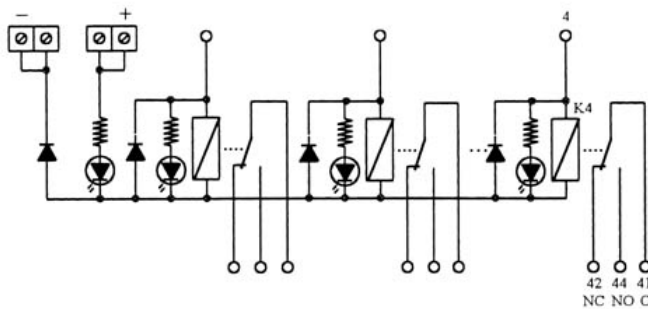
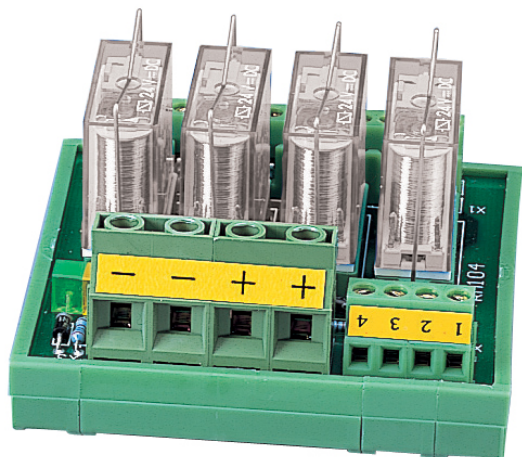


Interface Module / Relay Module Series



RM 104



Type		L	W	H
RM 104		78.5	87	64

Coil				
NC			1	
NO			1	
Rated Voltage			24V	
Rated Current			16A	
Max. breaking Voltage			400V AC	
Contact Material			Ag Cdo	
Suitable wire				