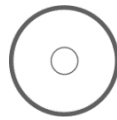


## Packing List

In addition to this guide, the package includes the following items:



VP-4238-CE7



Win-GRAF PAC & Software Utility CD



A SD/microSD adapter and microSD card



Touch Pen



Screw Driver



Panel clip \* 4



M4 x 30L Screw \* 4

## Resources

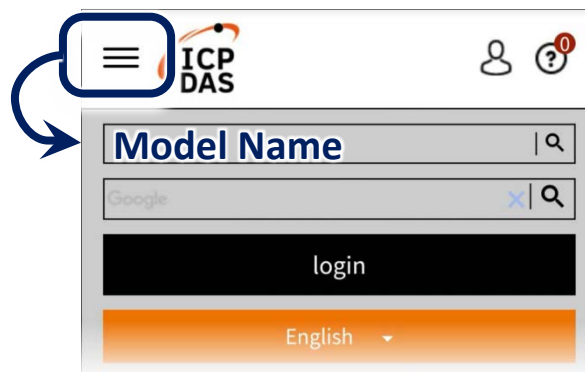
How to search for drivers, manuals and spec information on ICPDAS website.

## Technical Support

[service@icpdas.com](mailto:service@icpdas.com)

[www.icpdas.com](http://www.icpdas.com)

- For Mobile Web



- For Desktop Web

# 1 Setting up ViewPAC

- 1) Ensure that the rotary switch is set to the “0” position.
- 2) Connect the positive terminal (+) of the power supply to the terminal PWR and the negative terminal (-) of the power supply to the P.GND.



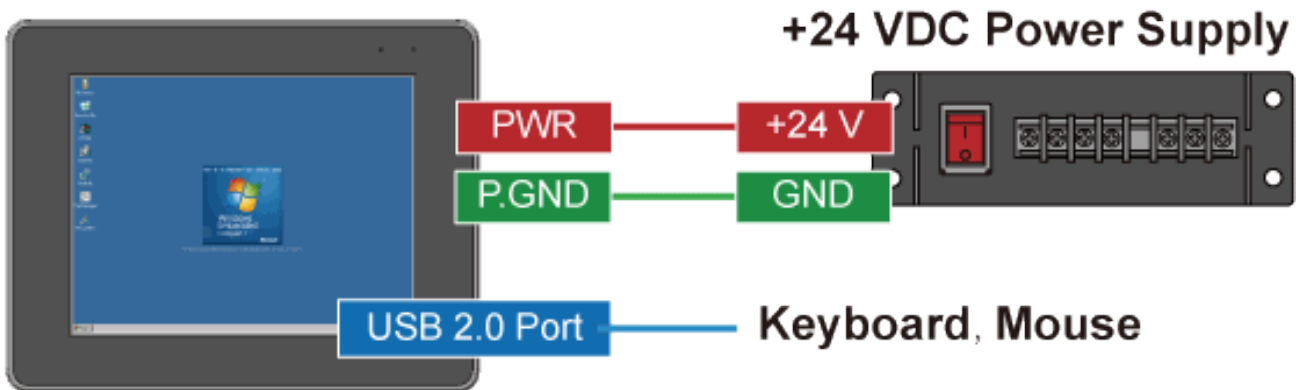
The input range of power supply is +12 to +48 V<sub>DC</sub>.

---

- 3) Connect the USB mouse or USB keyboard to the USB port.



The rotary switch must be placed in the “0” position



- 4) Turn on the ViewPAC.

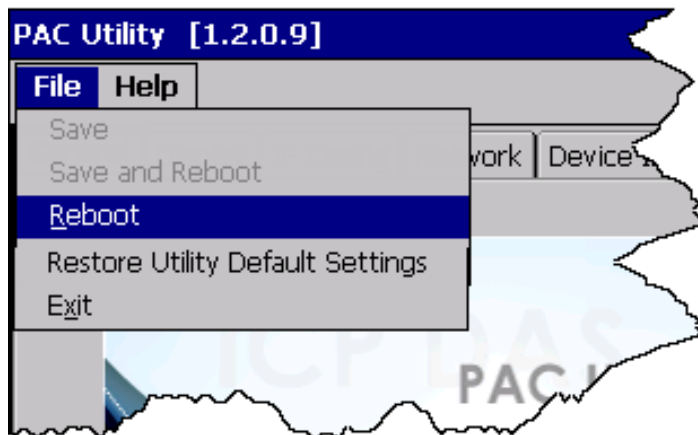
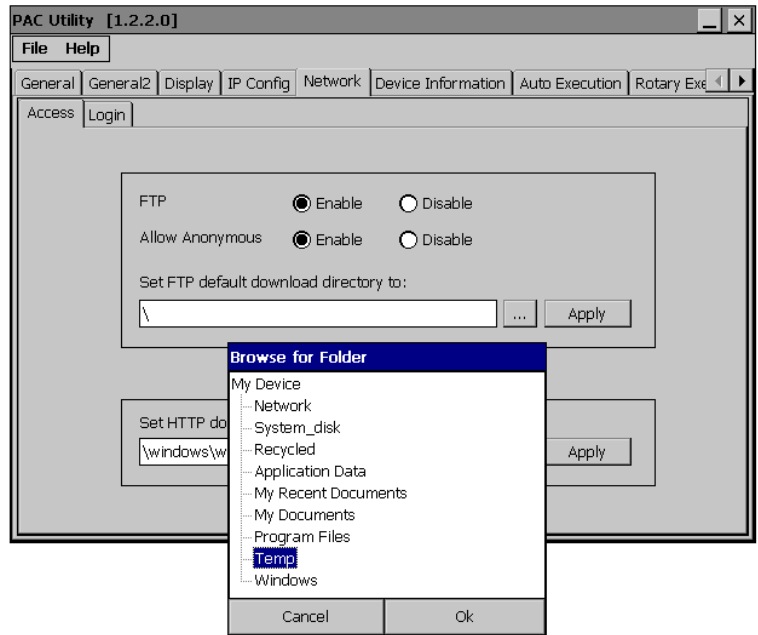
## 2 Using PAC Utility to Manage the ViewPAC

PAC Utility allows user quickly and easily manage and configure the ViewPAC.

1) Double-click the PAC Utility shortcut on the desktop.



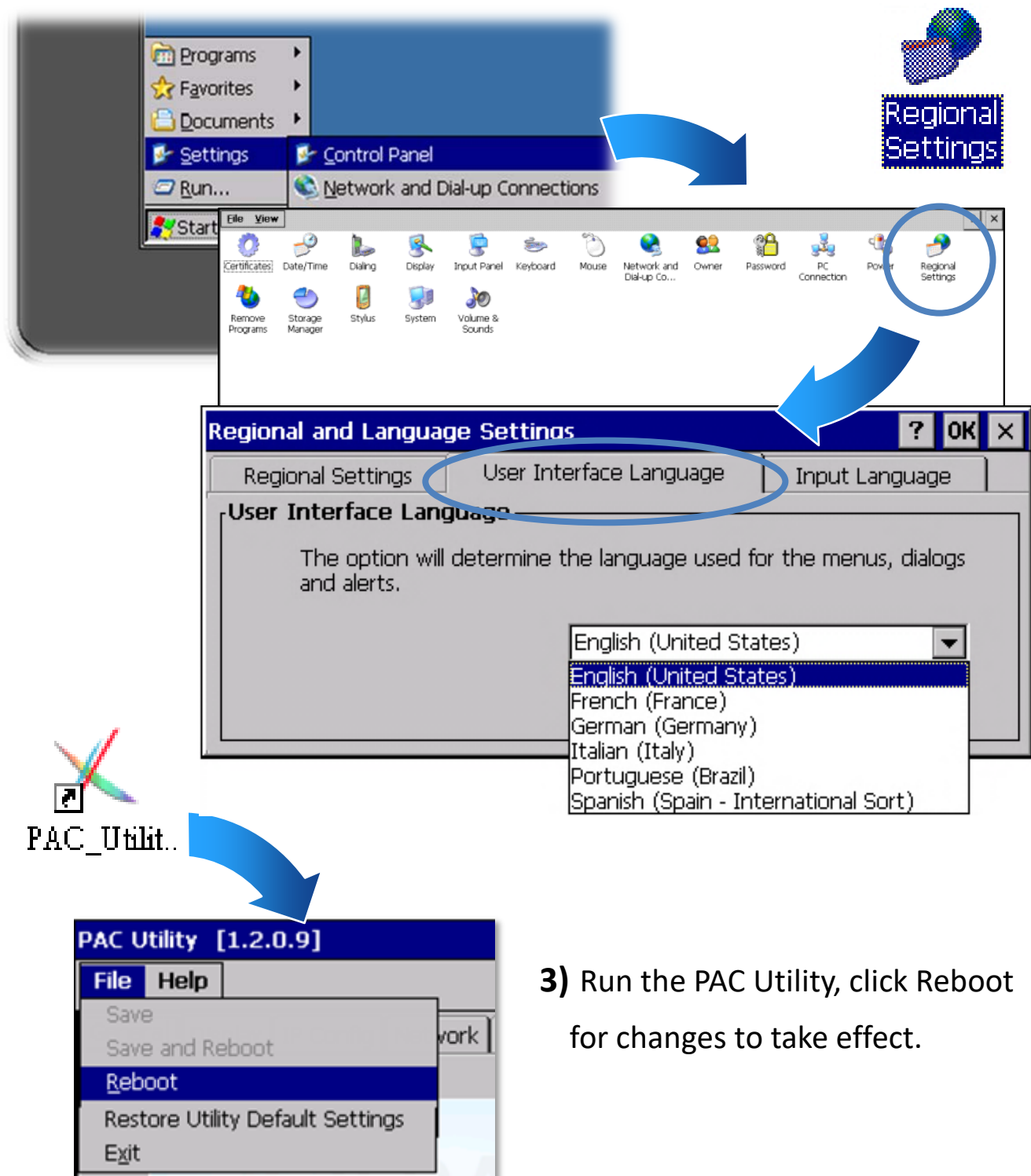
2) Configure IP address (DHCP),  
FTP Server, Auto Execution  
files, etc.



3) Reboot the ViewPAC for  
changes to take effect.

### 3 Changing the User Interface Language

- 1) Click Start menu, point to Settings, click Control Panel, and then click the Regional Settings.
- 2) Click User Interface Language tab, choose to your local language, and then click OK.



- 3) Run the PAC Utility, click Reboot for changes to take effect.