

TPD-280 Series Quick Start Guide

Version 1.0.8

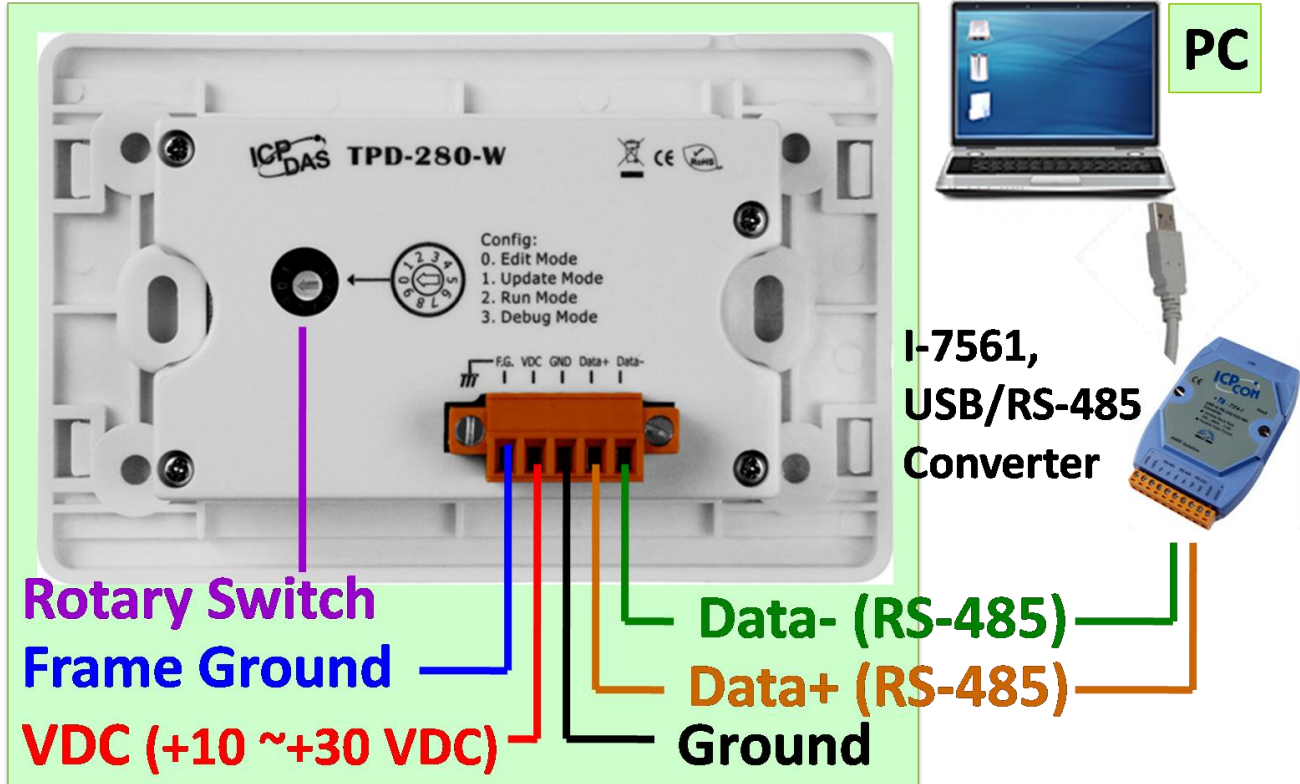
✉ E-mail: service@icpdas.com

FTP: <ftp://ftp.icpdas.com/pub/cd/touchpad/>



Wirings

- Data+ and Data- are signal pins in the RS-485 network
- VDC/GND are power (+10 ~ 30 VDC) and ground



Install HMIWorks

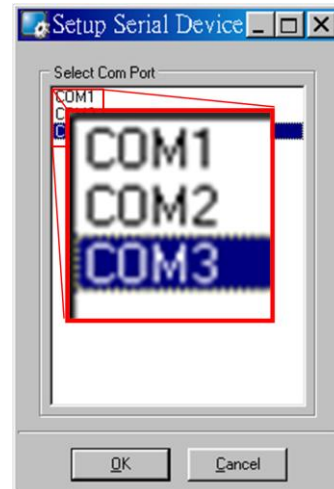
Follow the steps to install the HMIWorks.



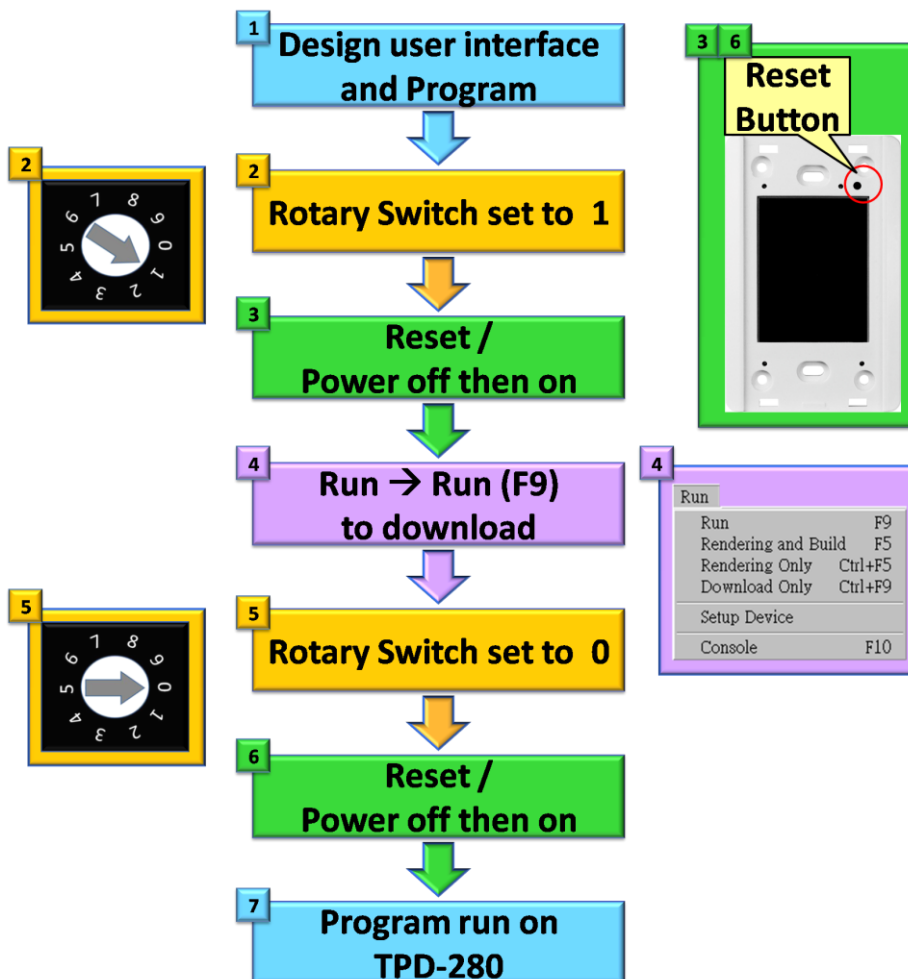
HMIWorks_Standard.exe
[HMIWorks Standard Edit

Setup Device

Before downloading programs to the TPD-280, be sure to setup TPD-280 first. Run HMIWorks_Standard.exe and click on the menu: **Run** → **Setup Device**. Simply choose com port then press OK.



TPD-280 Workflow



Integrate with I/O modules

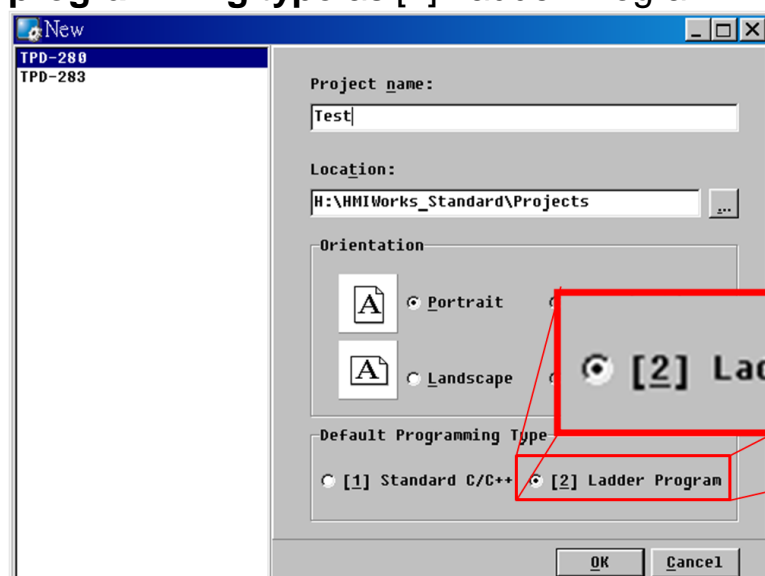
In this example, we use TPD-280 to control an I-7066, the 7-channel photo-MOS relay output module of ICP DAS. First, put I-7066 in the same RS-485 network of TPD-280 and configure I-7066 with DCON Utility.

0. Configure I-7066 Using DCON Utility

Download DCON Utility and its user manual on ftp://ftp.icpdas.com/pub/cd/8000cd/napdos/driver/dcon_utility/ Then configure I-7066 with DCON Utility. Mainly, Address(Net ID), Baudrate, Databit, Parity, Stopbit should be set.

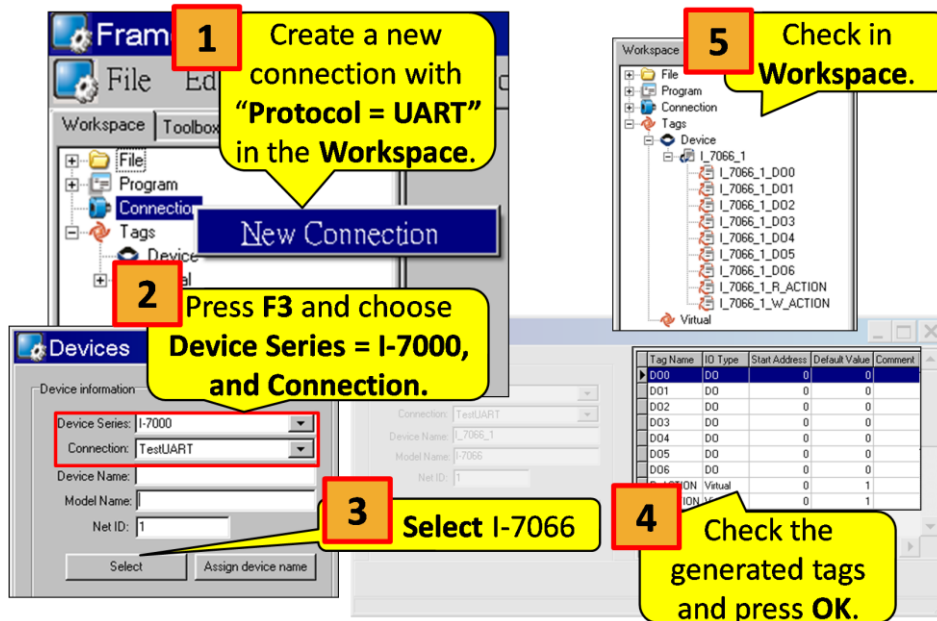
1. Create a New Project

Go to the menu: **File** → **New...**, and here we choose **programming type** as [2] Ladder Program.

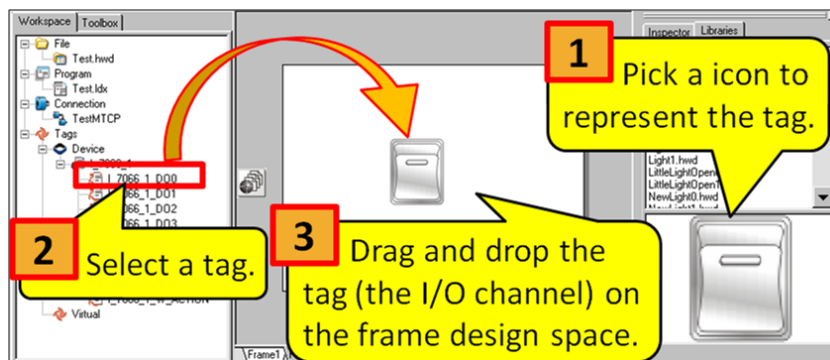


2. Register Device

Create a new connection first in the **Workspace**. And then press **F3** key to evoke the “**Devices**” window to register I-7066.



Then select the picture which represents the tag. Drag and drop the tag that is corresponding to the DO0 of I-7066 to the frame design space. On the frame design space, the picture you just pick is now on the frame.



3. Setup Device

Go to the menu **Run** → **Setup Device**. Refer to previous section for details.

4. Compile and Download to Run

After connecting to TouchPAD, press **F9** to run (or **Run** → **Run**).

As the following figure shows, pressing the button changes the output of channel 0 of the I-7066.

