

1

What's on your package?

- One PIO-D144/168 card
- One companion PCI CD V 3.5
- One Quick Start Guide(this document)

2

Installing Windows Driver

Follow those steps:

I. Setup the Windows driver.

You can get the driver from:

CD:\NAPDOS\PCI\PIO-DIO\dll_ocx\Driver

http://ftp.icpdas.com/pub/cd/iocard/pci/napdos/pci/pio-dio/dll_ocx/driver/



Windows driver only support windows 98/NT/2000 and XP/2003/Vista 32-bit version.

- II. Click button to start installation.
- III. Click button to install driver into the default folder.
- IV. Click button to continue installation.
- V. Click button to reboot the PC.

3

Installing Hardware on PC

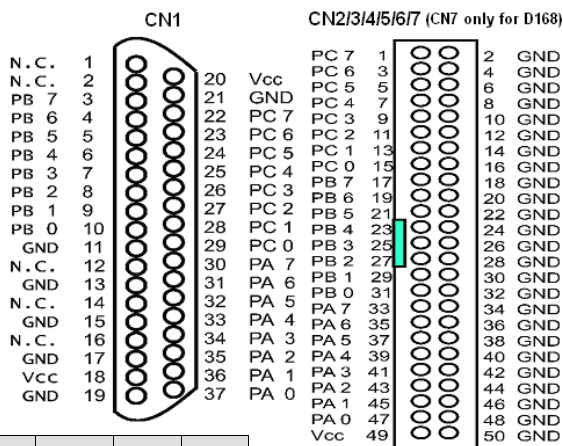
Follow those steps:

- I. Shut down your computer
- II. Remove all covers from the computer
- III. Select an unused PCI slot
- IV. Carefully insert your I/O card into the PCI slot
- V. Replace the PC cover
- VI. Power on the computer

After powering-on the computer and the Plug&Play steps finished.

4

Pin Assignments



Port No.	PA0-7	PB0-7	PC0-7
CN1	Port 0	Port 1	Port 2
CN2	Port 3	Port 4	Port 5
CN3	Port 6	Port 7	Port 8
CN4	Port 9	Port 10	Port 11
CN5	Port 12	Port 13	Port 14
CN6	Port 15	Port 16	Port 17
CN7 (D168 only)	Port 18	Port 19	Port 20



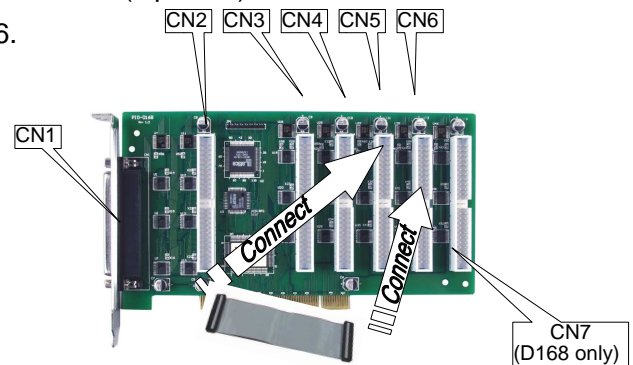
All Signals are TTL compatible.

TTL Range	
High(1)	Over 2.0V (But ,Over 5.0V will damage the device)
None Define	2.0V~0.8V
Low(0)	Under 0.8V

5

Self-Test

I. Use CA-5002(Optional) to connect the CN5 with CN6.



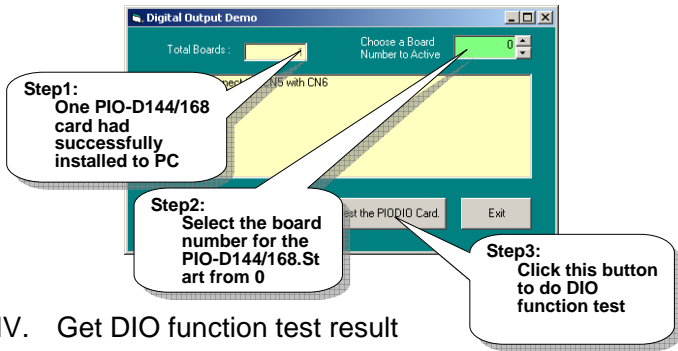
II. Run the DIO sample program.

Get the zipped file from:

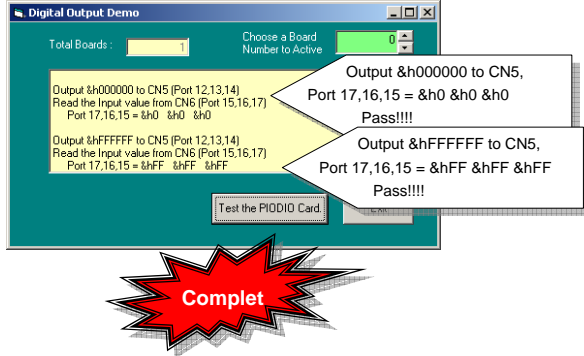
CD:\NAPDOS\PCI\PIO-DIO\dll_ocx\Demo

http://ftp.icpdas.com/pub/cd/iocard/pci/napdos/pci/pio-dio/dll_ocx/demo/

III. Check number of the PIO-D144/168, and test DIO function



IV. Get DIO function test result



6 Additional Information

- ✓ PIO-D144/168 Card Product page:
http://www.icpdas.com/products/DAQ/pc_based/pio_d144.htm
http://www.icpdas.com/products/DAQ/pc_based/pio_d168.htm
- ✓ CA-5002(Optional) page:
http://www.icpdas.com/products/Accessories/cable/cable_selection.htm
- ✓ Documents:
 CD:\NAPDOS\PCI\PIO-DIO\manual
 CD:\NAPDOS\PCI\Manual
<http://ftp.icpdas.com/pub/cd/iocard/pci/napdos/pci/pio-dio/manual/>
- ✓ Software:
 CD:\NAPDOS\PCI\PIO-DIO\
<http://www.icpdas.com/download/pci/piodio/index.htm>

The ICP DAS Web Site

<http://www.icpdas.com>



Contact Us

- Technical support
- Supplies and ordering information
- Ways to enhance your device
- FAQ
- Application story

Service@icpdas.com

Copyright ©2008 by ICP DAS Co., Ltd. All right are reserved