

HA-401 Quick Start

January 2016, Version 1.0.0

What's In the Box?

The package includes the following items:



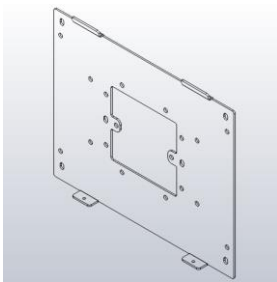
HA-401



Software Utility CD



Screw Driver



Fixed Wall Mount
for Indoor Host (10.1")



M3 X 5L Screw * 2



M4 X 12L
Self-tapping Screw * 4

Technical Support

- **HA Website**

http://www.icpdas.com/root/product/solutions/ba_ha/ha-401.html

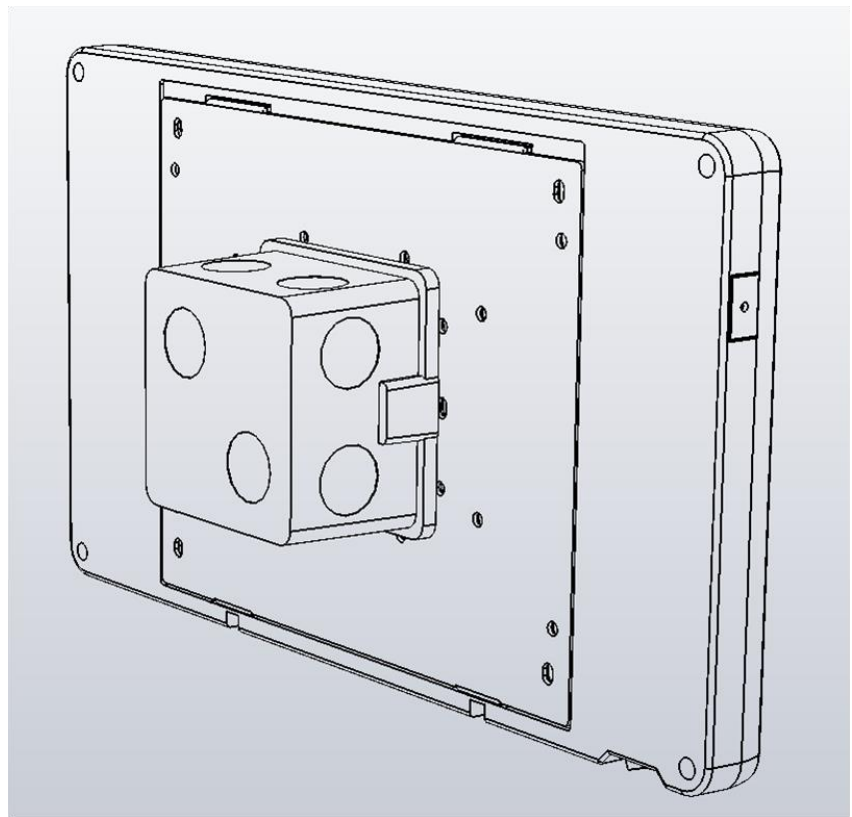
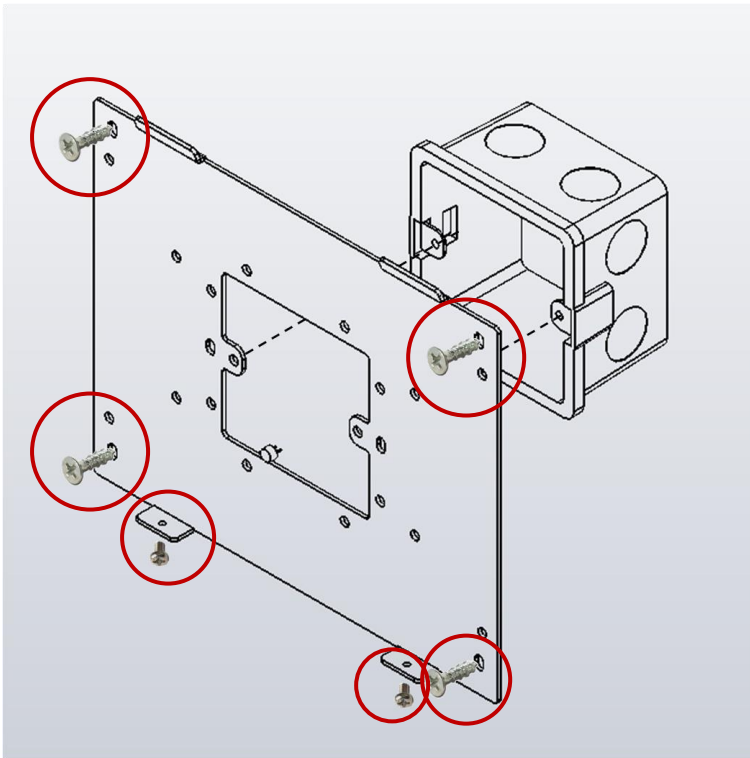
- **HA User Manual**

ftp://ftp.icpdas.com/pub/cd/ha_series/user_manual/

- **ICP DAS Website**

<http://www.icpdas.com/>

Mounting the Hardware:



Software Installation:

Creator provides an easy-to-use **Graphical User Interface (GUI)** and diverse objects to integrate into HMI applications without coding for developing customized HA-401.

Creator allows users to design their own HMI screens, go to the FTP to get the latest version of the software.

<http://ftp.icpdas.com/pub/cd/smartview/tools/creator/>

Creator Website

<http://www.icpdas.com/root/product/solutions/software/creator/creator.html>

Creator User Manual

<http://www.icpdas.com/root/product/solutions/software/creator/download.html>

(Refer the user manual to install the Creator on your PC.)

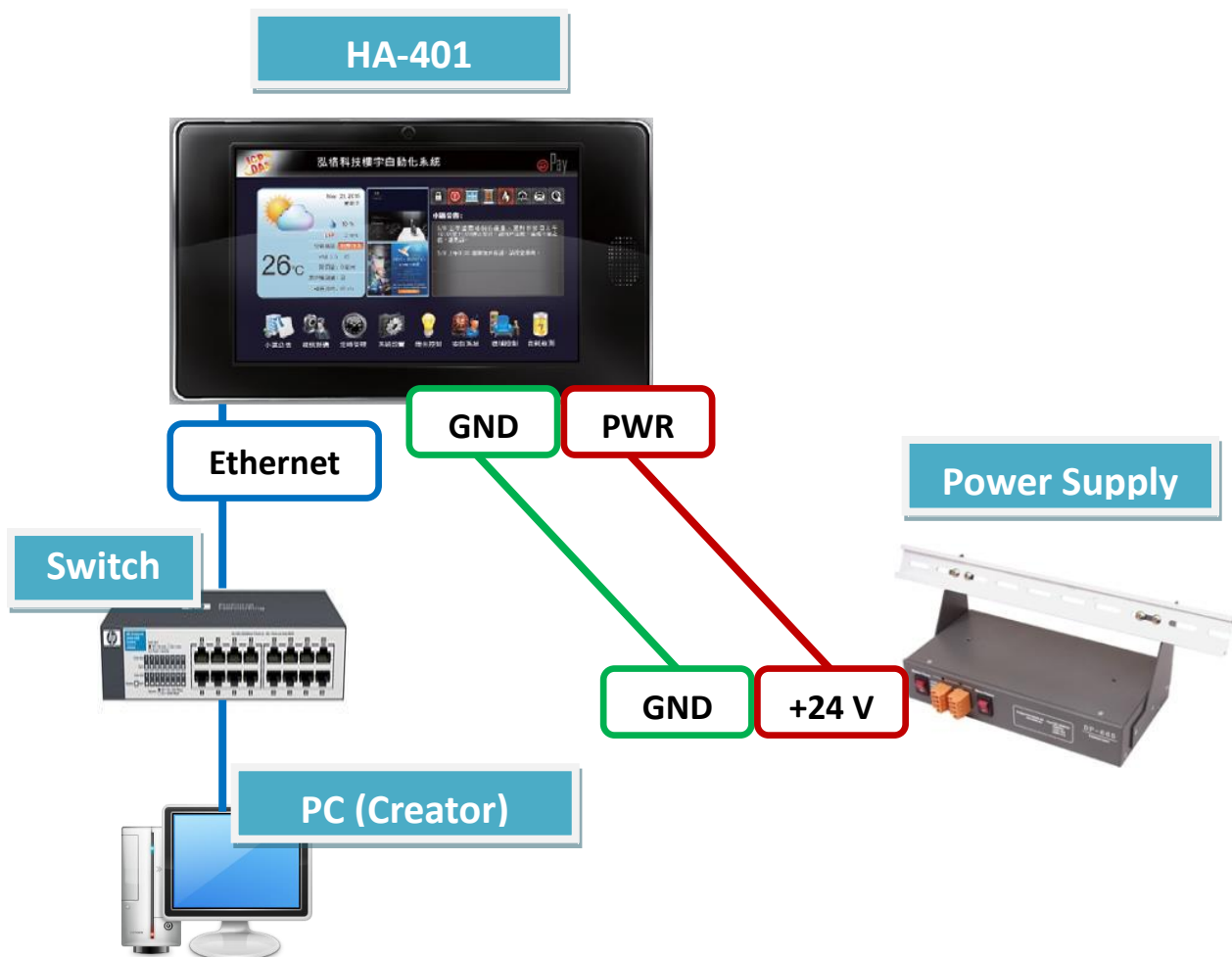
1. Connecting the PC and Basic Operations

Connect the HA-401 and the PC

- 1) Connect the positive terminal (+) of the power supply to the terminal PWR and the negative terminal (-) of the power.

Notice: The input range of power supply is : +12 ~ +48 V_{DC}

- 2) Connect the HA-401 and the PC by using Ethernet cable.
(You can use an Ethernet Switch if necessary.)



Basic Operations

Turn on the HA-401, and the HMI screen will show as below after completing the start procedure:



To go to the main screen, holding on the A position and then move to B position.

- (1) Click the “Run Project” button to go back to the Home screen.
- (2) Click the “Control Panel” button to go to the configuration screen.

(For more details about the settings, refer the Creator user manual.)

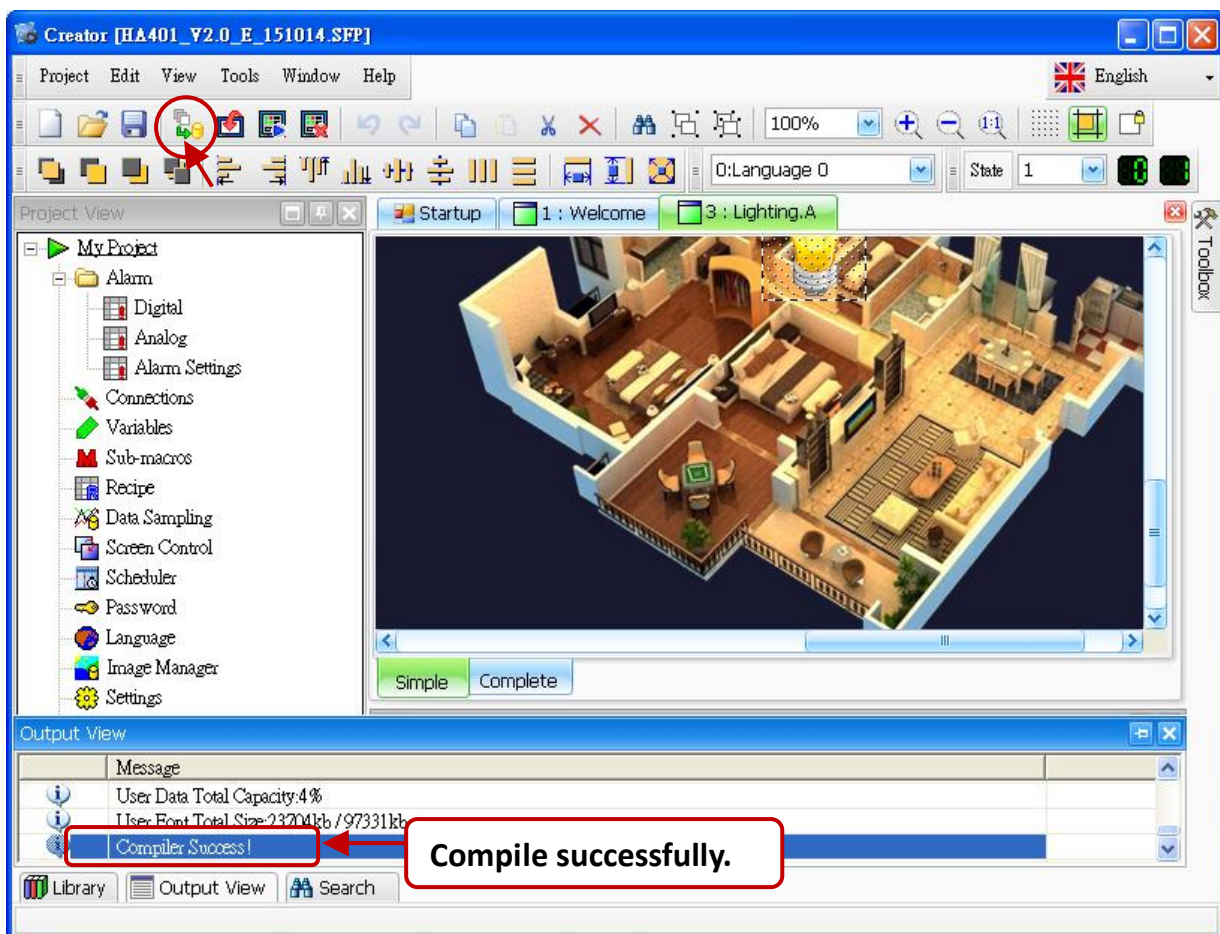


2. Download the Project

Users can design their own HMI pages by using the Creator, and then download the Creator project to the HA-401.

Compile a Project

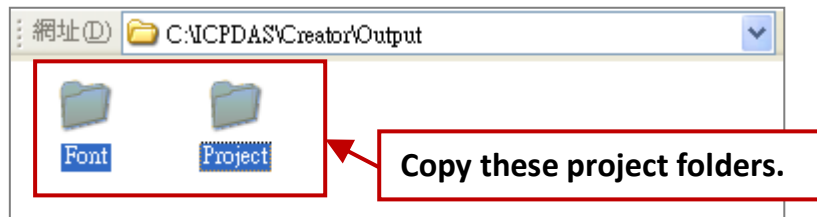
Before uploading, click the “Compiler” button to compile the project. After doing this, the “Output View” window below will show “Compiler Success!”.



Upload a Project

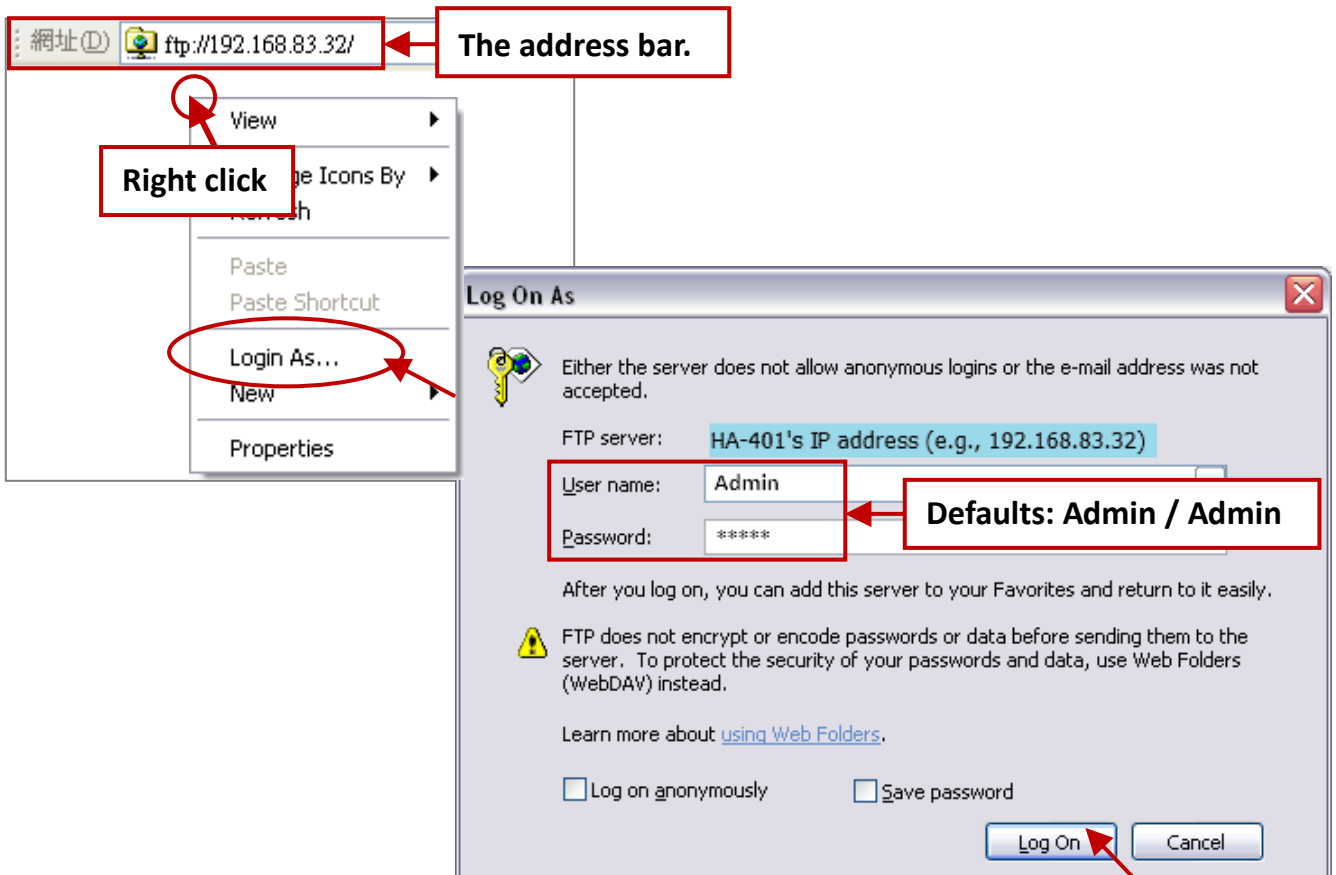
In the further version, the **Creator** will provide the upload function for the HA-401. Now, follow these steps to upload a project to the HA-401 by using FTP.

1. Copy these project folders (i.e., “Font” and “Project”) in the path **C:\ICPDAS\Creator\Output** on your PC.

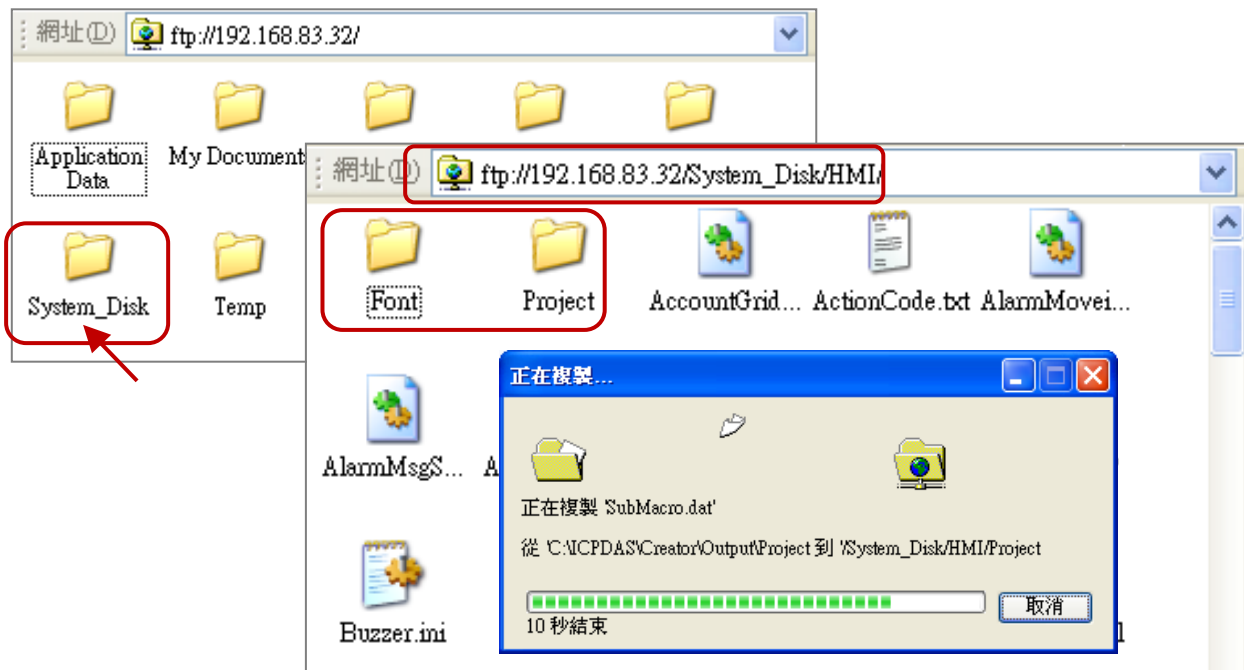


Login to FTP

2. Open any folder and enter “ftp://HA-401’s IP address” (e.g., ftp://192.168.83.32) in the address bar. (See the IP Config setting in the Control Panel)
3. Right-click in the white area and choose “Login As...”, and then enter the username and password (Defaults: Admin / Admin). Then, click the “Log On” button.



4. After logging into the HA-401. Paste the copied Creator project folders in the Step 1 (“Font” and “Project”) to the path **/System_Disk/HMI/** in the HA-401.

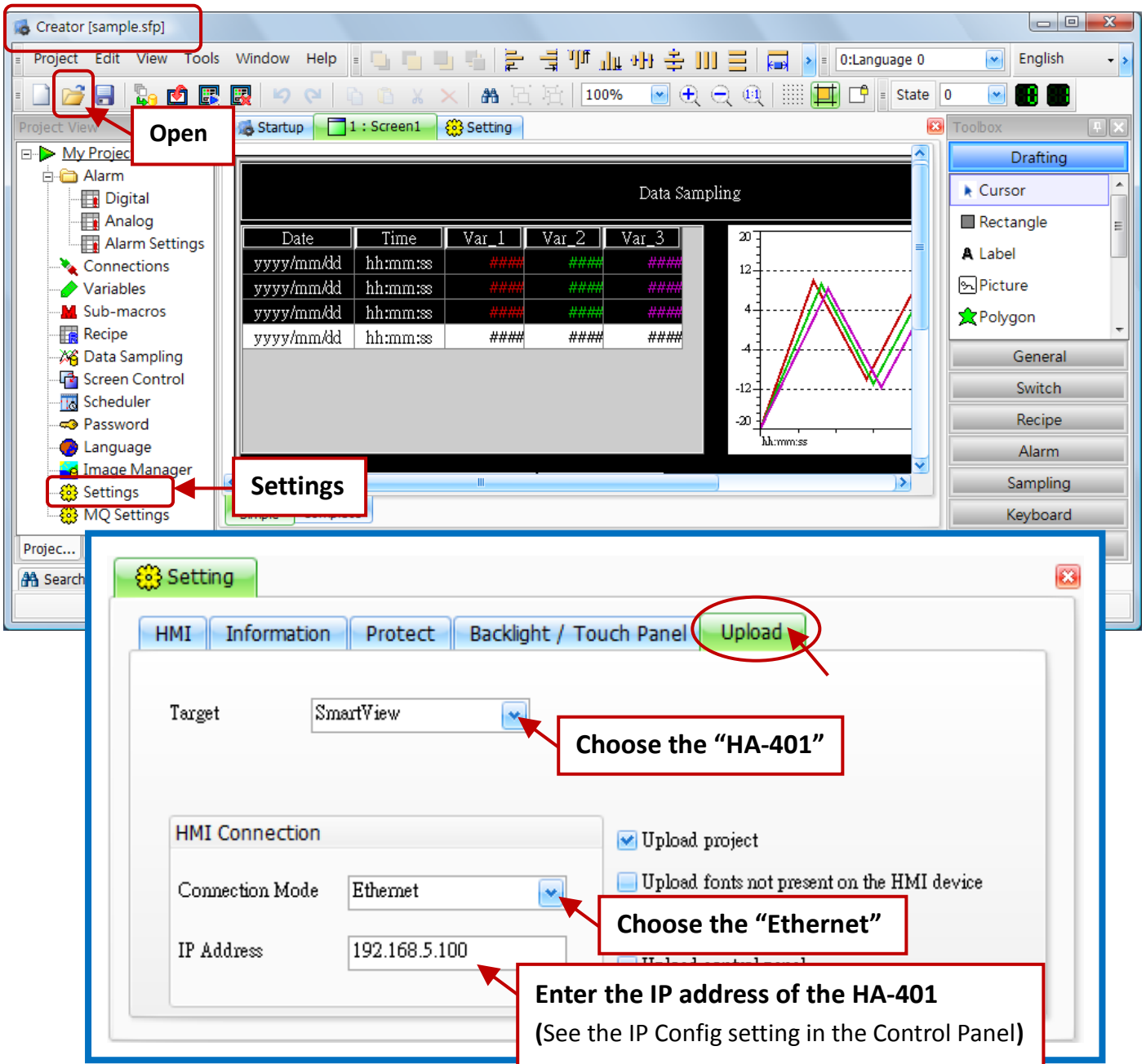


Using the Creator to Download the Demo Project

Users can design their own HMI pages by using the Creator, and then download the Creator project to the HA-401. Now, we using the demo project (sample.sfp) as an example for the descriptions, the user can visit the Creator website to download files.

<http://www.icpdas.com/root/product/solutions/software/creator/download.html>

1. Run the Creator and click the **“Open”** button to open the demo project (sample.sfp).
2. Mouse double-click on the **“Settings”** item to configure the connection settings.



3. Click the **“Compiler”** button to compile the program.
4. Click the **“Upload”** button to download the project to the HA-401.
(After downloading, the HA-401 will automatically run the project.)

