



Making Data Acquisition Easy

CAGE/NCAGE CODE: 3FNFO

I-7520 RS-232 to RS-485 Converter Quick Start Guide

Product:

http://www.icpdas-usa.com/i_7520.html

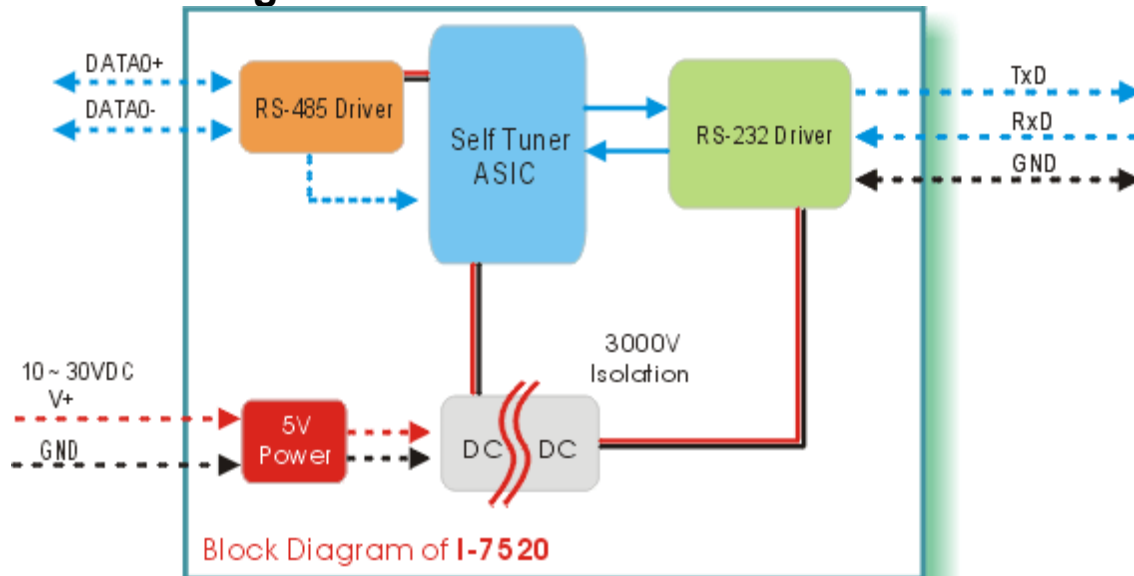
1. Pin Assignment and Specifications



7520: RS-232 to RS-485 Converter

- Protocol: Differential 2-wire half-duplex RS-485
- Connector: plug-in screw terminal block
- Speed: "Self Tuner" inside, auto switching baud rate, from 300 to 115200 bps
- 256 modules max in one RS-485 network without repeater
- 2048 modules max in one RS-485 network with repeater
- Isolation voltage: 3000V
- Isolation site: RS-232
- Repeater request: 4,000 feet or over 256 modules
- Power requirements: +10V dc ~ +30V dc
- Power consumption: 0.05A@24V; Max

2. Block Diagram





Making Data Acquisition Easy

CAGE/NCAGE CODE: 3FNFO

3. Wiring Connection





Making Data Acquisition Easy

CAGE/NCAGE CODE: 3FNFO

RS 485 wire connection.

GND ↔ Ext. Power GND
 +VS ↔ Ext. Power 10V-30V
 Data- ↔ Data-
 Data+ ↔ Data+

RS 232 wire connection

Host pin2 (RXD) ↔ 7520_Pin2
 Host pin3 (TXD) ↔ 7520_Pin3
 Host pin5 (GND) ↔ 7520_Pin5

