



Making Data Acquisition Easy

CAGE/NCAGE CODE: 3FNFO

I-7067

7 Channel Relay Output Data Acquisition Module with Form A Relay Outputs

Quick Start Guide

Product Website:

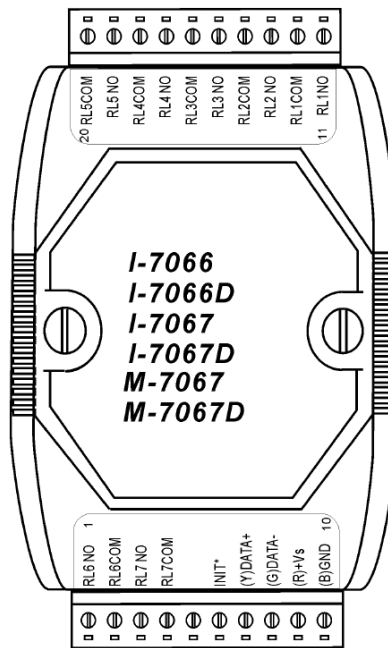
http://www.icpdas-usa.com/i_7067_i_7067d.html

http://www.icpdas-usa.com/dcon_utility_pro.html

1. Introduction

I-7067 is a 7-channel Relay Output Data Acquisition Module for signal conditioning system monitoring. Providing safe value settings, I-7067 is a cost-effective solution for a wide range of industrial control signals and systems. The DCON utility can help users to configure and test I-7067 Relay Output module. The various library functions and demo programs it provides makes it easy for users to develop programs in Windows, Linux and DOS operating systems. I-7067 communicates over Modbus protocol via RS-485. Users can mount the module on a DIN rail, panel or wall. Modules have a screw-terminal block to connect to the signals. The I-7067 relay output data acquisition module can be used in various applications such as industrial automation and control, factory automation, remote monitoring, etc.

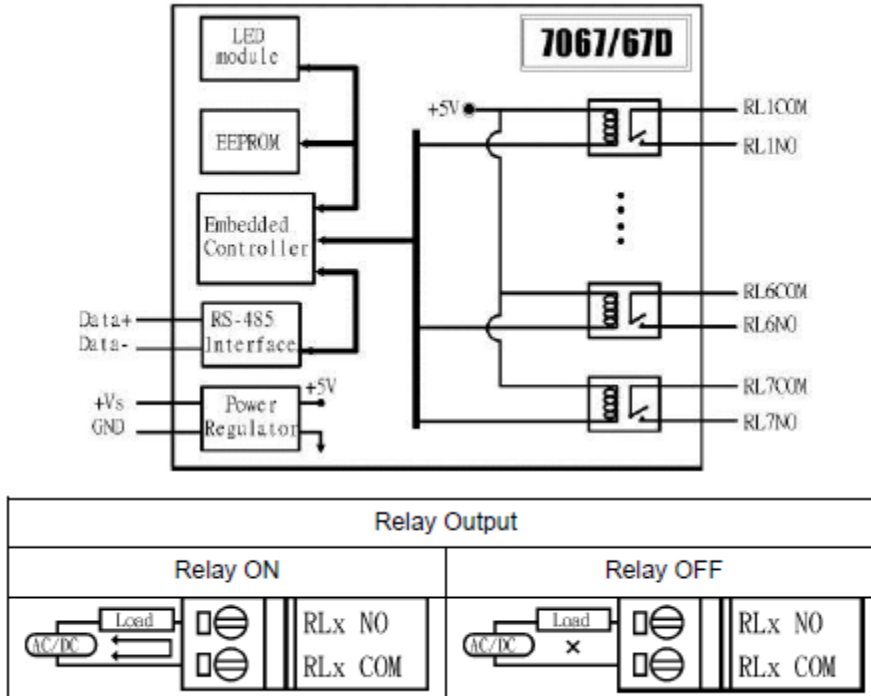
2. Terminal Assignment



I-7067 - 7 Channel Relay Output DAQ Module - QuickStart (Feb/2016)

ICP DAS USA, Inc. | www.icpdas-usa.com | 1-310-517-9888 | 24309 Narbonne Ave. Suite 200. Lomita, CA 90717

3. Block/ Wiring Diagram



4. Default Settings

- Module Address: 01
- DIO Type: Type 40
- Baud Rate: 9600 bps
- Checksum disabled
- J3 set to INIT mode enabled



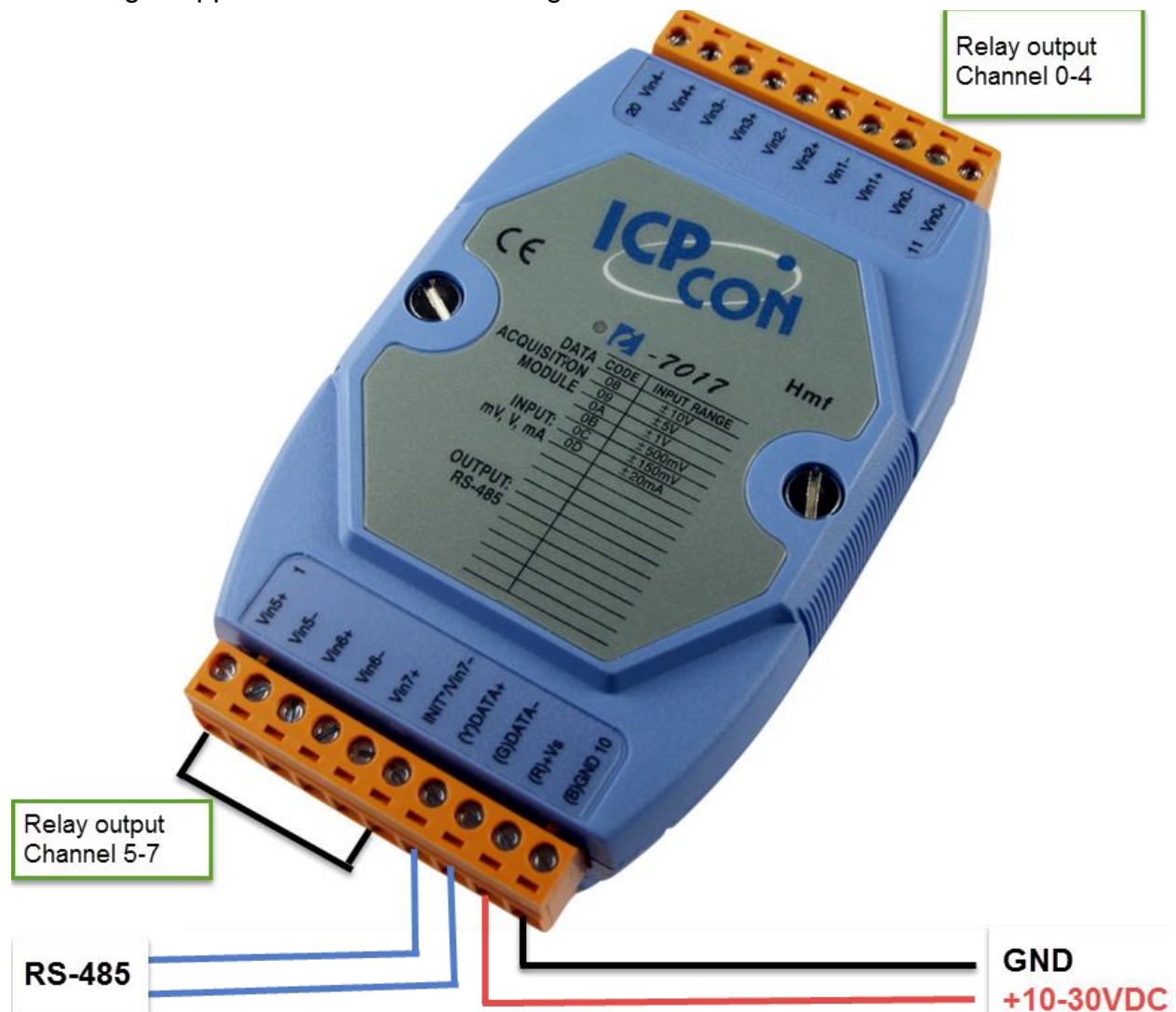
Making Data Acquisition Easy

CAGE/NCAGE CODE: 3FNFO

5. Configuration

To install the module, follow the steps below:

1. Connect the relay output.
2. Connect the module to the RS-485 network using the DATA+ and DATA- terminals. If the host is only equipped with an RS-232 interface, then an RS-232 to RS-485 converter will be required.
3. Connect the module to the power supply using the +Vs and GND terminals. Note that the voltage supplied should be in the range of +10 to +30V DC.



I-7067 - 7 Channel Relay Output DAQ Module - QuickStart (Feb/2016)

ICP DAS USA, Inc. | www.icpdas-usa.com | 1-310-517-9888 | 24309 Narbonne Ave. Suite 200. Lomita, CA 90717



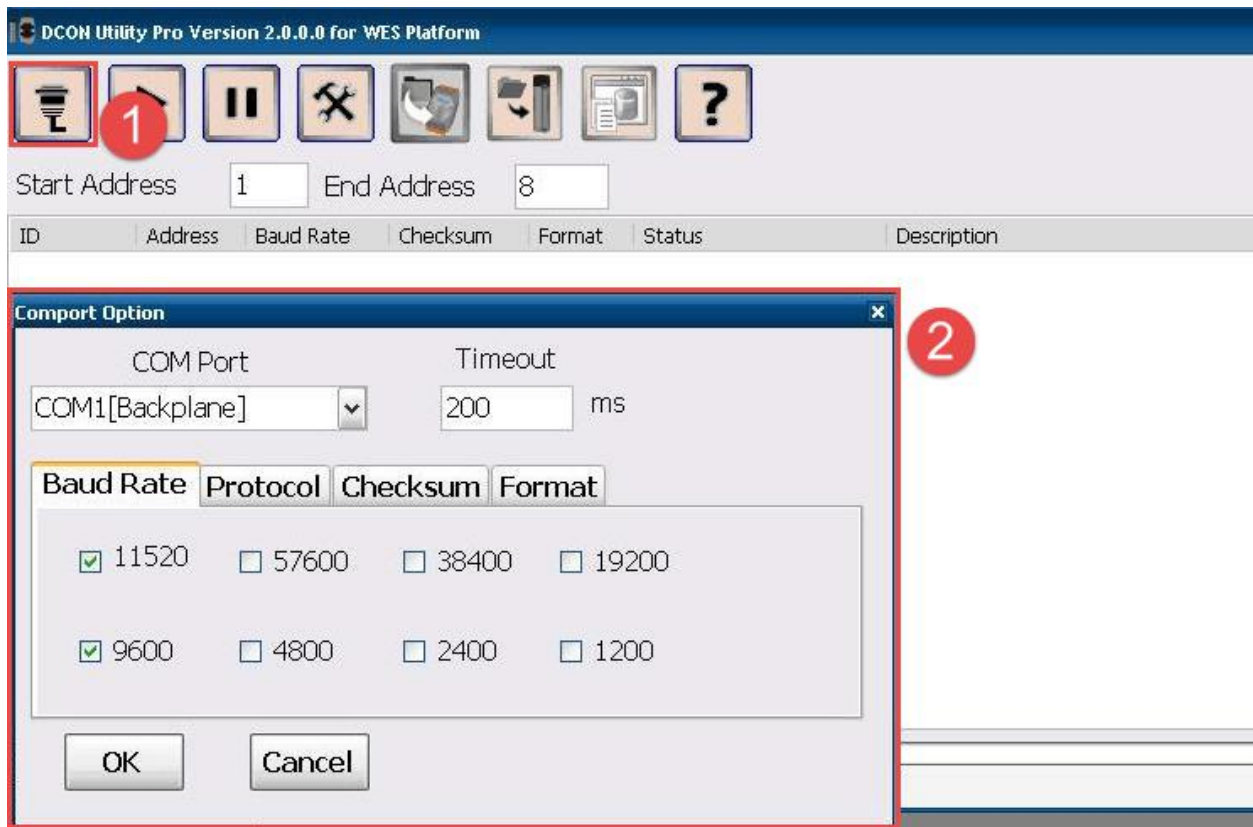
Making Data Acquisition Easy

CAGE/NCAGE CODE: 3FNFO



4. Open DCON utility pro

- 1 click on COM port(first icon).
- 2 It can select multi-options such as Baud Rate, Protocol, Checksum, and Format to search module. The default settings for the module can be found in Section 3. Click OK after selecting the COM port setting.

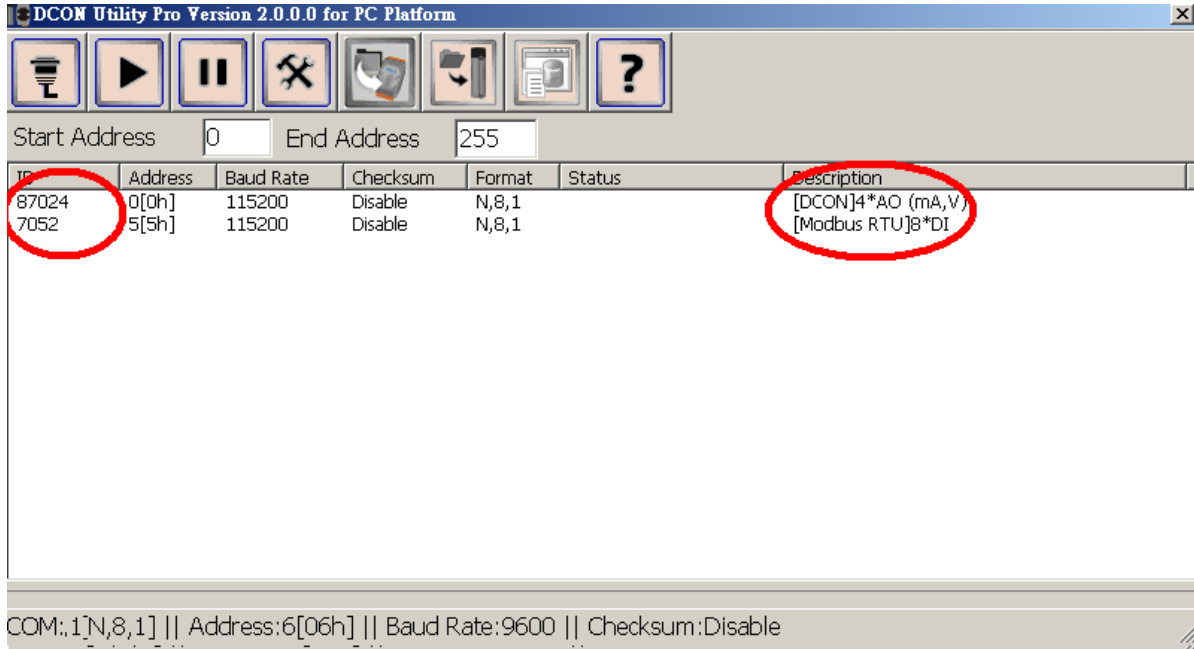




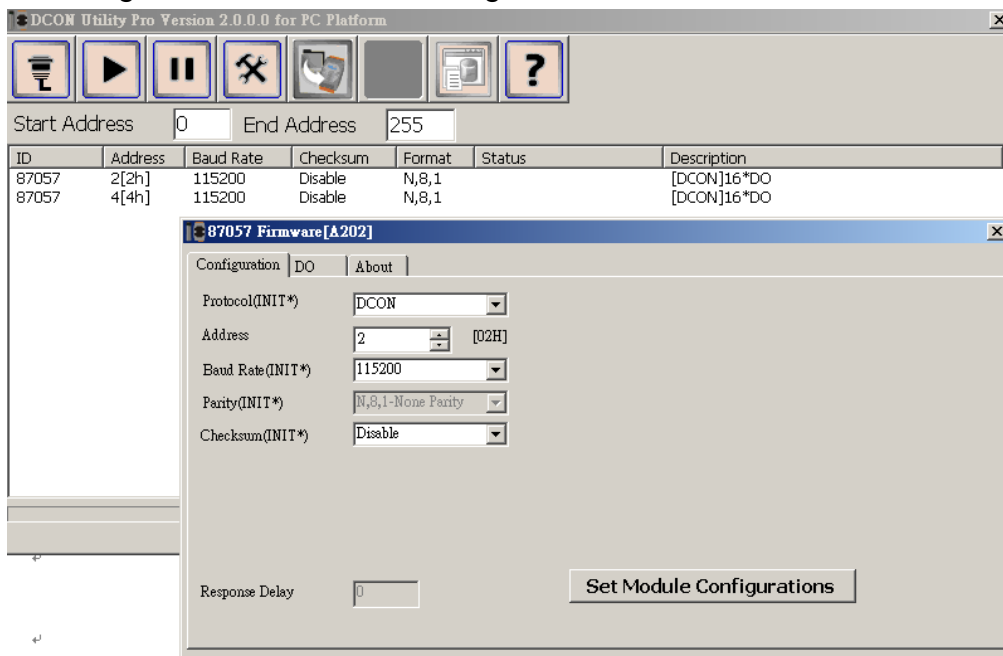
Making Data Acquisition Easy

CAGE/NCAGE CODE: 3FNFO

5. DCON utility pro will search for the selected COM port according the setting previously set. DCON Utility Pro supports DCON and Modbus protocol for all ICPDAS and the others modules.



6. Configuration I/O module setting on PC

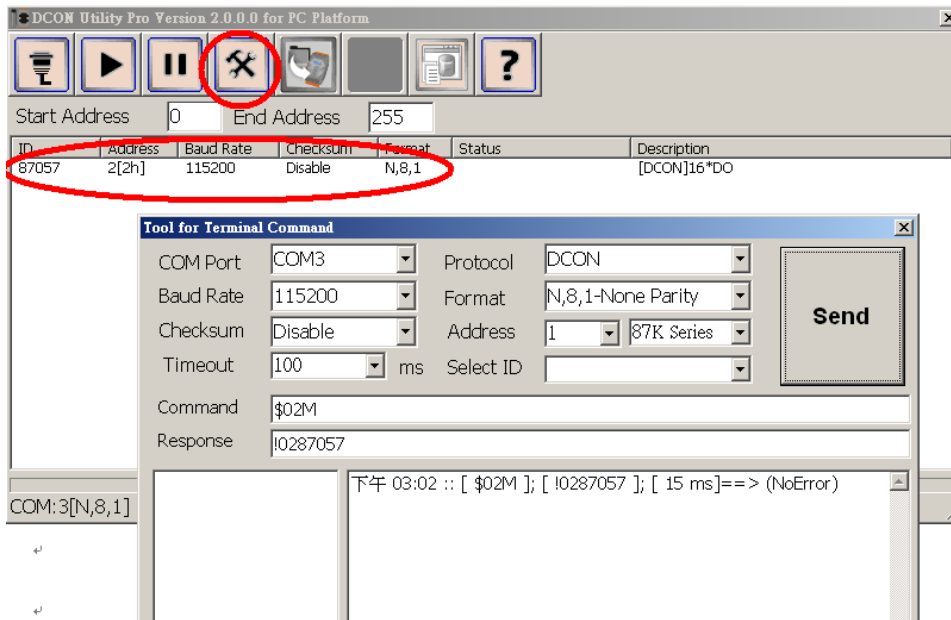




7. For I-7000 modules, DCON utility pro terminal can send command to the module. See user manual Sections 2 for details command.

Configure the module: sending the %AANNTTCCFF command. See user manual Section 2 for details.

Read data from the input channels: send either the #AA or #AAN command to the module.



8. If user doesn't know command, user can select Address and ID, it will show some refer commands as below. User can select necessary command to test or debug modules.



Making Data Acquisition Easy

CAGE/NCAGE CODE: 3FNFO

