

Home	About Company	Products	Download	Distributors	Partners	Training	Activity	Catalog
				Certification	Application Stories	FAQ	News & Events	

I-87053W Hardware



Internal I/O Structure

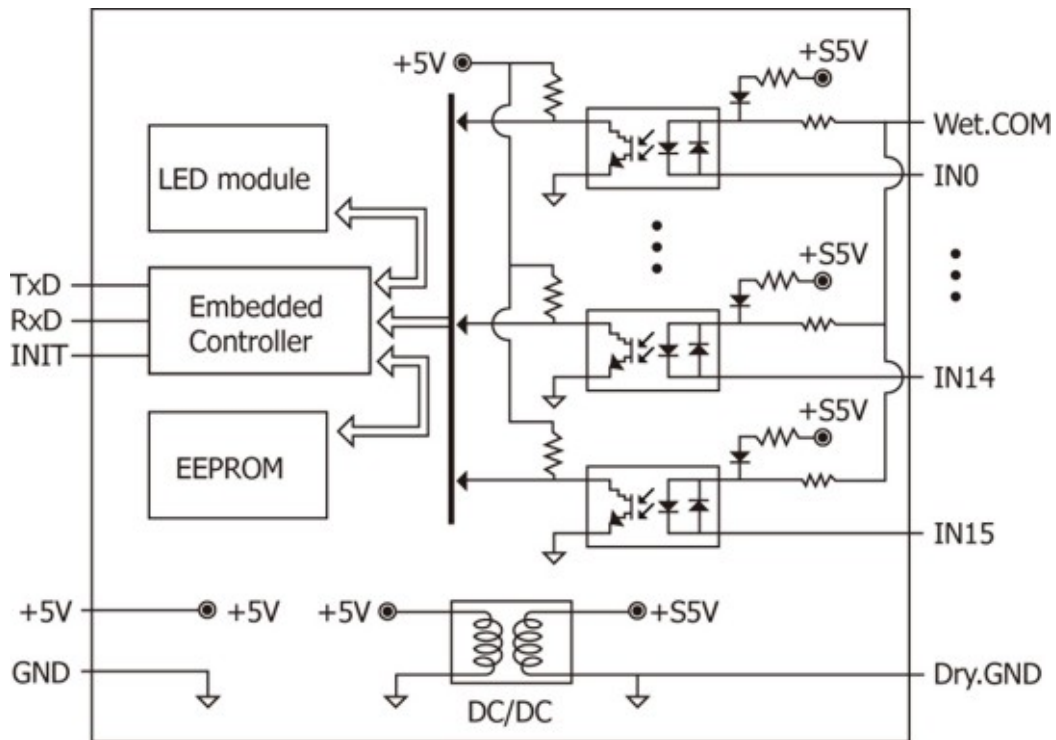


PIN Assignment



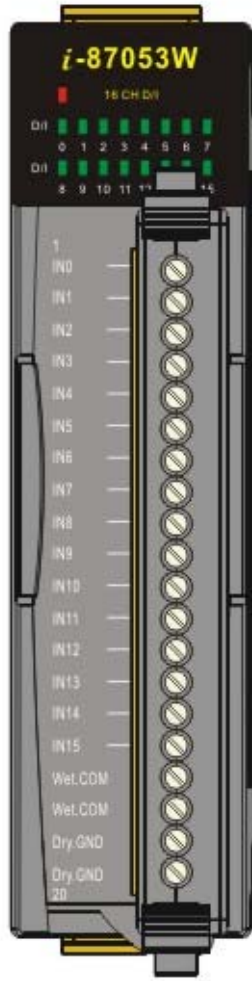
Wire Connection

Internal I/O Structure



[back](#)

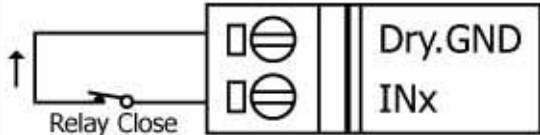
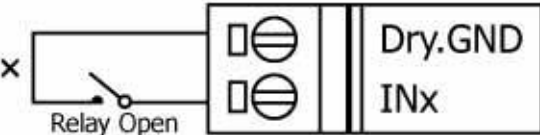
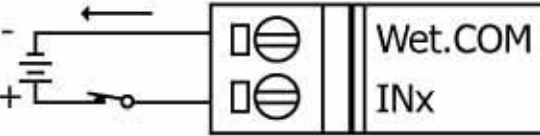
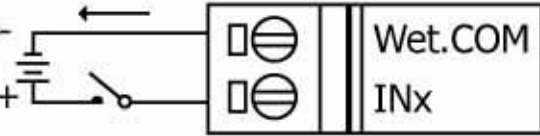
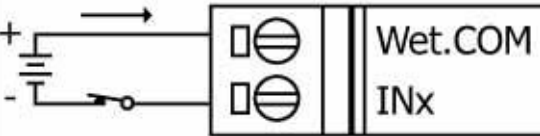
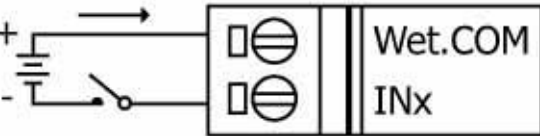
PIN Assignments



Terminal No.	Pin Assignment
01	IN0
02	IN1
03	IN2
04	IN3
05	IN4
06	IN5
07	IN6
08	IN7
09	IN8
10	IN9
11	IN10
12	IN11
13	IN12
14	IN13
15	IN14
16	IN15
17	Wet.COM
18	Wet.COM
19	Dry.GND
20	Dry.GND

[back](#)

Wire Connection

Input Type	On State, LED On Readback as 1	Off State, LED Off Readback as 0
Dry Contact	Relay On	Relay Off
		
Wet Contact (Source)	Voltage > 3.5V	Voltage < 1V
		
Wet Contact (Sink)	Open Collector On	Open Collector Off
		

[back](#)

Copyright© ICP DAS Co., Ltd. All Rights Reserved