

### I-87042W Hardware



Internal I/O Structure

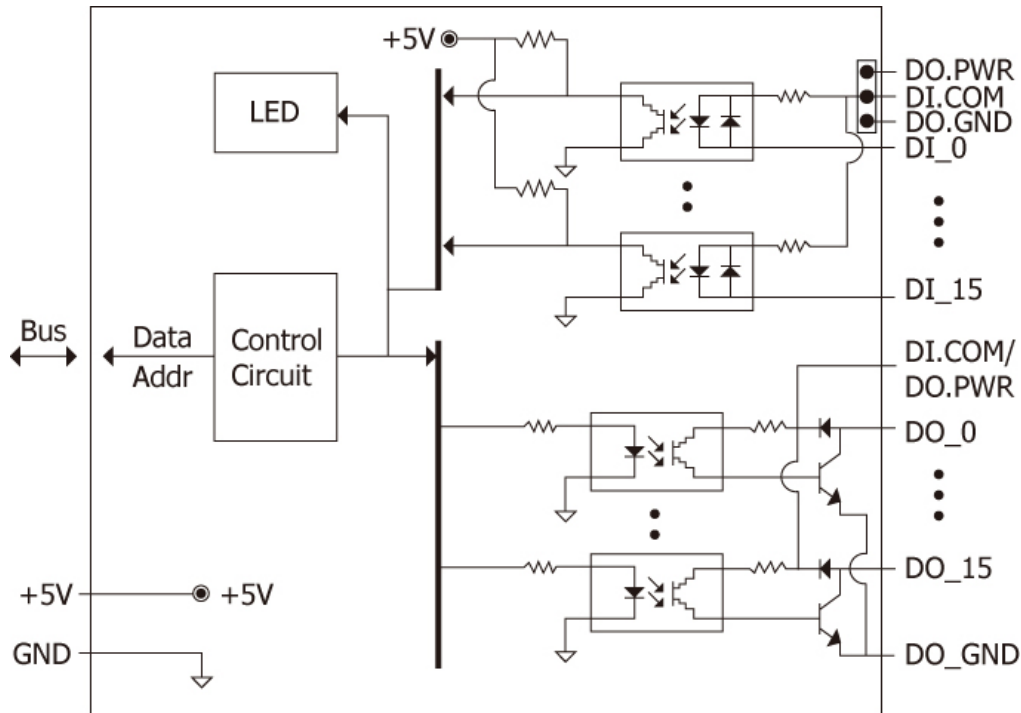


PIN Assignment



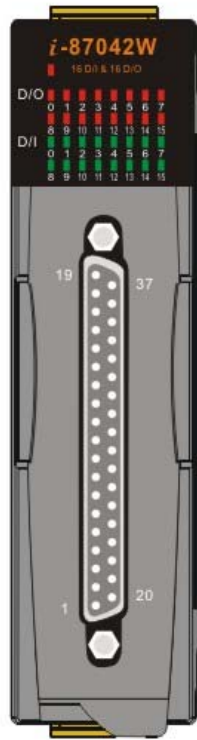
Wire Connection

#### Internal I/O Structure



[back](#)

#### PIN Assignments



Pin Assignment	Terminal No.	Pin Assignment
DI.COM/DO.PWR	19	37 DI.COM/DO.PWR
DO.GND	18	36 DO.GND
DO.GND	17	35 DO_15
DI_15	16	34 DO_14
DI_14	15	33 DO_13
DI_13	14	32 DO_12
DI_12	13	31 DO_11
DI_11	12	30 DO_10
DI_10	11	29 DO_9
DI_9	10	28 DO_8
DI_8	09	27 DO_7
DI_7	08	26 DO_6
DI_6	07	25 DO_5
DI_5	06	24 DO_4
DI_4	05	23 DO_3
DI_3	04	22 DO_2
DI_2	03	21 DO_1
DI_1	02	20 DO_0
DI_0	01	

37-pin male D-Sub Connector

[back](#)

Wiring

Select Type		
	Source Type	Sink Type
Input Type	ON State LED ON Readback as 1	OFF State LED OFF Readback as 0
	Relay ON	Relay OFF
Relay Contact (Sink)		
	Voltage > 3.5 V	Voltage < 1 V
TTL/CMOS Logic (Sink)		
	Open Collector ON	Open Collector OFF
NPN Output (Sink)		
	Open Collector ON	Open Collector OFF
PNP Output (Sink)		

Input Type	ON State LED ON Readback as 1	OFF State LED OFF Readback as 0
Relay Contact (Source)	Relay ON 	Relay OFF 
TTL/CMOS Logic (Source)	Voltage > 3.5 V 	Voltage < 1 V 
NPN Output (Source)	Open Collector ON 	Open Collector OFF 
PNP Output (Source)	Open Collector ON 	Open Collector OFF 
Output Type	ON State LED ON Readback as 1	OFF State LED OFF Readback as 0
Drive Relay	Relay ON 	Relay OFF 
Resistance Load		

[back](#)