

I-7067/I-7067D Hardware



Internal I/O Structure

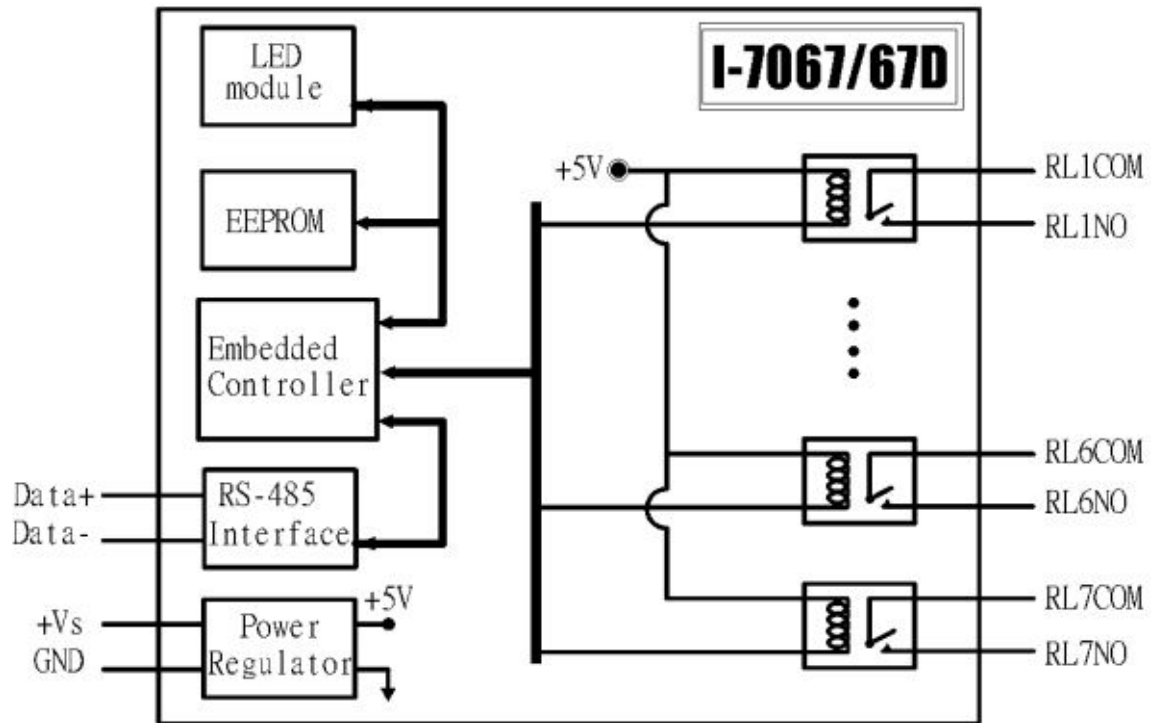


PIN Assignment



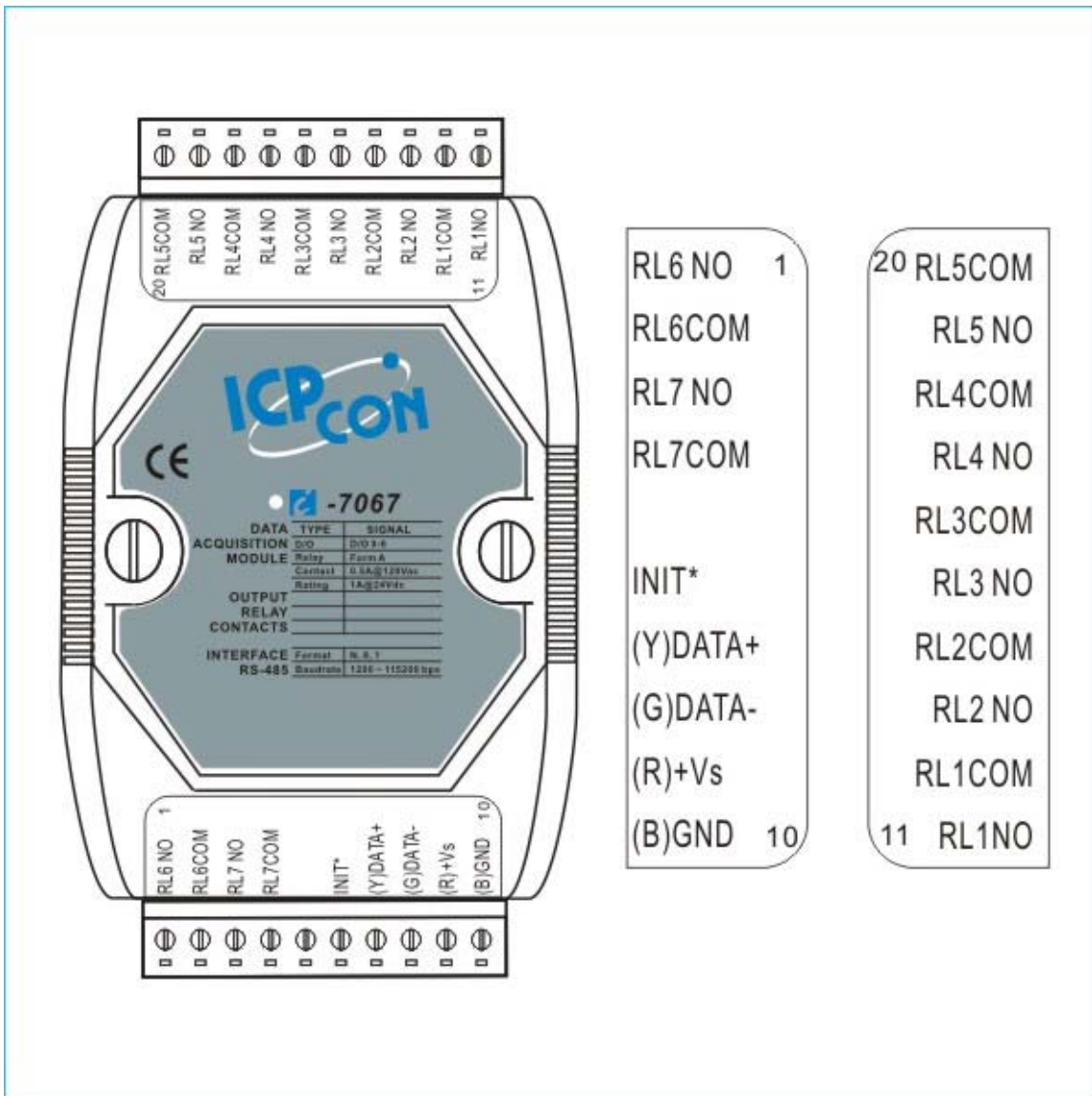
Wire Connection

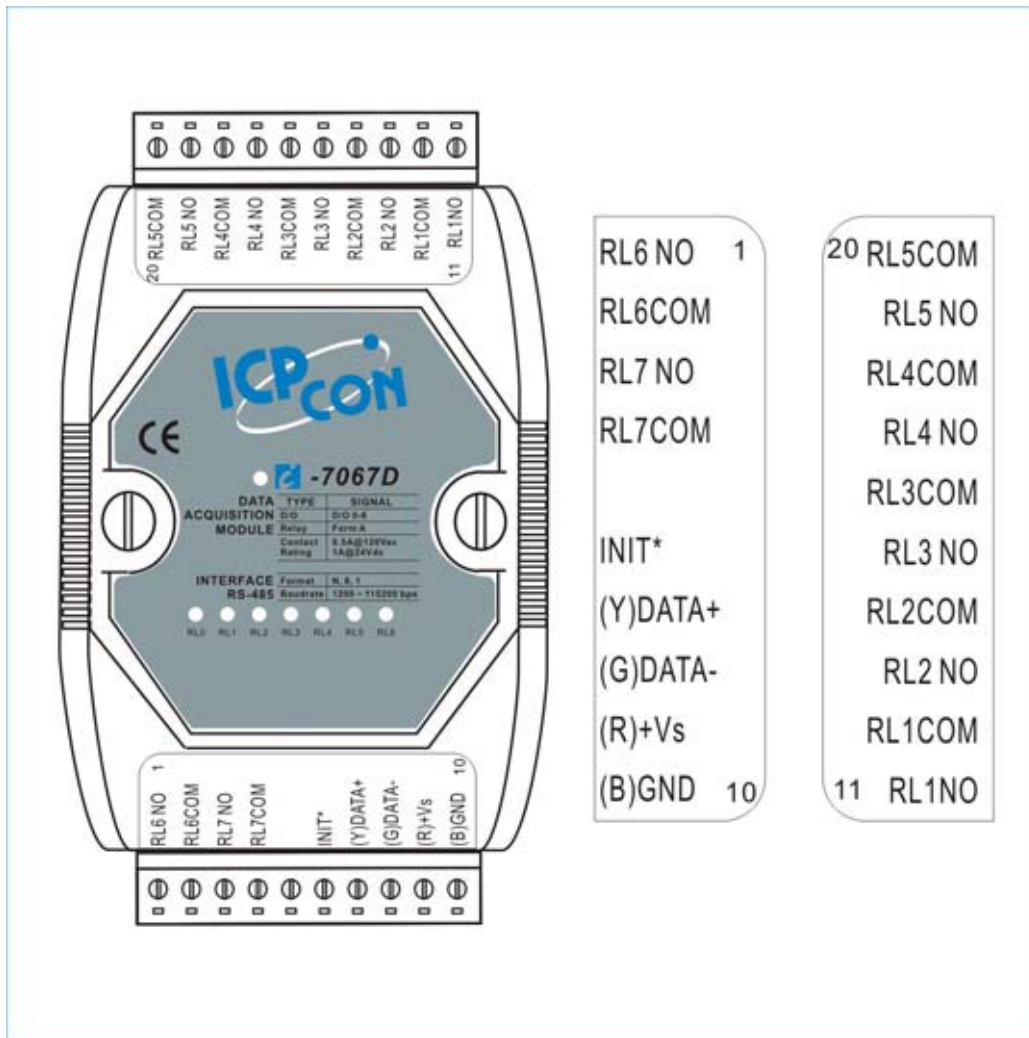
Internal I/O Structure



[back](#)

PIN Assignment





[back](#)

Wire Connection

Relay Output



[back](#)

Copyright© ICP DAS Co., Ltd. All Rights Reserved