

Home	About Company	Products	Download	Distributors	Partners	Training	Activity	Catalog
				Certification	Application Stories	FAQ	News & Events	

I-7021 Hardware



Internal I/O Structure

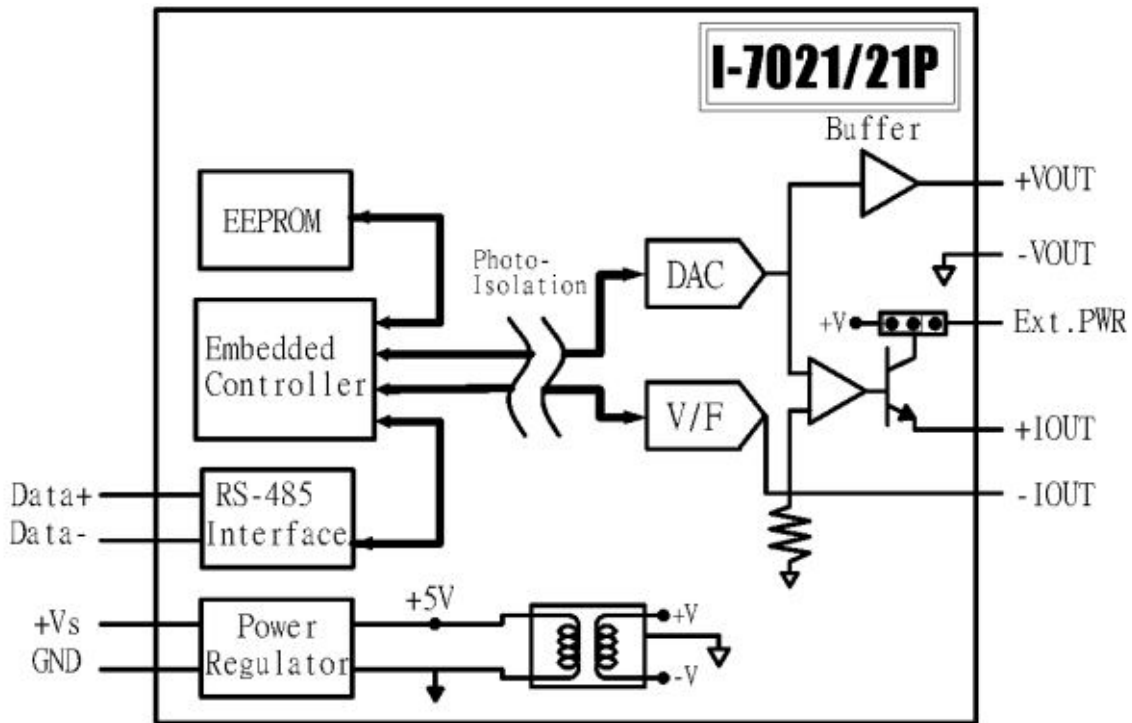


PIN Assignment



Wire Connection

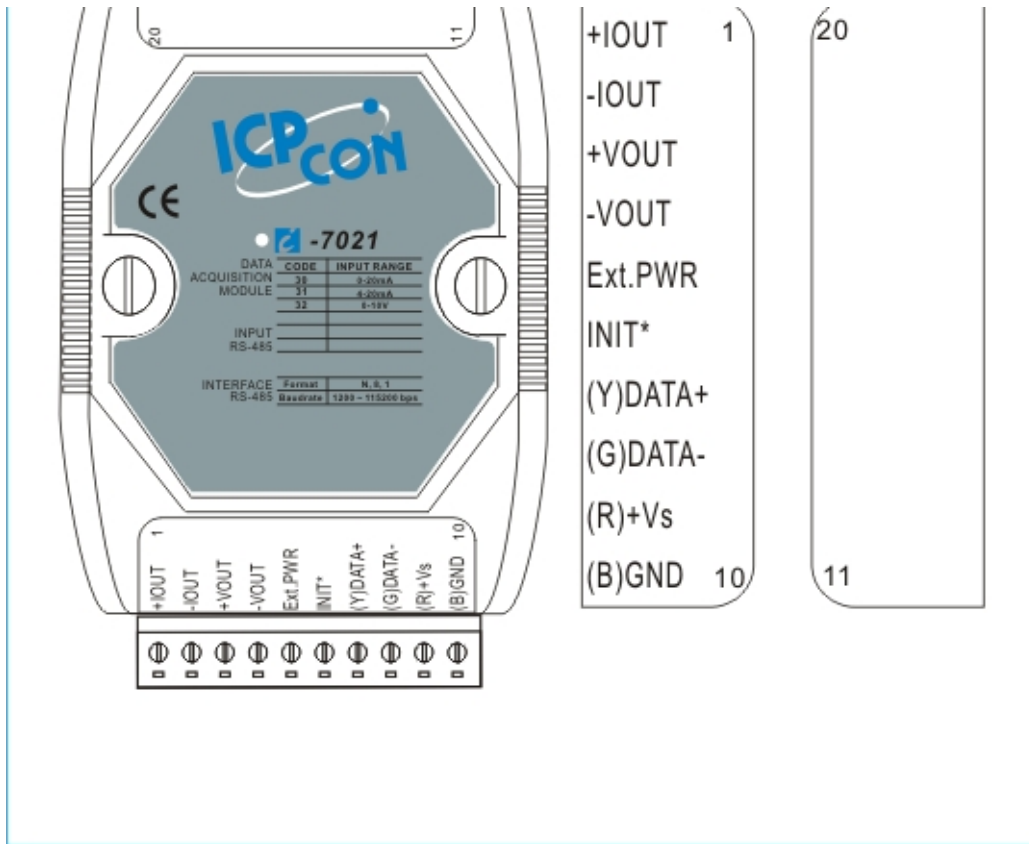
Internal I/O Structure



[back](#)

PIN Assignment

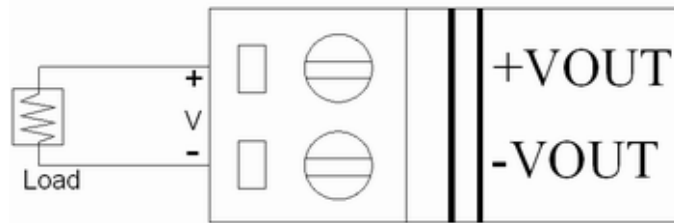




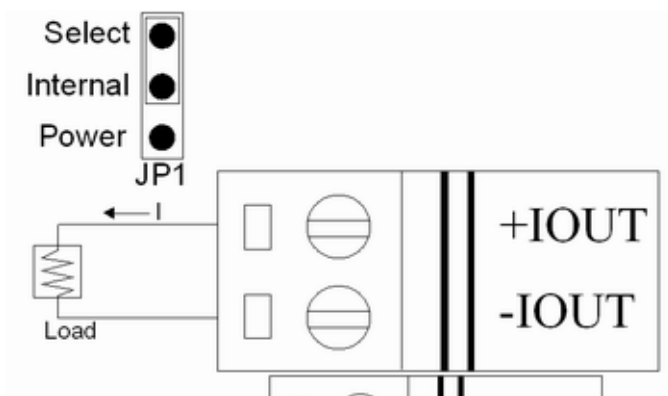
[back](#)

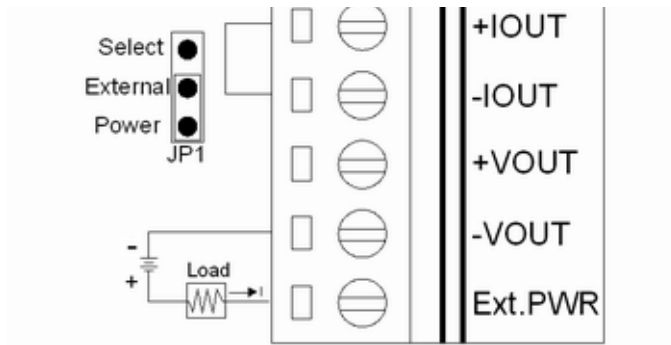
Wire Connection

Voltage Output Wire Connection



Current Output Wire Connection





Note: To access the jumpers, the cover must be opened.

[back](#)

Copyright© ICP DAS Co., Ltd. All Rights Reserved