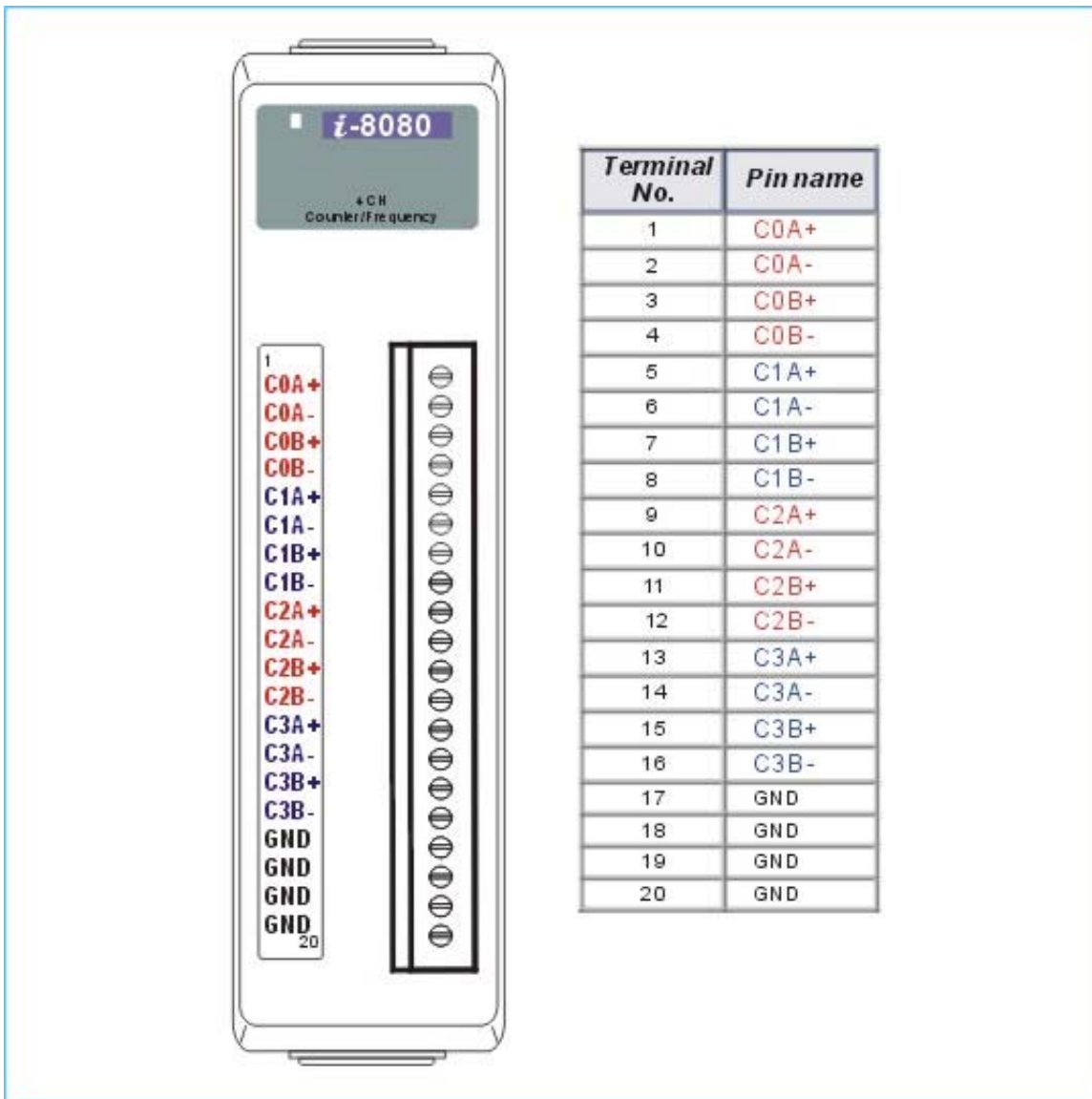


i-8080 Specification

| | | |
|--|--|------------------------------|
| Mode | 4 Channel Pulse/Dir Counter | |
| | 4 Channel Up/Down Counter | |
| | 8 Channel Frequency | |
| | 8 Channel Up Counter | |
| Input frequency | 10~450K Hz (Frequency mode) 450K Hz max (Counter mode) | |
| Input Level | Isolated | Logic Level 0 : +1V max |
| | | Logic Level 1 : +4.5V to 30V |
| | TTL | Logic Level 0 : 0V to 0.8V |
| | | Logic Level 1 : 2 to 5V |
| Maximum Pulse Width | 1 μ sec (Frequency mode) 1 μ sec (Counter mode) | |
| Programmable Digital Noise Filter | 1~32767 μ sec | |
| Programmable built-in gate time | 0.33sec (Default) | |
| Power Consumption | 1W | |
| Display | 1 LED as Power/Communication indicator | |

i-8080 Pin assignments:



i-8080 Internal I/O Structure

Isolated Input :

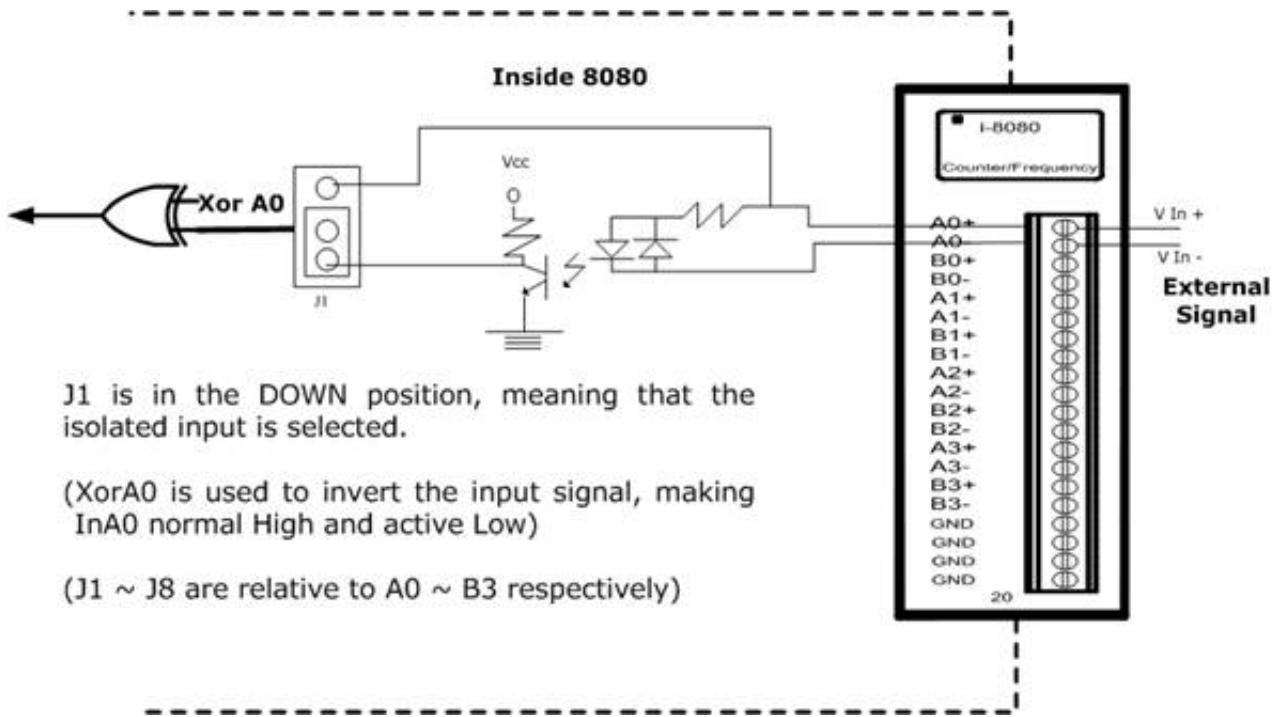


Figure Isolated block diagram

TTL Input:

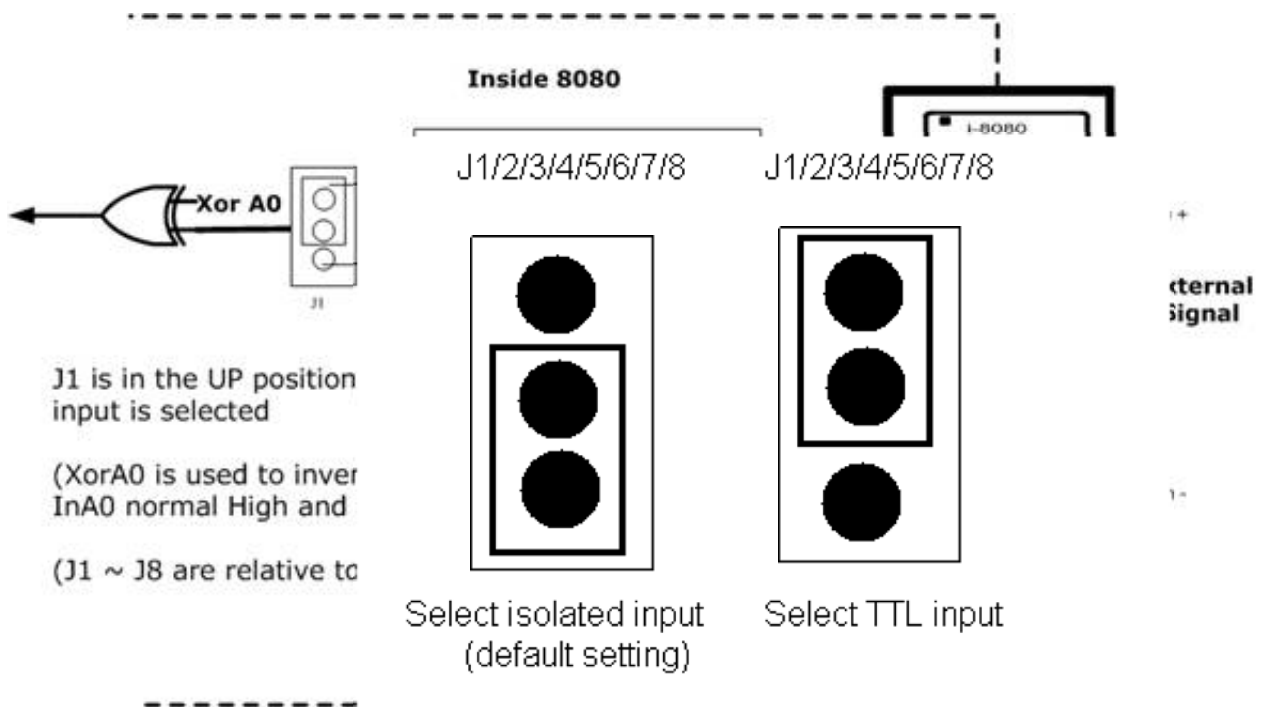


Figure TTL block diagram

Isolated or TTL input is selected by using JP1 to JP8 as indicated below:

| | |
|----|-----------|
| J1 | Select A0 |
| J2 | Select B0 |
| J3 | Select A1 |
| J4 | Select B1 |
| J5 | Select A2 |
| J6 | Select B2 |
| J7 | Select A3 |
| J8 | Select B3 |

The default jumper settings are as follows:

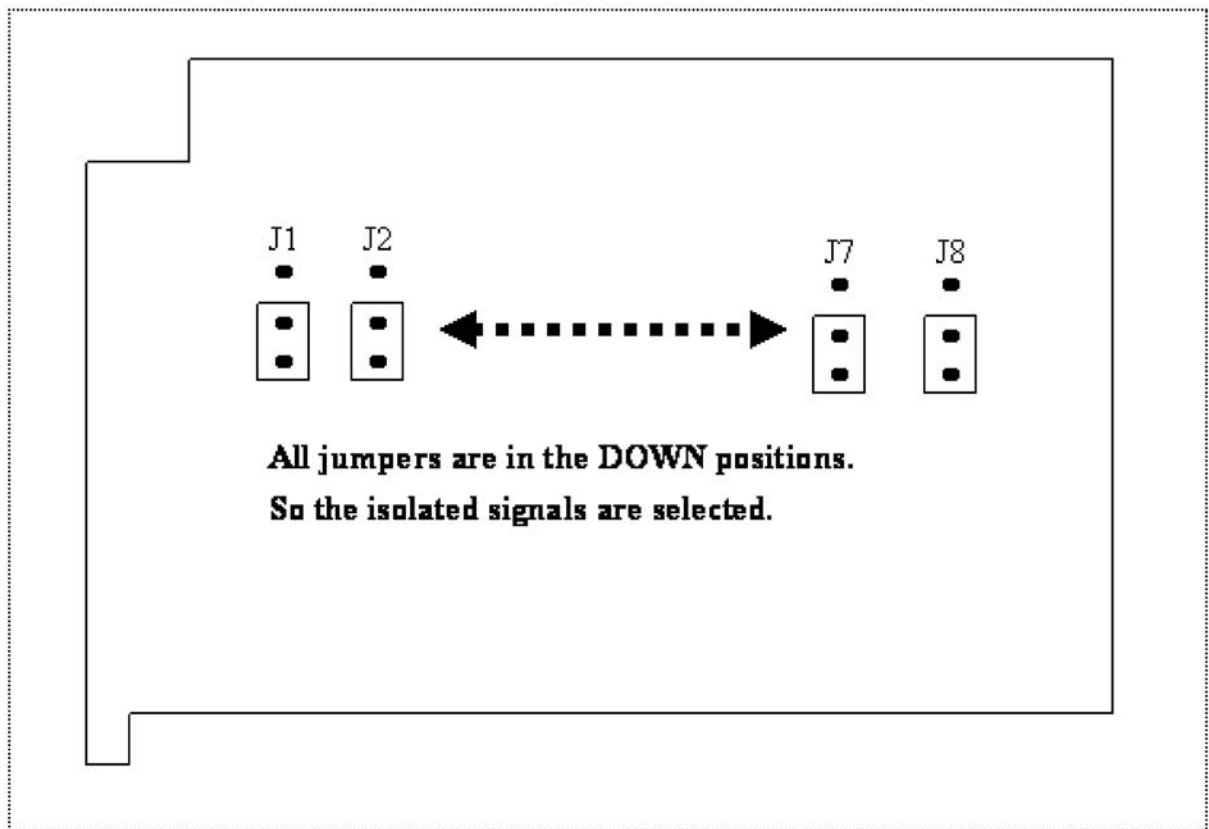
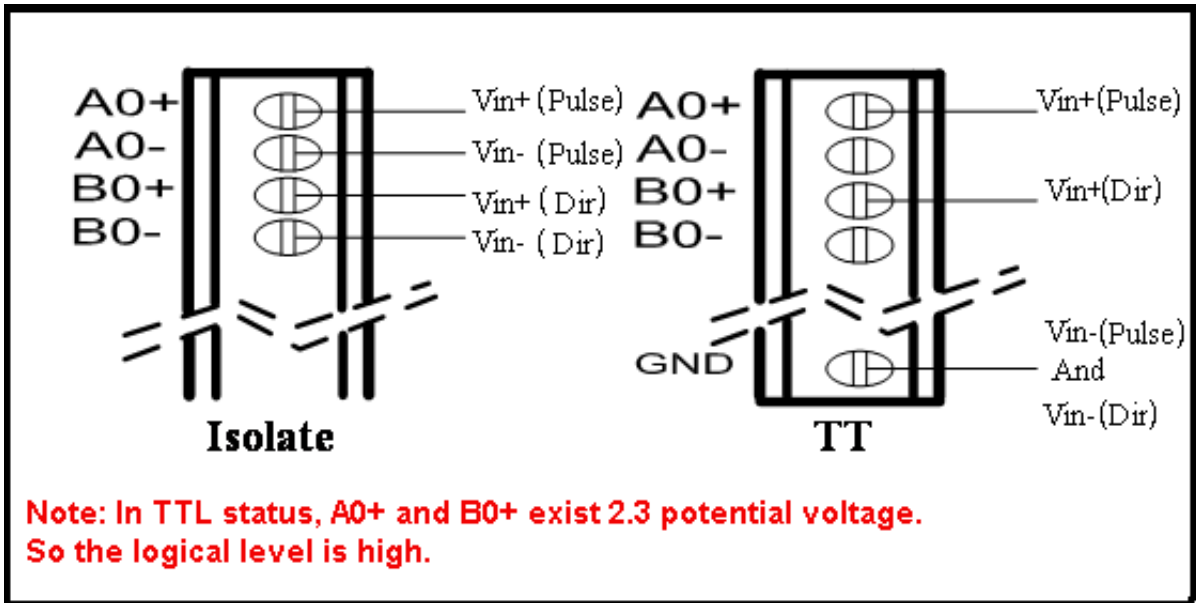


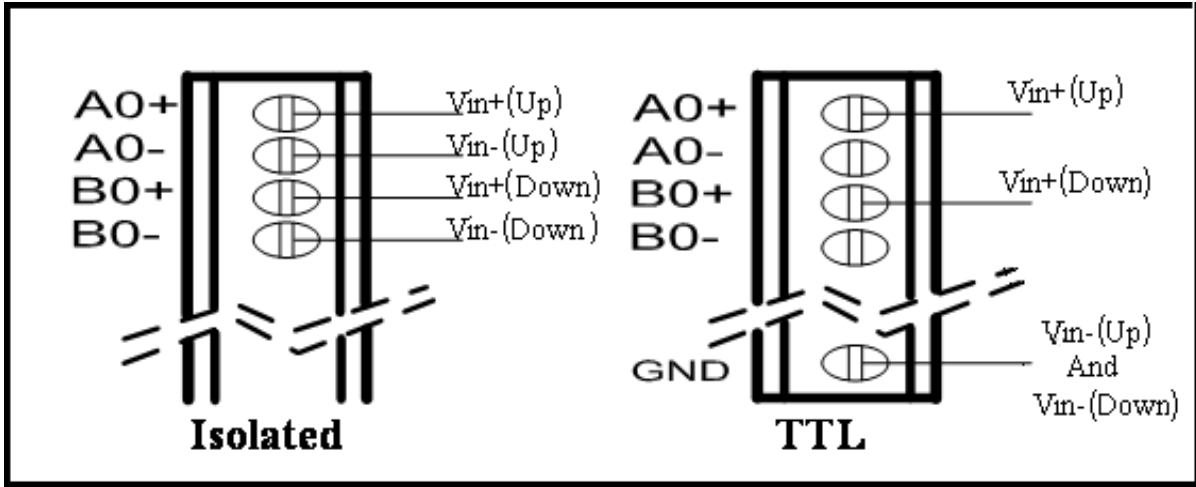
Figure Isolated & TTL Jumper

i-8080 Wiring Connection

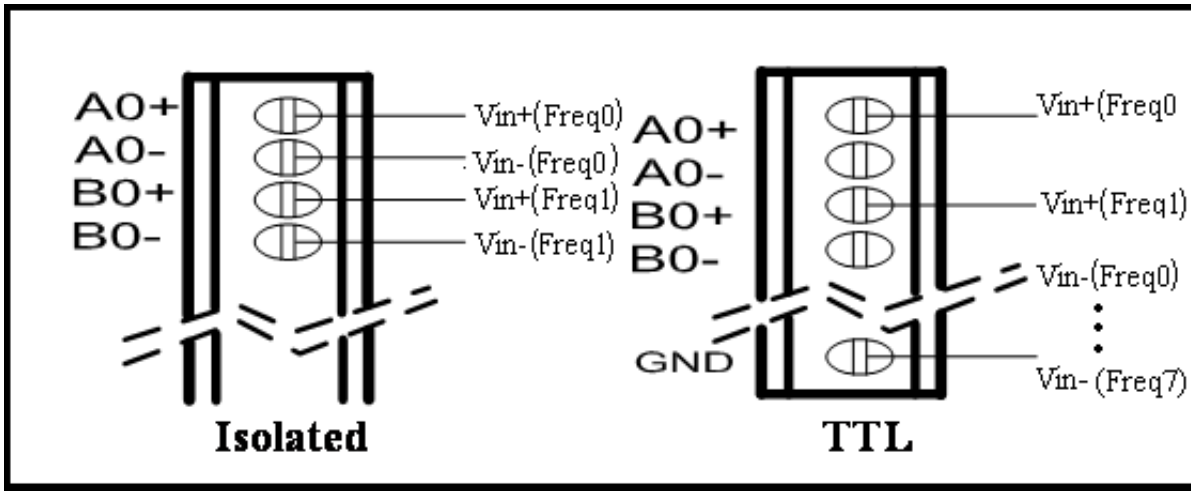
Mode0: Dir/Pulse Counter Mode



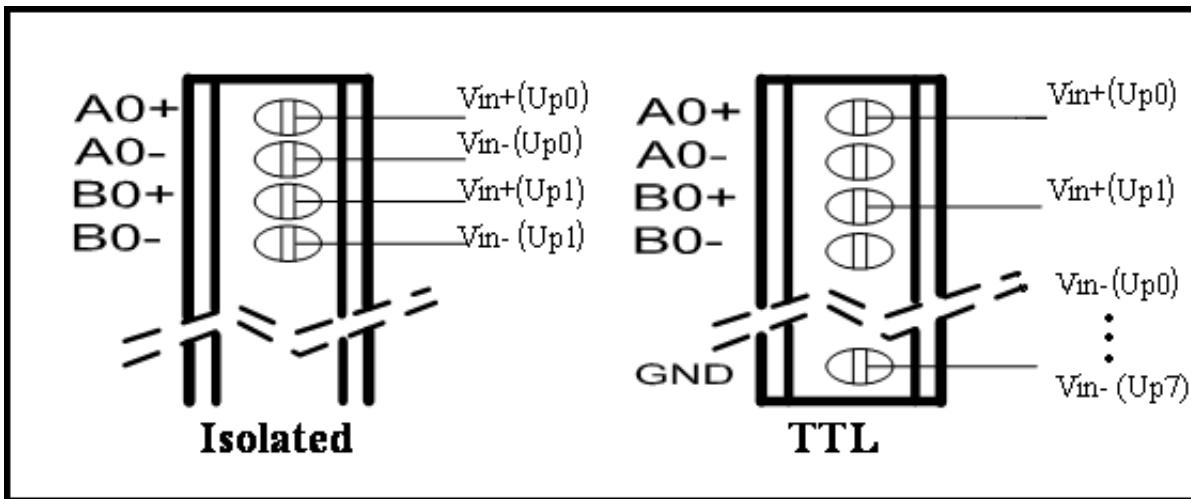
Mode1: Up/Down Counter Mode



Mode2: Frequency Mode



Mode3: Up Counter Mode



i-8080 Dimension

