

# I-87066W Hardware



Internal I/O Structure

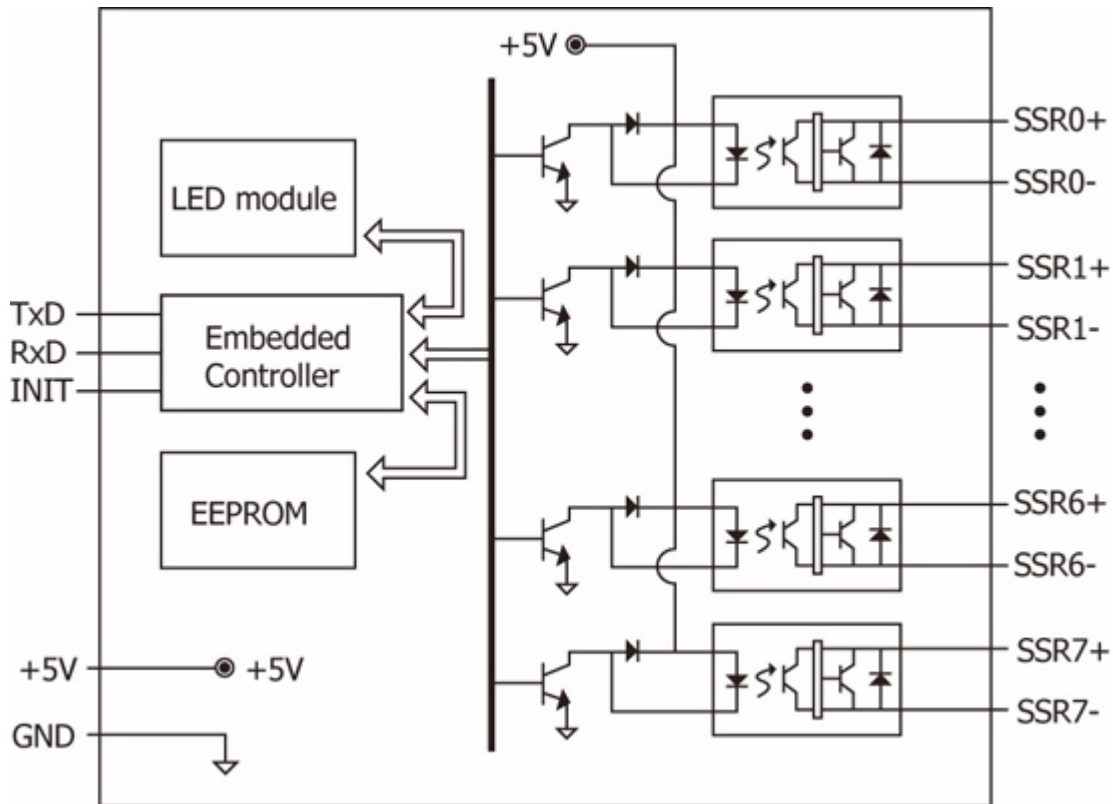


PIN Assignment

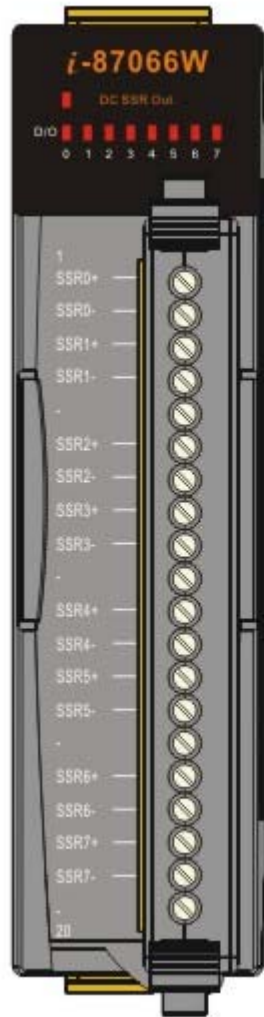


Wire Connection

## Internal I/O Structure



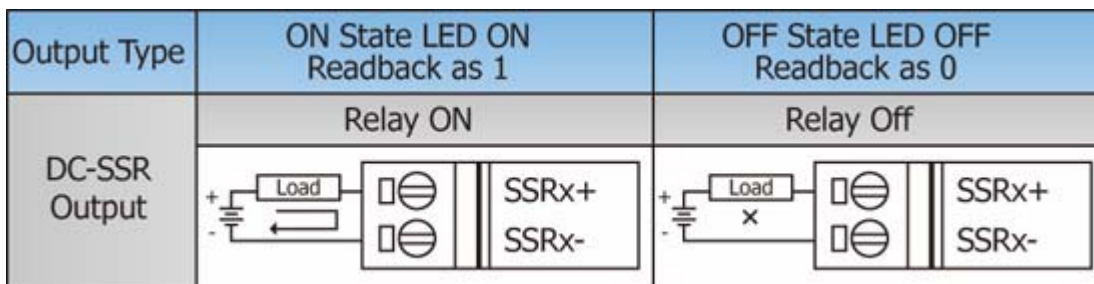
[back](#)



Terminal No.	Pin Assignment
01	SSR0+
02	SSR0-
03	SSR1+
04	SSR1-
05	-
06	SSR2+
07	SSR2-
08	SSR3+
09	SSR3-
10	-
11	SSR4+
12	SSR4-
13	SSR5+
14	SSR5-
15	-
16	SSR6+
17	SSR6-
18	SSR7+
19	SSR7-
20	-

[back](#)

Wire Connection



[back](#)