

I-87063W Hardware



Internal I/O Structure

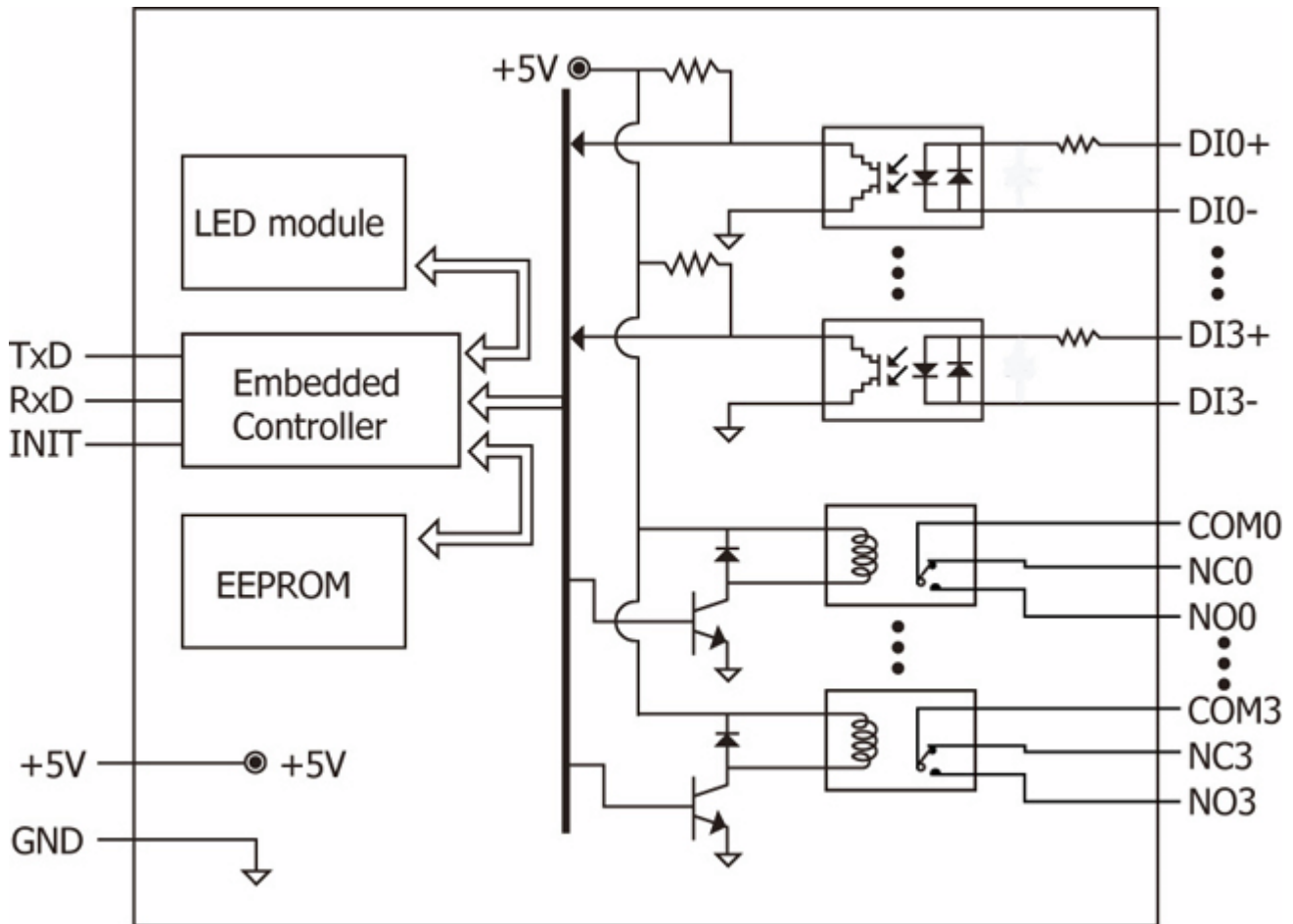


PIN Assignment

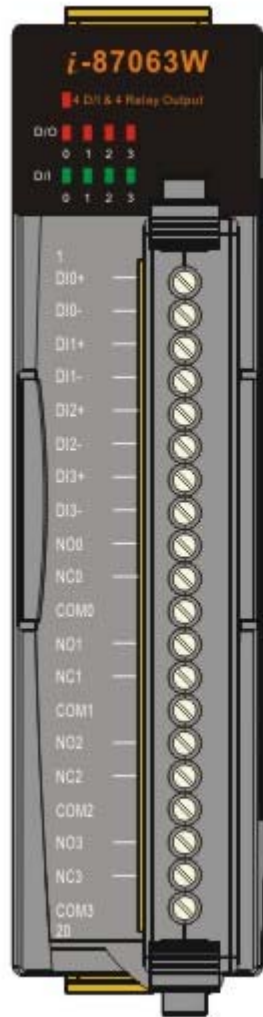


Wire Connection

Internal I/O Structure



[back](#)



Terminal No.	Pin Assignment
01	DIO+
02	DIO-
03	DI1+
04	DI1-
05	DI2+
06	DI2-
07	DI3+
08	DI3-
09	NO0
10	NC0
11	COM0
12	NO1
13	NC1
14	COM1
15	NO2
16	NC2
17	COM2
18	NO3
19	NC3
20	COM3

[back](#)

Wire Connection

Input Type	ON State LED ON Readback as 1	OFF State LED OFF Readback as 0
Relay Contact	Relay ON	Relay Off
TTL/CMOS Logic	Voltage < 1V	Voltage > 3.5V
Open Collector	Open Collector On	Open Collector Off
Output Type	ON State LED ON Readback as 1	OFF State LED OFF Readback as 0
Relay Contact	Relay ON	Relay Off

[back](#)