

Home	About Company	Products	Download	Certification	Distributors	Application Stories	Partners	Training	FAQ	News & Events
									Activity	Catalog

# I-87028CW Hardware



Internal I/O Structure

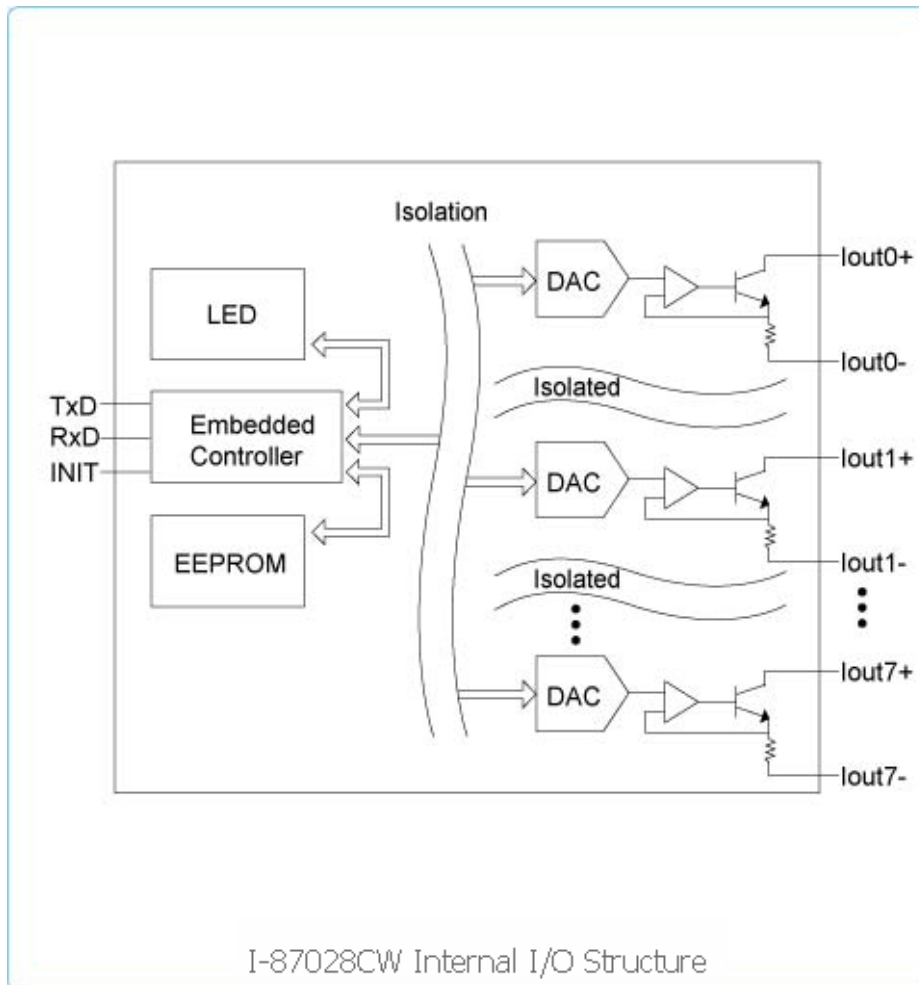


PIN Assignment



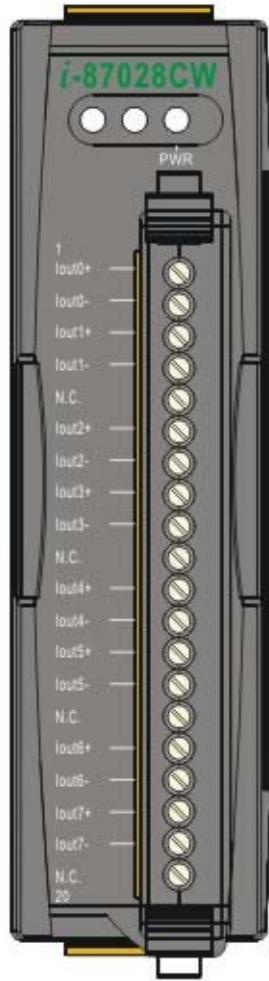
Wire Connection

## Internal I/O Structure



[back](#)

## PIN Assignments

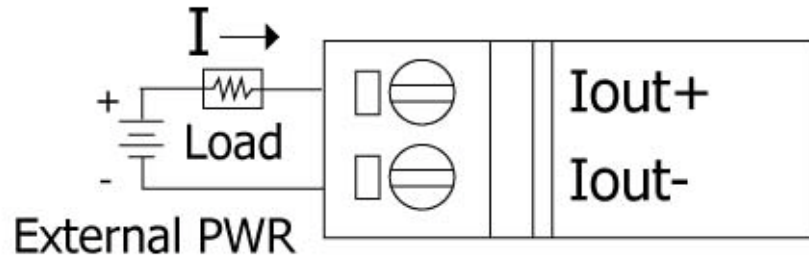


Terminal No.	Pin Assignment
01	lout0+
02	lout0-
03	lout1+
04	lout1-
05	N.C.
06	lout2+
07	lout2-
08	lout3+
09	lout3-
10	N.C.
11	lout4+
12	lout4-
13	lout5+
14	lout5-
15	N.C.
16	lout6+
17	lout6-
18	lout7+
19	lout7-
20	N.C.

[back](#)

**Wire Connection**

## Current Output Wiring



I-87028CW Wire Connection

[back](#)

Copyright© ICP DAS Co., Ltd. All Rights Reserved