

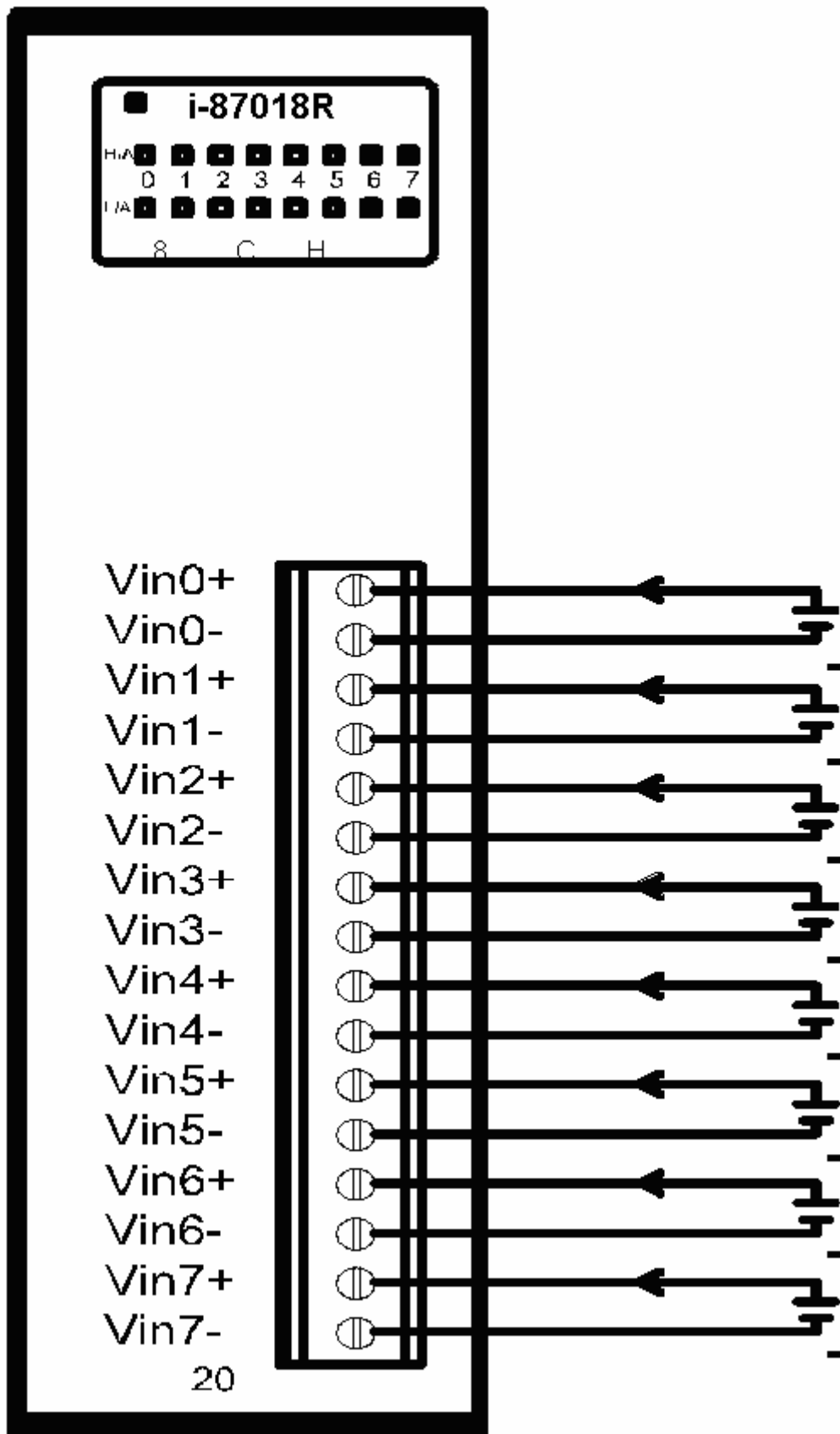
I-87018R Hardware User Guide *Ver 1.1*

Last Modified 05/07/2007

87018R Specifications

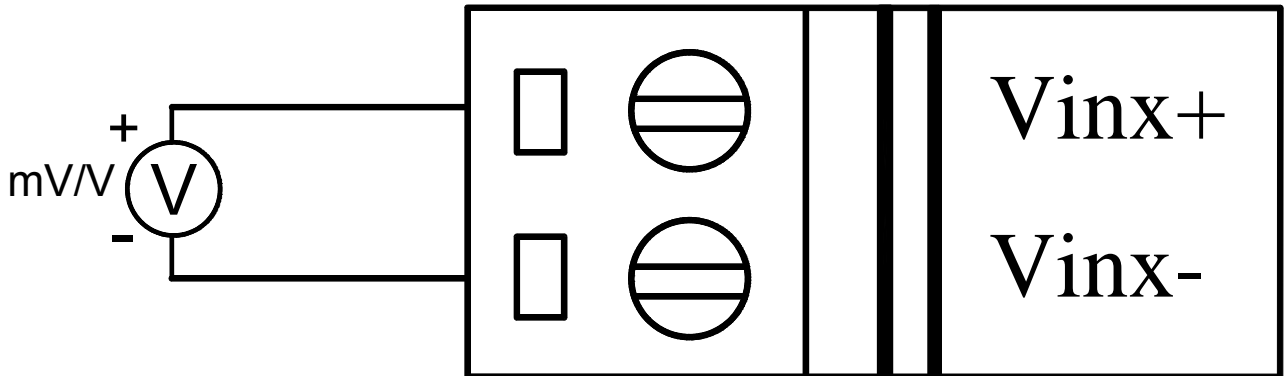
Analog Input Module	
<i>Input Channel</i>	<i>8 differential input channels</i>
<i>Input Type</i>	<i>mV, V mA(with external 125 Ohms resistor) Thermocouple : J, K, T, E, R, S, B, N, C, L, M, L2</i>
<i>Sampling Rate</i>	<i>10 samples/second total</i>
<i>-3dB BandWidth</i>	<i>15.7Hz</i>
<i>Accuracy</i>	<i>+/-0.1%</i>
<i>Common Mode Rejection</i>	<i>150dB @50/60Hz</i>
<i>Normal Mode Rejection</i>	<i>100dB @50/60Hz</i>
<i>Voltage Input Impedance</i>	<i>2M Ohms</i>
<i>Overvoltage Protection</i>	<i>+/-240Vrms</i>
<i>Power Consumption</i>	<i>1.2W</i>

I-87018R Wire Connection

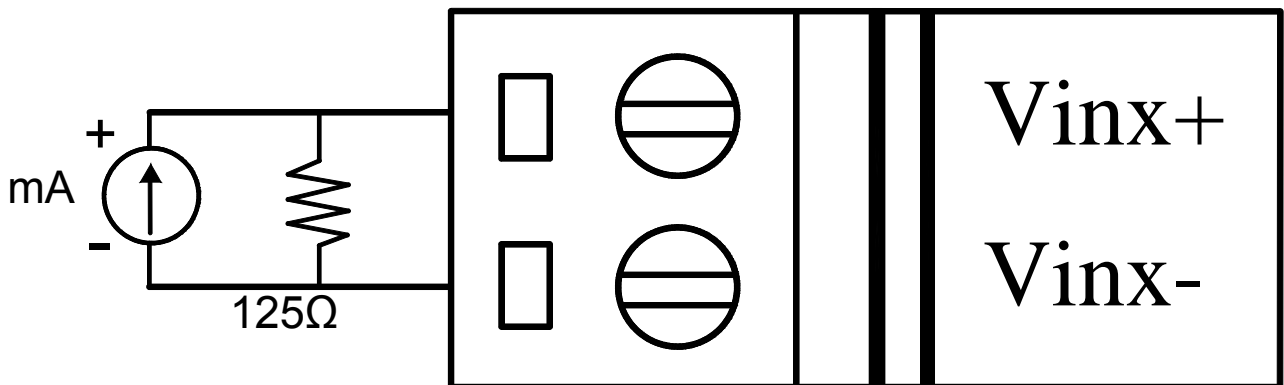


I-87018R Wire Connection Type

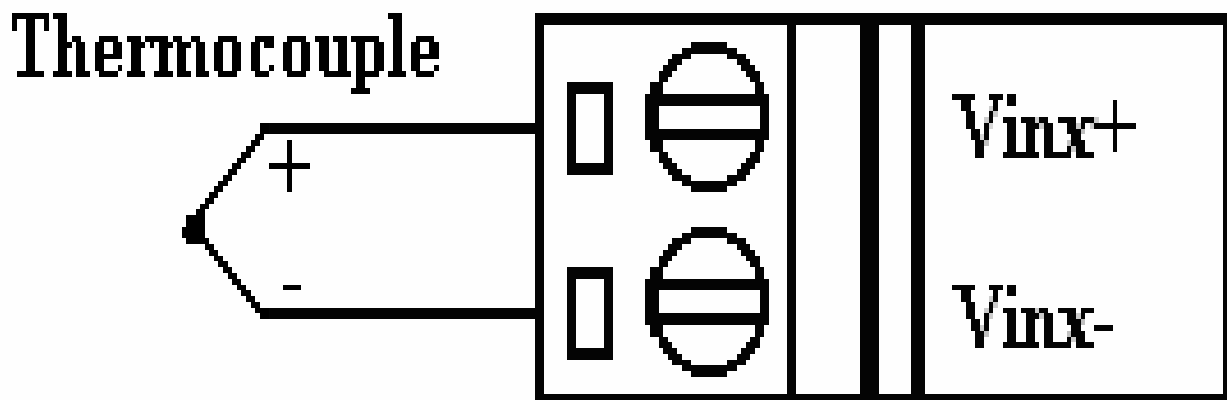
Voltage Input Wiring



Current Input Wiring



Thermocouple Input Wiring



I-87018R Internal I/O Structure

