

I-87017W Hardware



Internal I/O Structure

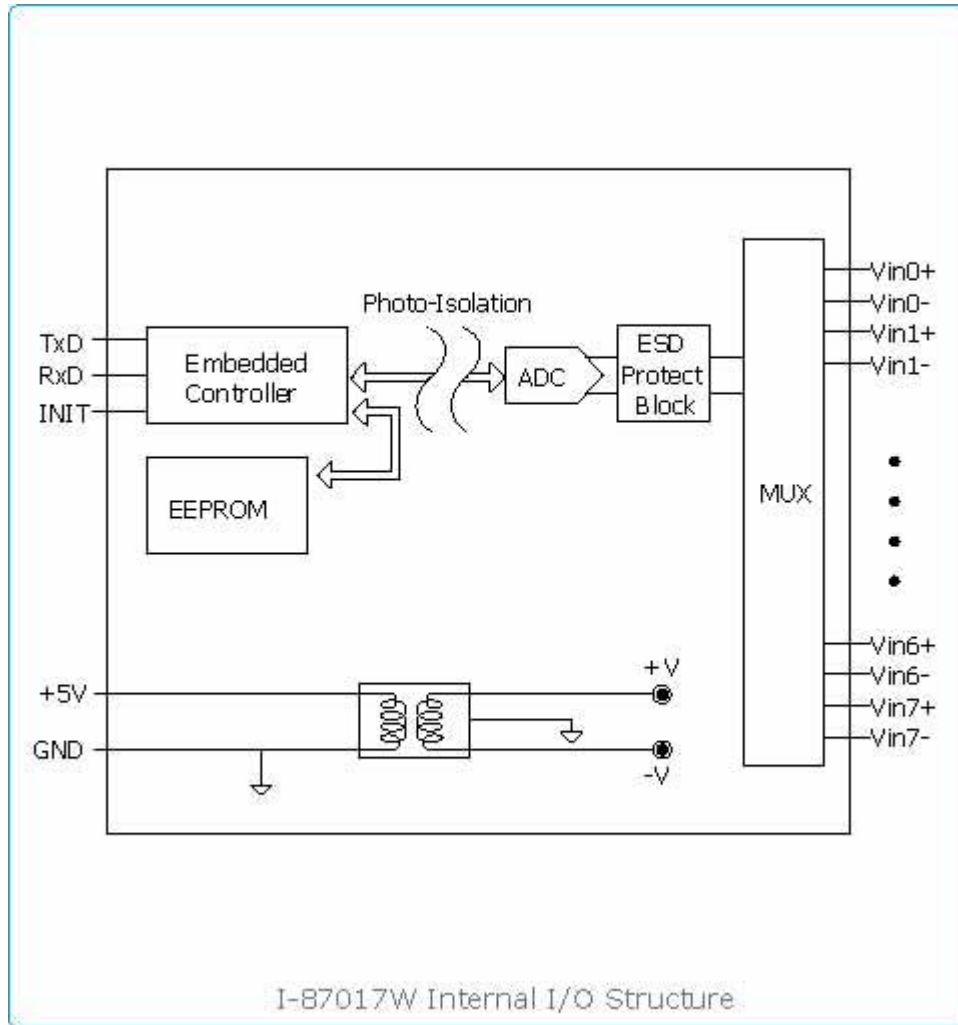


PIN Assignment

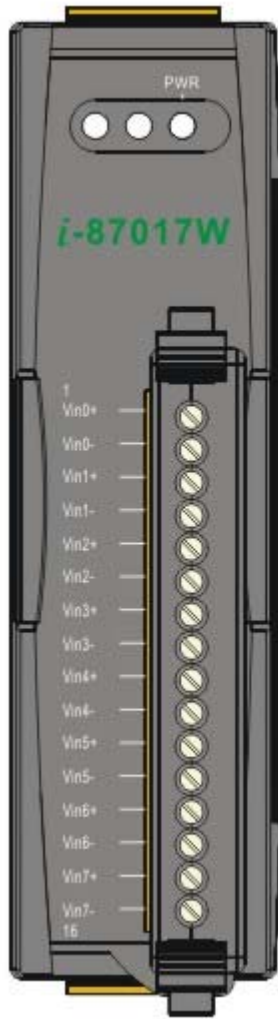


Wire Connection

Internal I/O Structure



[back](#)

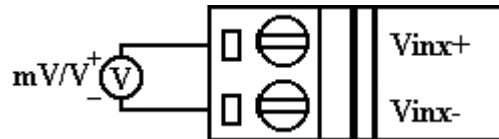


Terminal No.	Pin Assignment
01	Vin0+
02	Vin0-
03	Vin1+
04	Vin1-
05	Vin2+
06	Vin2-
07	Vin3+
08	Vin3-
09	Vin4+
10	Vin4-
11	Vin5+
12	Vin5-
13	Vin6+
14	Vin6-
15	Vin7+
16	Vin7-

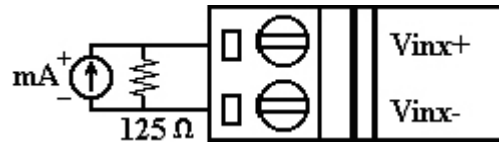
[back](#)

Wire Connection

I-87017W Voltage Input Wiring



I-87017W Current Input Wiring



Note: When connecting to a current source, an optional external 125-Ohm resistor is required.

[back](#)