

I-8063W Hardware



Internal I/O Structure

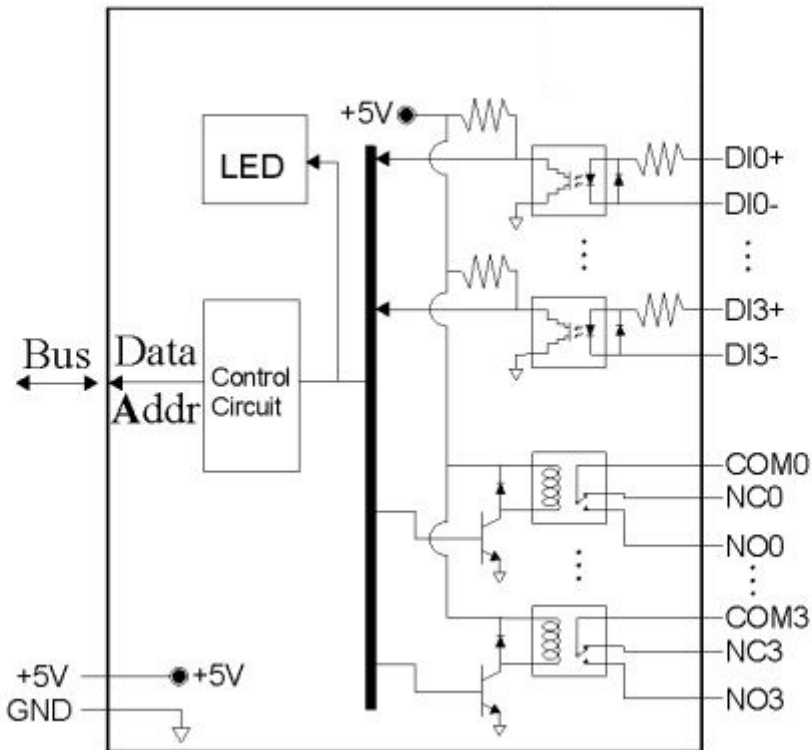


PIN Assignment



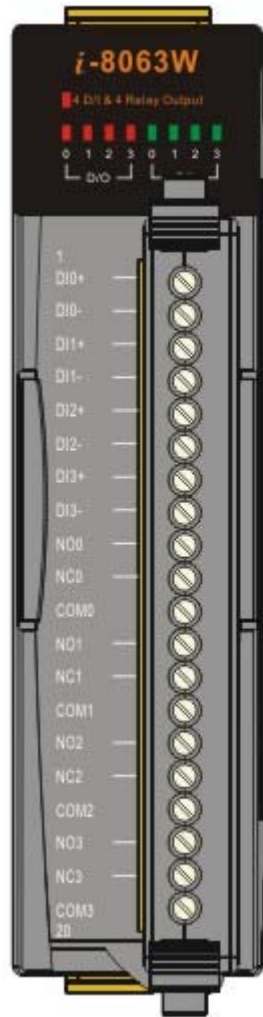
Wire Connection

Internal I/O Structure



[back](#)

PIN Assignments



Terminal No.	Pin Assignment
01	DIO+
02	DIO-
03	DI1+
04	DI1-
05	DI2+
06	DI2-
07	DI3+
08	DI3-
09	NO0
10	NC0
11	COM0
12	NO1
13	NC1
14	COM1
15	NO2
16	NC2
17	COM2
18	NO3
19	NC3
20	COM3

[back](#)

Wire Connection

Input Type	ON State LED ON Readback as 0	OFF State LED OFF Readback as 1
Relay Contact	Relay ON 	Relay Off
	TTL/CMOS Logic	Voltage > 10V
Open Collector	Open Collector On 	Open Collector Off
	Output Type	ON State LED ON Readback as 1
Relay Contact	Relay ON 	Relay Off

[back](#)