

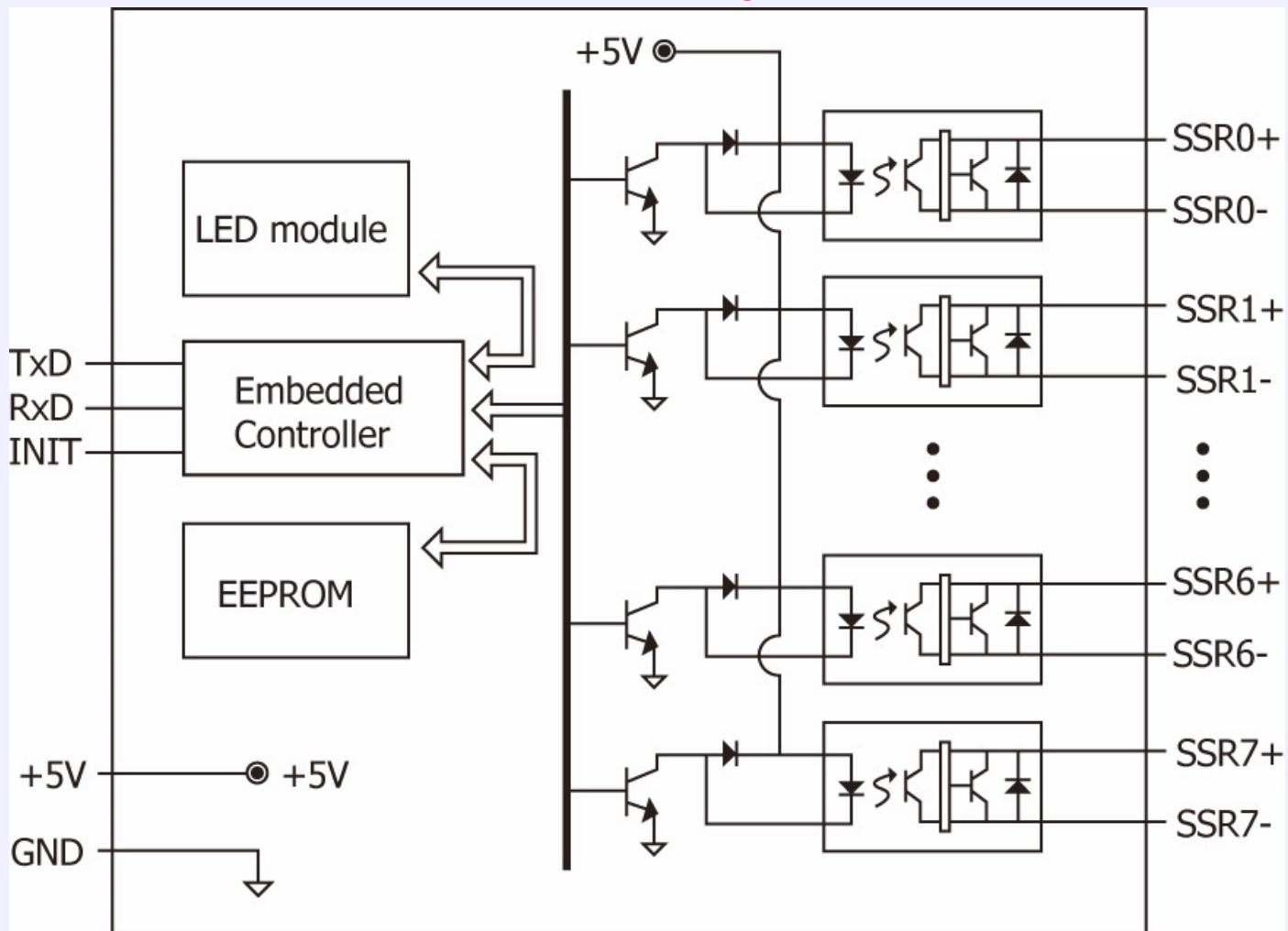
I-87066W Specifications

DC-SSR Output	Outputs per module	8
	DC-SSR Type	Normal Open
	Load Voltage Rating	3 to 30 V _{DC}
	Off-state Leakage Current	0.1mA (at 30V _{DC}) max.
	Load Current	1.0A max.
	Operate Time	1mS max.
	Release Time	1mS max.
	Dielectric Strength	2500V _{RMS}
LED Display	1 LED as Power/Communication indicator 8 LEDs as DC-SSR output indicators	
4KV ESD Protection	Yes, Contact for each terminal	
Power Consumption	Maximum : 0.6W	

I-87066W Pin Assignment

Terminal No.	Pin Assignment Name
01	SSR0+
02	SSR0-
03	SSR1+
04	SSR1-
05	-
06	SSR2+
07	SSR2-
08	SSR3+
09	SSR3-
10	-
11	SSR4+
12	SSR4-
13	SSR5+
14	SSR5-
15	-
16	SSR6+
17	SSR6-
18	SSR7+
19	SSR7-
20	-

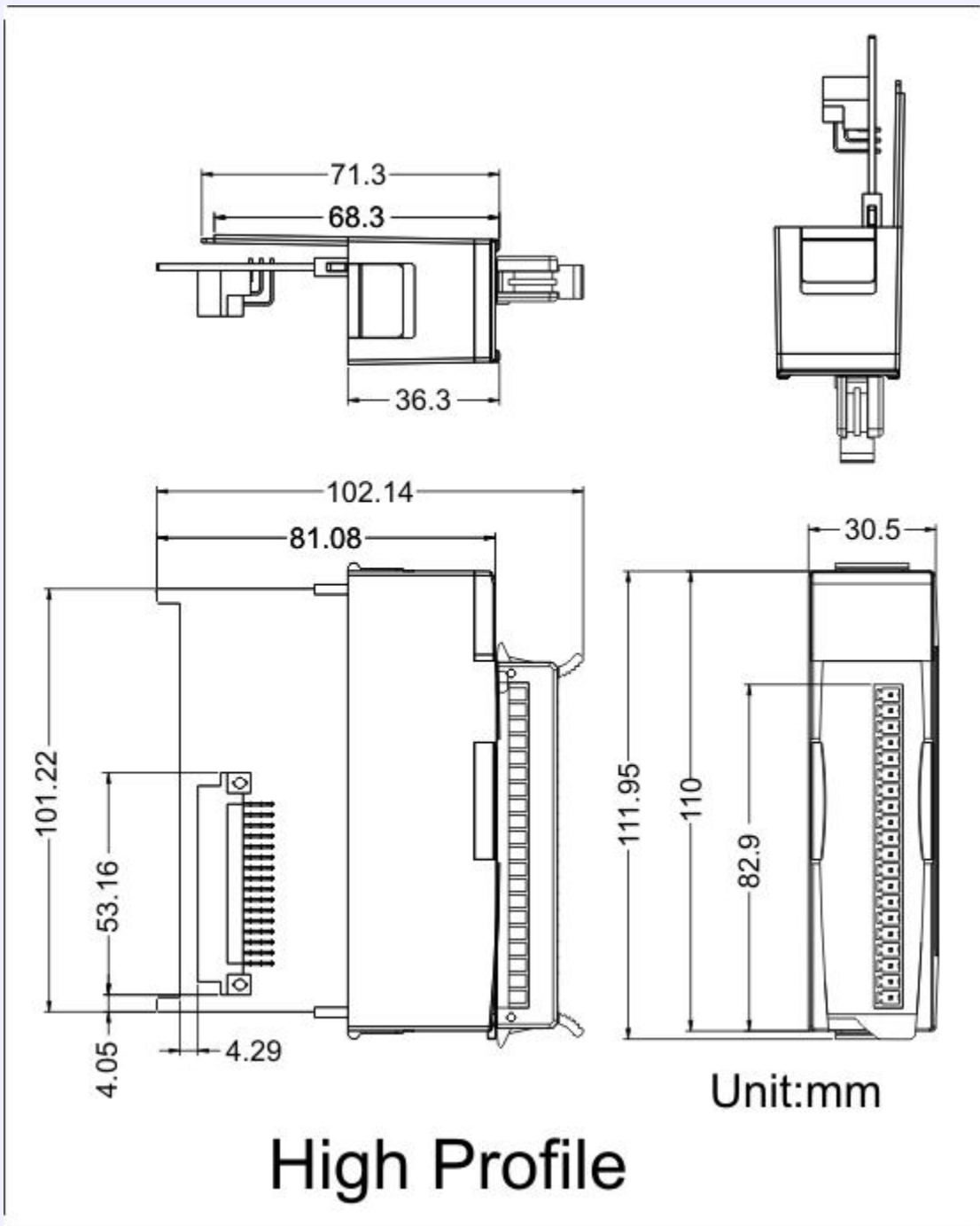
I-87066W Block Diagram



I-87066W Wire Connection

Output Type	ON State LED ON Readback as 1	OFF State LED OFF Readback as 0
	Relay ON	Relay Off
DC-SSR Output		

I-87066W Dimensions



I-87066W Default Setting

Configuration	Default Setting	Description
Type	40	Digital Input/Output
Baudrate	0A	115200 bps
Format	00	Checksum disable