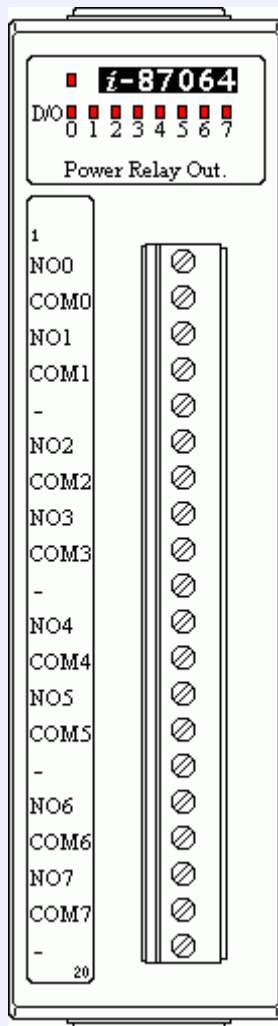


I-87064 Specifications

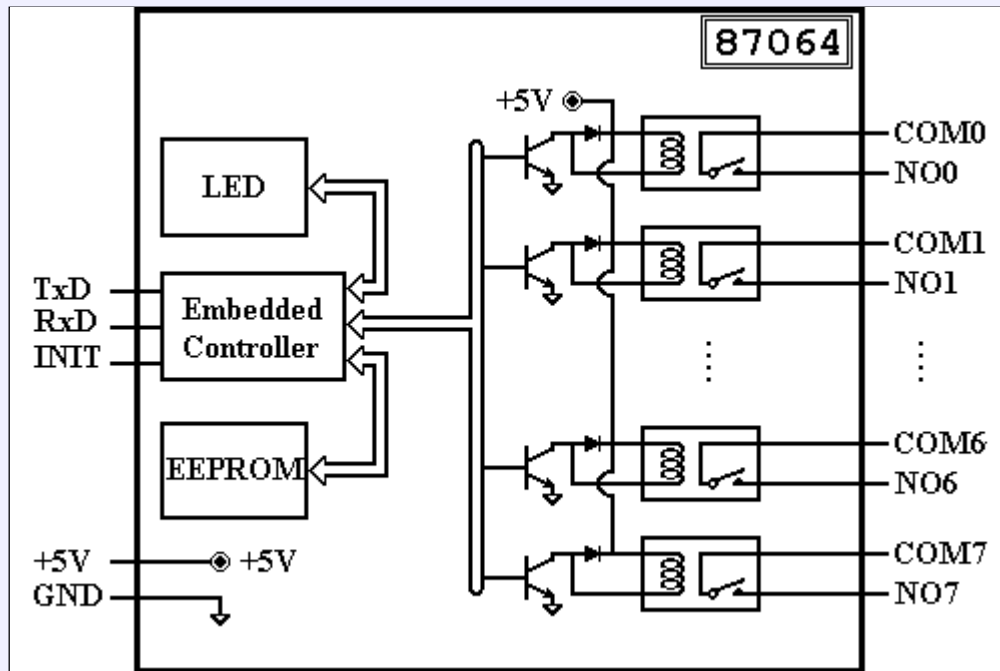
Relay Output	Outputs per module	8
	Contact Type	Form A : normal open (N.O.) contact
	Contact Rating	5A@250VAC or 5A@30VDC
	Operate/Release Time	6mS/3mS max.
	Life	Mechanical : 2×10^7 min. Electrical : 10^5 min. (Contact Rating)
	Dielectric Strength	between open contacts : 750VAC between coil and contacts : 2000VAC
	Surge Strength	4000V
LED Display	1 LED as Power/Communication indicator 8 LEDs as relay output indicators	
Power Consumption	Maximum : 1.7W	

I-87064 Pin Assignment



Terminal Number	Pin Name
1	NO0
2	COM0
3	NO1
4	COM1
5	-
6	NO2
7	COM2
8	NO3
9	COM3
10	-
11	NO4
12	COM4
13	NO5
14	COM5
15	-
16	NO6
17	COM6
18	NO7
19	COM7
20	-

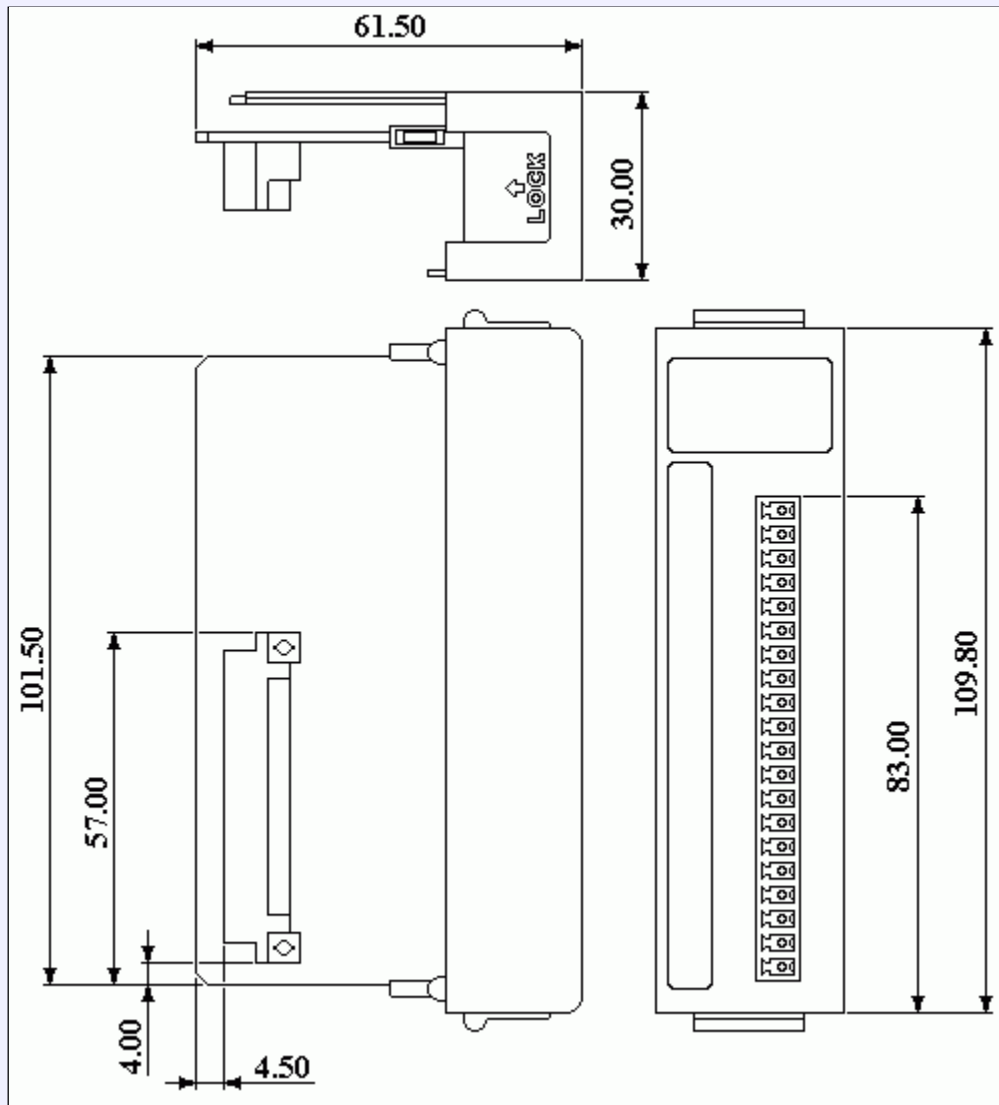
I-87064 Block Diagram



I-87064 Wire Connection

Output Type	ON State LED ON Readback as 1	OFF State LED OFF Readback as 0
Relay Contact		

I-87064 Dimension



I-87064 Default Setting

Configuration	Default Setting	Description
Type	40	Digital Input/Output
Baudrate	0A	115200 bps
Format	00	Checksum disable

[Back to Previous Page](#)

Last Modified 10/29/2008 22:32:55