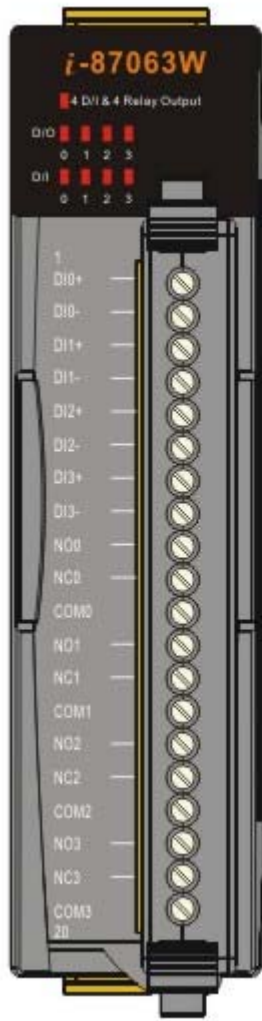


I-87063W Specifications

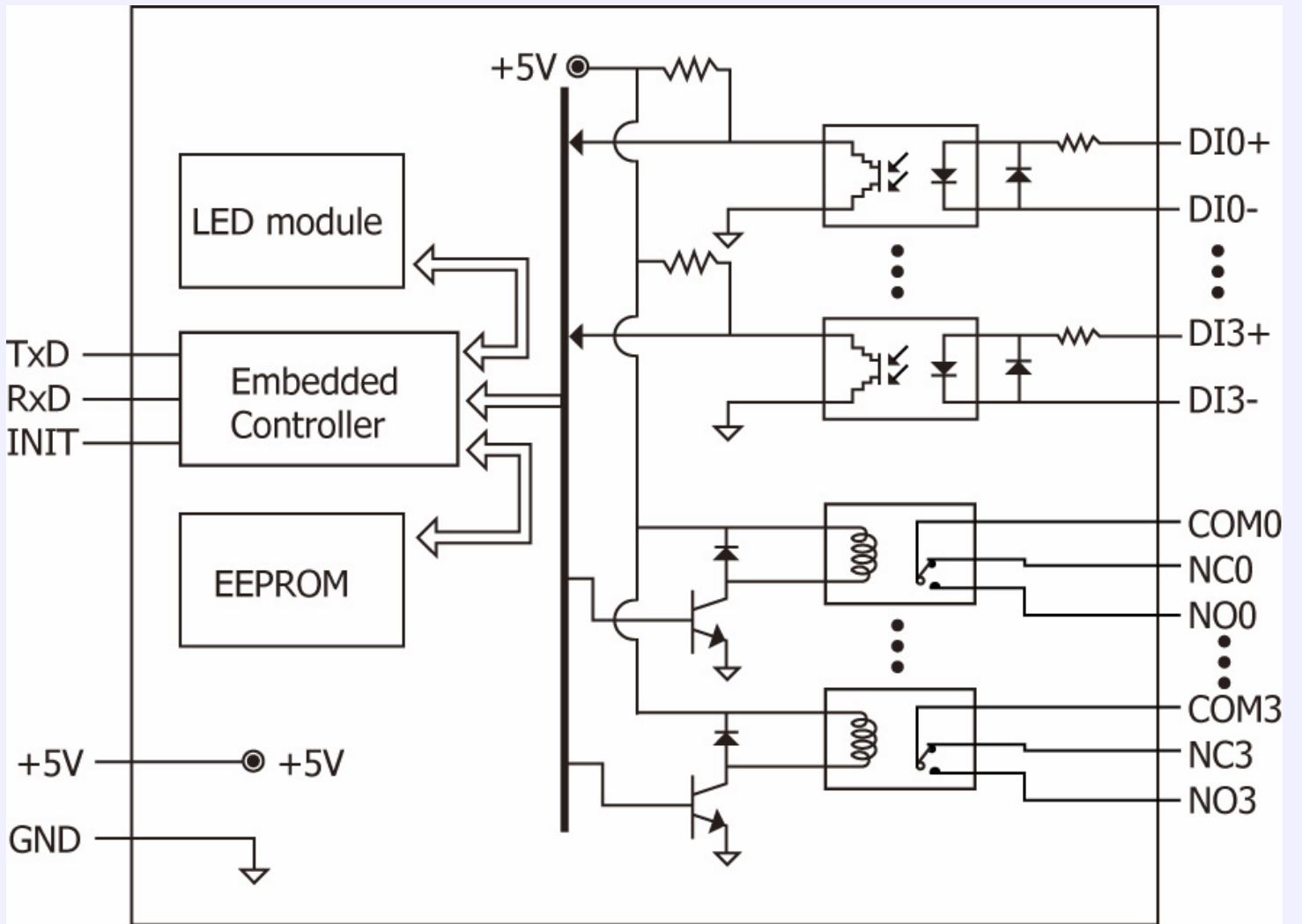
Digital Input	Inputs per module	4 (Differential)
	Input Type	Isolated differential digital input
	Input Voltage	30VDC Peak
	ON State	3.5VDC Minimum
	OFF State	1.0VDC Maximum
	Input Impedance	3K Ohms
	Isolation Voltage	3750 Vrms
Relay Output	Outputs per module	4
	Contact Type	Form C : changeover contact
	Contact Rating	0.6A@125VAC or 2A@30VDC
	Operate/Release Time	3mS/2mS max.
	Operation Life	Mechanical : 10^8 min. Electrical : $5*10^5$ min. (2A@30VDC)
	Dielectric Strength	between open contacts : 500Vrms between contacts and coil : 1000Vrms
LED Display	1 LED as Power/Communication indicator 4 LEDs as digital input indicators 4 LEDs as relay output indicators	
4KV ESD Protection	Yes, contact for each terminal	
Power Consumption	Maximum : 1.5W	

I-87063W Pin Assignment



Terminal No.	Pin Assignment Name
01	DIO+
02	DIO-
03	DI1+
04	DI1-
05	DI2+
06	DI2-
07	DI3+
08	DI3-
09	NO0
10	NC0
11	COM0
12	NO1
13	NC1
14	COM1
15	NO2
16	NC2
17	COM2
18	NO3
19	NC3
20	COM3

I-87063W Block Diagram

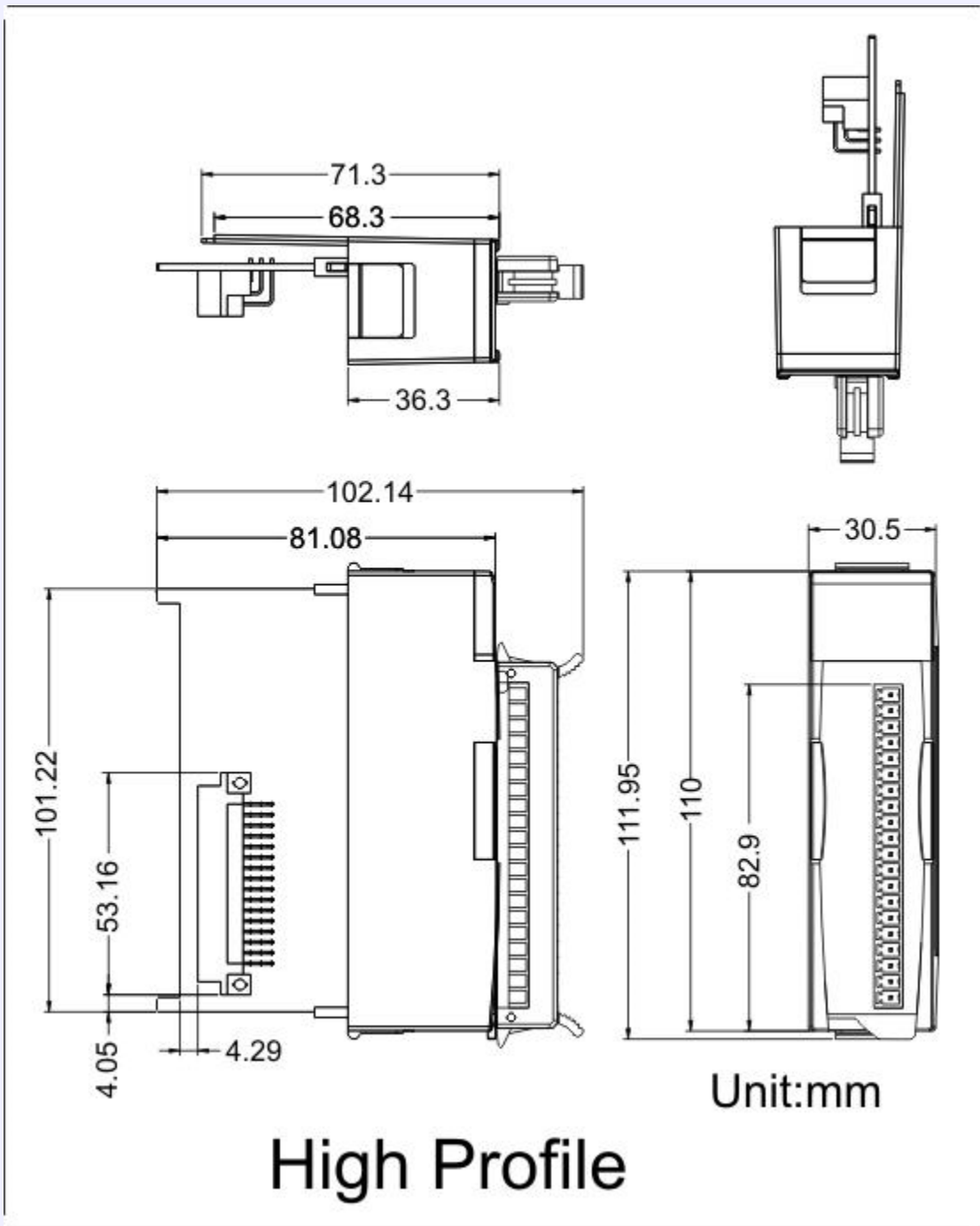


I-87063W Wire Connection

Input Type	ON State LED ON Readback as 1	OFF State LED OFF Readback as 0
Relay Contact	Relay ON	Relay Off
TTL/CMOS Logic	Voltage < 1V	Voltage > 3.5V
Open Collector	Open Collector On	Open Collector Off

Output Type	ON State LED ON Readback as 1	OFF State LED OFF Readback as 0
Relay Contact	Relay ON	Relay Off

I-87063W Dimensions



I-87063W Default Setting

Configuration	Default Setting	Description
Type	40	Digital Input/Output
Baudrate	0A	115200 bps
Format	00	Checksum disable