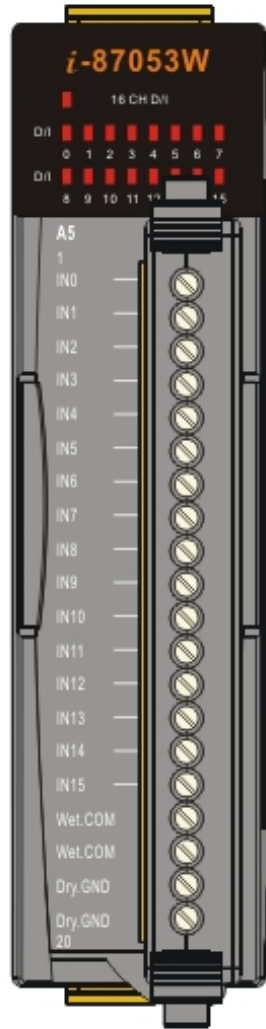


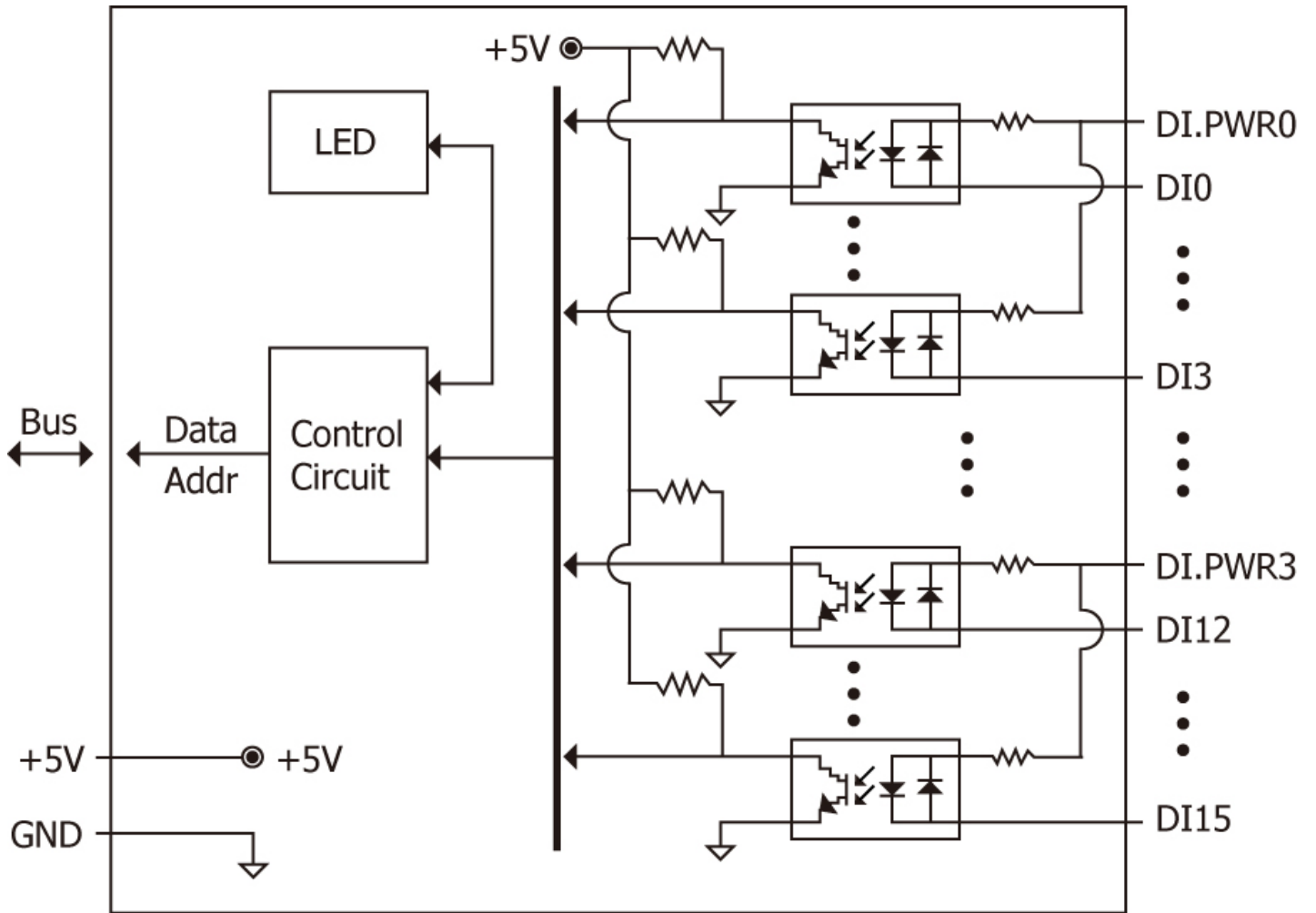
I-87053W_A5 Specifications		
Digital Input	Input channels	16
	Input Type	Dry+Wet = 16 (total)
	Dry Contact (Sink)	On Voltage Level: Close to GND Off Voltage Level: Open Effective Distance for Dry Contact: 500m Max.
	Wet Contact (Sink/Source)	On Voltage Level: +68V to +140VDC Off Voltage Level: +48V Max.
	Input Impedance	50K Ohms, 0.5W
	Counters	Channels: 16 Max. Input Frequency: 100Hz Min. Pulse Width; 5ms
	Intra-module Isolation, Field to Logic	3750 Vrms
	4KVESD Protection	Yes, contact for each terminal
LED Display	1 LED as Power/Communication indicator 16 LEDs as digital input indicators	
Power Consumption	Maximum : 0.9W	

I-87053W_A5 Pin Assignment

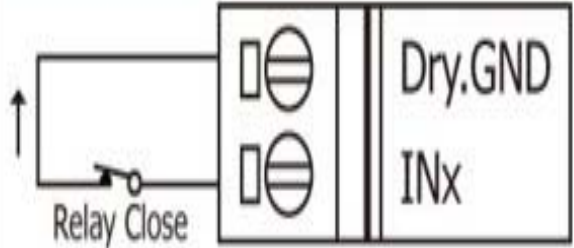
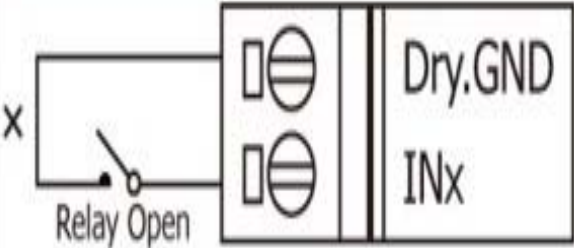
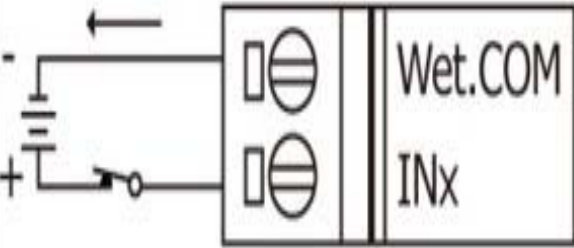
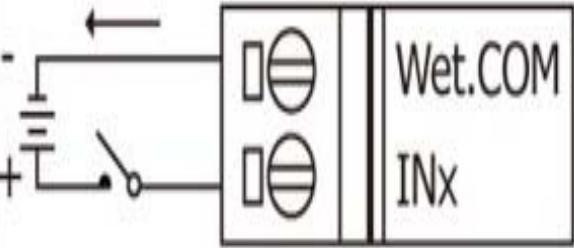
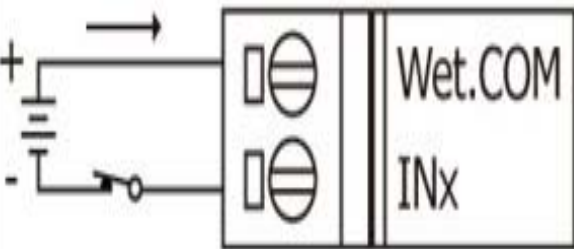
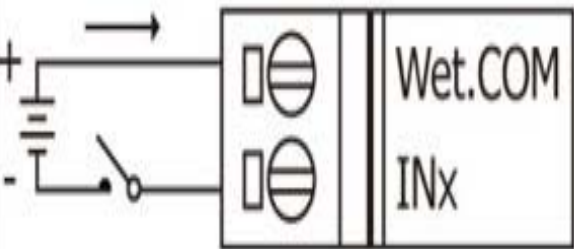


Terminal No.	Pin Assignment Name
01	IN0
02	IN1
03	IN2
04	IN3
05	IN4
06	IN5
07	IN6
08	IN7
09	IN8
10	IN9
11	IN10
12	IN11
13	IN12
14	IN13
15	IN14
16	IN15
17	Wet.COM
18	Wet.COM
19	Dry.GND
20	Dry.GND

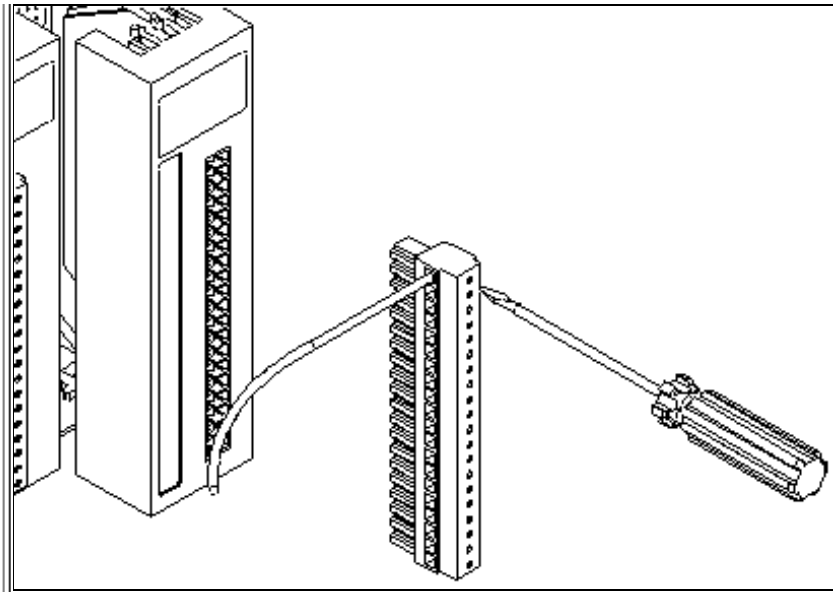
I-87053W_A5 Block Diagram



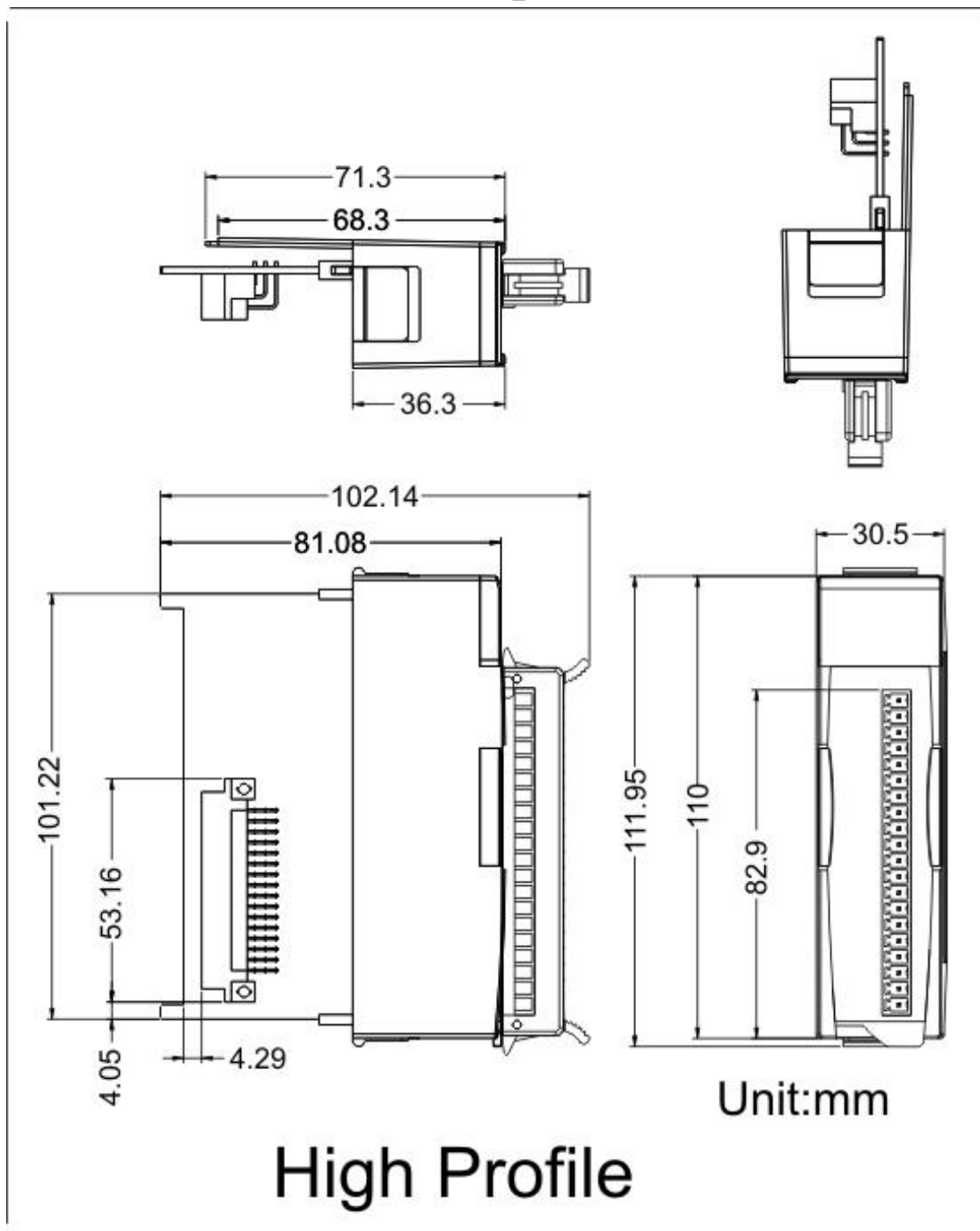
I-87053W_A5 Wire Connection

Input Type	On State, LED On Readback as 1	Off State, LED Off Readback as 0
Dry Contact	Relay On	Relay Off
		
Wet Contact (Source)	Voltage > 68V	Voltage < 48V
		
Wet Contact (Sink)	Open Collector On	Open Collector Off
		

Screw wire into I-87053W_A5



I-87053W_A5 Dimensions



I-87053W_A5 Default Setting

Configuration	Default Setting	Description
Type	40	Digital Input/Output
Baudrate	0A	115200 bps
Format	00	Checksum disable