

Home	About Company	Products	Download	Certification	Distributors	Application Stories	Partners	Training	FAQ	Activity	News & Events	Catalog
------	---------------	----------	----------	---------------	--------------	---------------------	----------	----------	-----	----------	---------------	---------

I-87052W Hardware



Internal I/O Structure

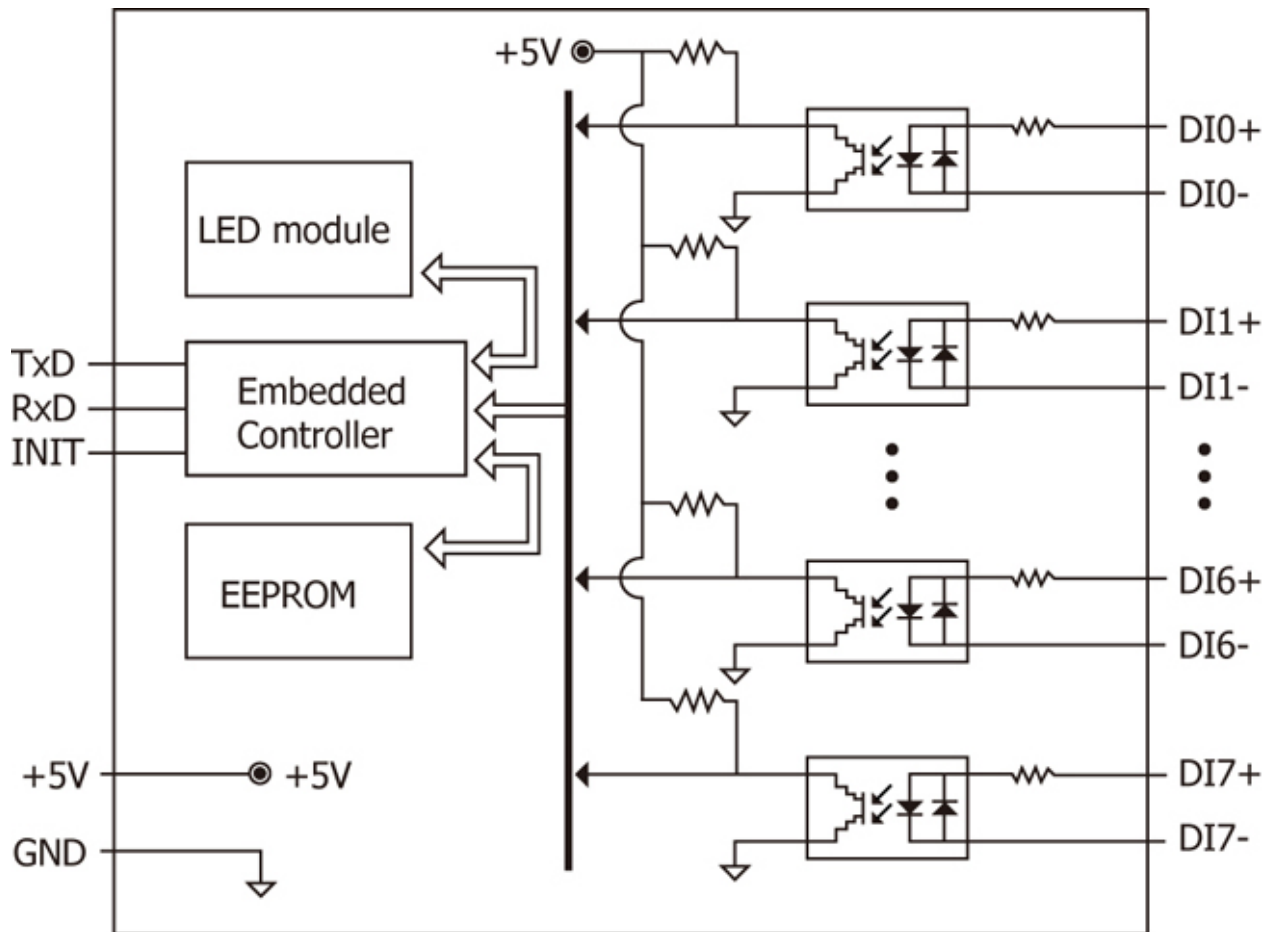


PIN Assignment



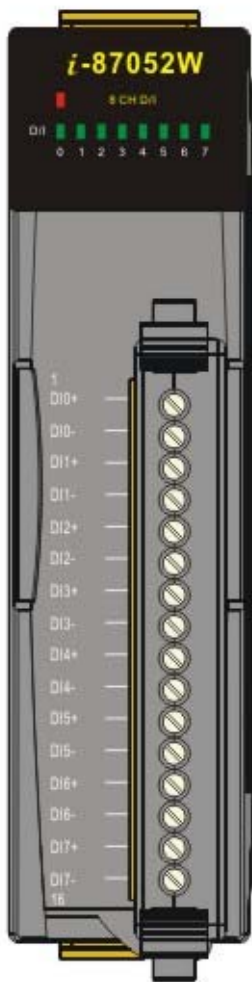
Wire Connection

Internal I/O Structure



[back](#)

PIN Assignments



Terminal No.	Pin Assignment
01	D10+
02	D10-
03	D11+
04	D11-
05	D12+
06	D12-
07	D13+
08	D13-
09	D14+
10	D14-
11	D15+
12	D15-
13	D16+
14	D16-
15	D17+
16	D17-

[back](#)

Wire Connection

Input Type	ON State LED ON Readback as 1	OFF State LED OFF Readback as 0
Relay Contact	Relay ON 	Relay Off
	TTL/CMOS Logic	Voltage < 1V
Open Collector	Open Collector On 	Open Collector Off

[back](#)

