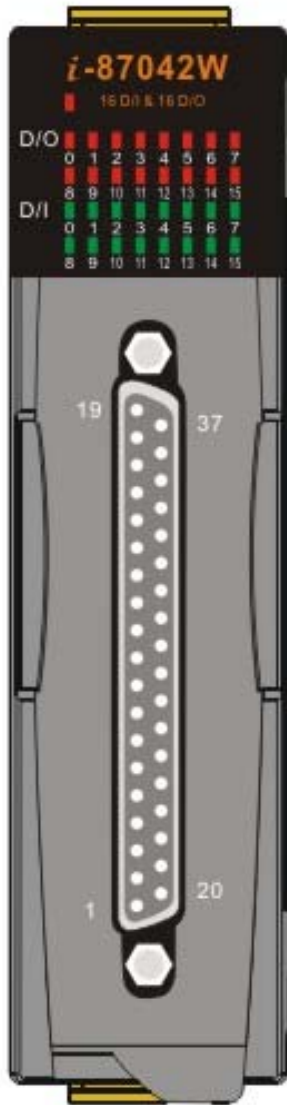


I-87042W Specification

Digital Output	Channels	16
	Load Voltage	5 VDC ~ 30 VDC
	Load Current	100 mA/Channel
	Isolation Voltage	3750 VDC
Digital Input	Channels	16
	Input Voltage	0 VDC ~ 30 VDC
	ON State	3.5 VDC(mininum)
	OFF State	2 VDC(maxinum)
	Input Impedance	3 kOhm
	Isolation Voltage	3750 VDC
LED Display	1 LED as Power indicator 16 LEDs as Digital Output indicators 16 LEDs as Digital Input indicators	
Power Consumption	Maximum 1.25 W	

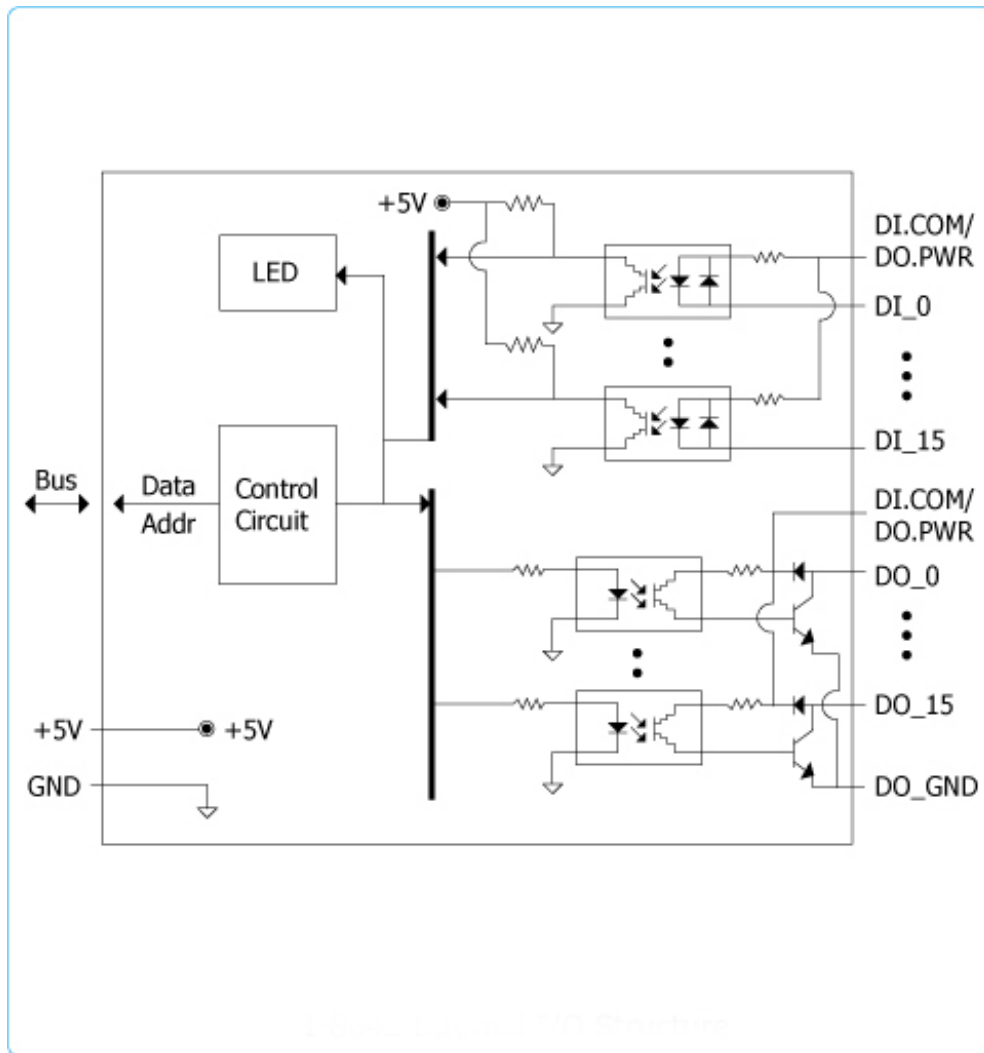
I-87042W Pin Assignment



Pin Assignment	Terminal No.	Pin Assignment
DI.COM/DO.PWR	19	
DO.GND	18	37 DI.COM/DO.PWR
DO.GND	17	36 DO.GND
DI_15	16	35 DO_15
DI_14	15	34 DO_14
DI_13	14	33 DO_13
DI_12	13	32 DO_12
DI_11	12	31 DO_11
DI_10	11	30 DO_10
DI_9	10	29 DO_9
DI_8	09	28 DO_8
DI_7	08	27 DO_7
DI_6	07	26 DO_6
DI_5	06	25 DO_5
DI_4	05	24 DO_4
DI_3	04	23 DO_3
DI_2	03	22 DO_2
DI_1	02	21 DO_1
DI_0	01	20 DO_0

37-pin male D-Sub Connector

I-87042W Internal Structure



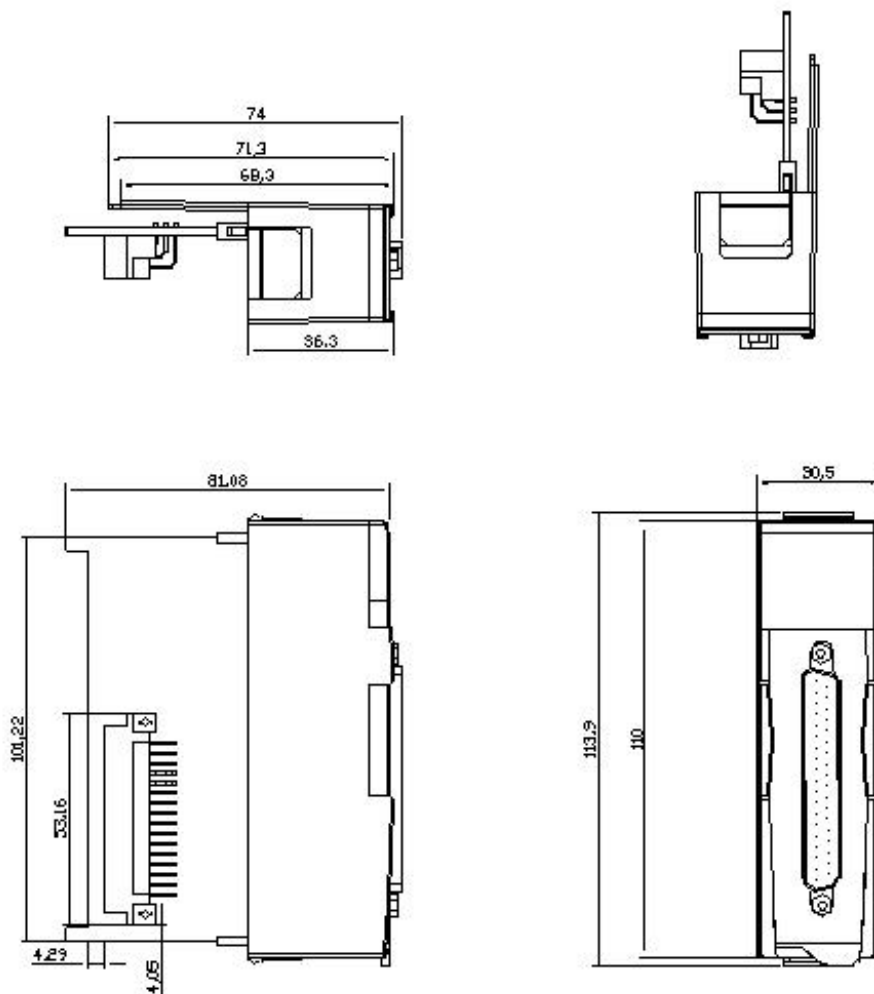
I-87042W Wire Connection

Select Type		
Source Type	Sink Type	
<p>JP3</p> <p>EXT.PWR DI.COM EXT.GND</p>	<p>JP3</p> <p>EXT.PWR DI.COM EXT.GND</p>	
Input Type	ON State LED ON Readback as 1	OFF State LED OFF Readback as 0
Relay Contact (Sink)	Relay ON	Relay OFF
	<p>Relay Close DI.COM/DO.GND DIx</p>	<p>Relay Open DI.COM/DO.GND DIx</p>

	Voltage > 3.5 V	Voltage < 1 V
TTL/CMOS Logic (Sink)	<p>Logic Level Low</p> <p>Logic Power</p> <p>DI.COM/DO.GND DIx</p>	<p>Logic Level High</p> <p>Logic Power</p> <p>DI.COM/DO.GND DIx</p>
NPN Output (Sink)	Open Collector ON	Open Collector OFF
	<p>DI.COM/DO.GND DIx</p>	<p>DI.COM/DO.GND DIx</p>
PNP Output (Sink)	Open Collector ON	Open Collector OFF
	<p>DI.COM/DO.GND DIx</p>	<p>DI.COM/DO.GND DIx</p>
Input Type	ON State LED ON Readback as 1	OFF State LED OFF Readback as 0
Relay Contact (Source)	Relay ON	Relay OFF
	<p>DI.COM/DO.PWR DIx</p> <p>Relay Close</p>	<p>DI.COM/DO.PWR DIx</p> <p>Relay Open</p>
	Voltage > 3.5 V	Voltage < 1 V
TTL/CMOS Logic (Source)	<p>Logic Power</p> <p>Logic Level Low</p> <p>DI.COM/DO.PWR DIx</p>	<p>Logic Power</p> <p>Logic Level High</p> <p>DI.COM/DO.PWR DIx</p>
NPN Output (Source)	Open Collector ON	Open Collector OFF
	<p>DI.COM/DO.PWR DIx</p>	<p>DI.COM/DO.PWR DIx</p>
PNP Output (Source)	Open Collector ON	Open Collector OFF
	<p>DI.COM/DO.PWR DIx</p>	<p>DI.COM/DO.PWR DIx</p>
Output Type	ON State LED ON Readback as 1	OFF State LED OFF Readback as 0

	Feedback as 1	Feedback as 0
	Relay ON	Relay OFF
Drive Relay		
Resistance Load		

I-87042W Dimension



Unit: mm

High Profile

Configuration	Default Setting	Description
Type	40	Digital Input/Output
Baudrate	0A	115200 bps
Format	00	Checksum disable

[Back to Previous Page](#)

Last Modified 12/22/2010 03:38:42