

I-87037W Command Set on 8k Unit Specifications

Digital Output	Outputs per module	16 (Source)
	Output Type	Isolated open-collector
	Max load current	700mA per channel
	Load voltage	+10V to +40VDC
	Overvoltage Protection	47 V _{DC}
	Overload Protection	Yes
	Short-circuit Protection	Yes
	Power On Value	Yes, Programmable
	Safe Value	Yes, Programmable
	Isolation Voltage	3750 VDC
LED Display	1 LED as Power/Communication indicator 16 LEDs as digital output indicators	
4KV ESD Protection	Yes, contact for each terminal	
Power Consumption	Maximum : 0.41W	

I-87037W Pin Assignment

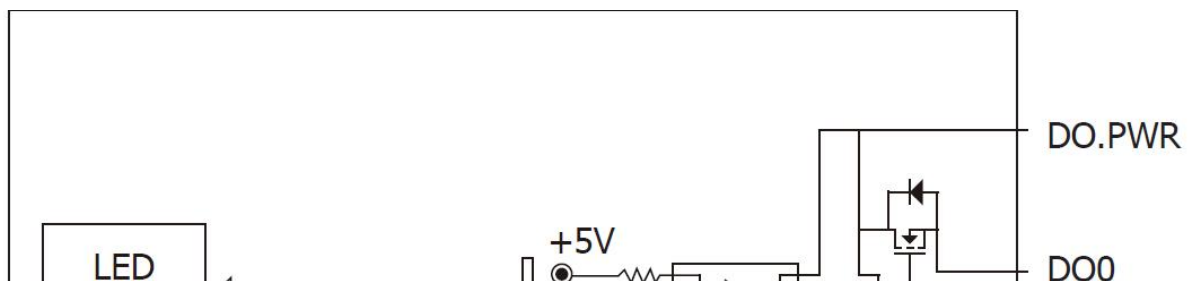


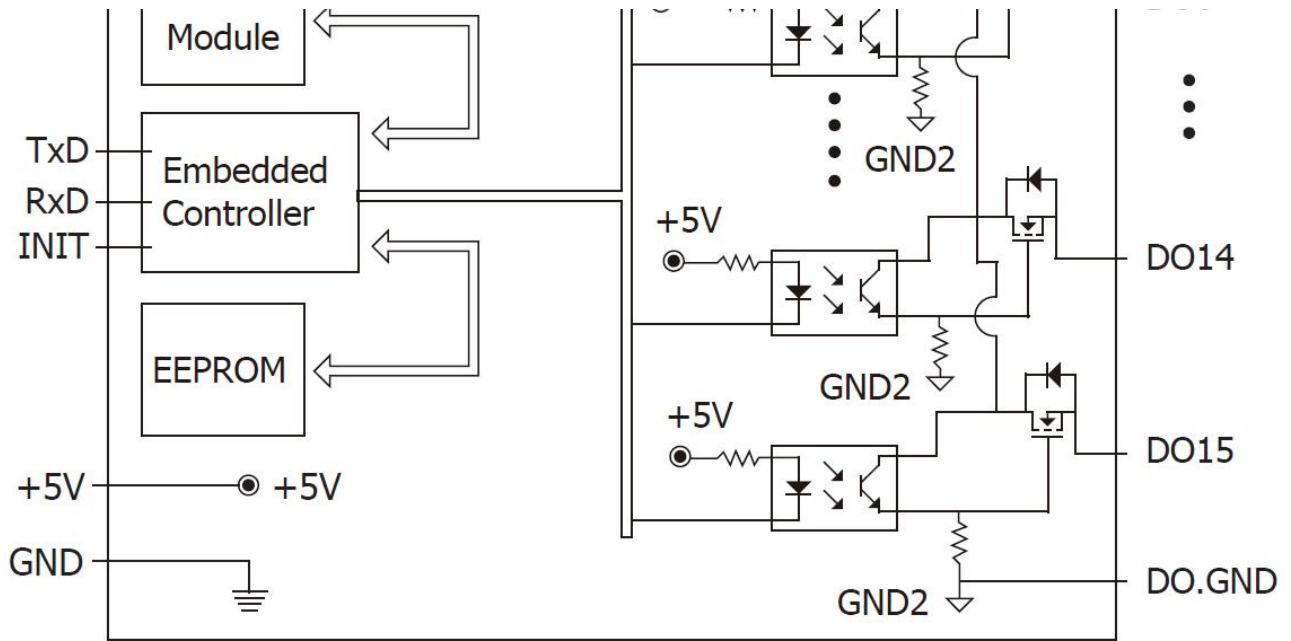
Terminal No.	Pin Assignment
1	DIO



01	DO0
02	DO1
03	DO2
04	DO3
05	DO4
06	DO5
07	DO6
08	DO7
09	DO8
10	DO9
11	DO10
12	DO11
13	DO12
14	DO13
15	DO14
16	DO15
17	DO.GND
18	DO.GND
19	DO.PWR
20	DO.PWR

I-87037W Block Diagram

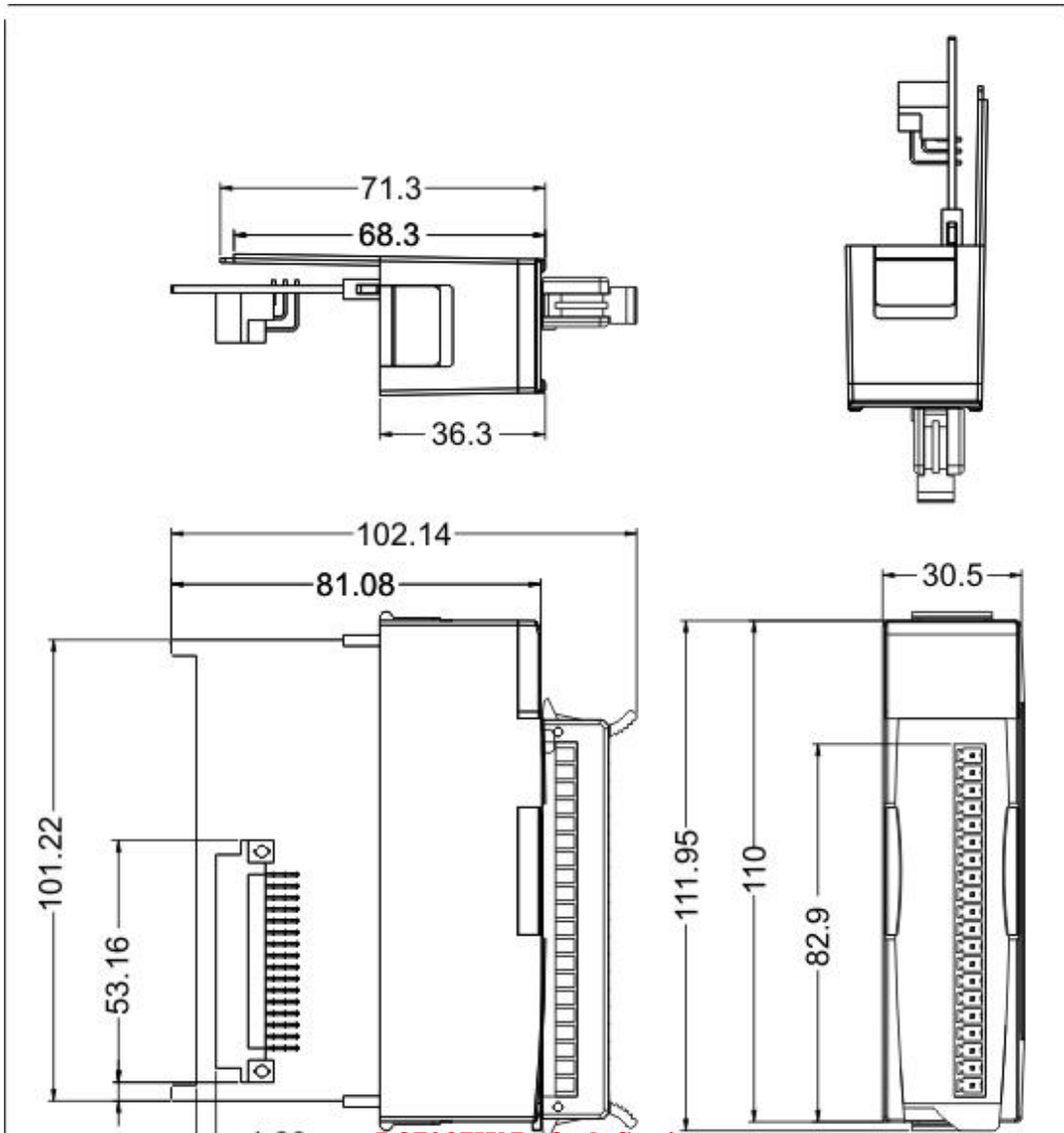




I-87037W Wire Connection

Output Type	ON State LED ON Readback as 1	OFF State LED OFF Readback as 0
	Relay ON	Relay Off
Drive Relay		
Resistance Load		

I-87037W Dimensions



I-87037W Default Setting

Unit:mm

Configuration	Default Setting	Description
Type	High Profile 40	Digital Input/Output
Baudrate	0A	115200 bps
Format	00	CheckSum disable

[Back to Previous Page](#)

Last Modified 04/18/2011 09:32:48