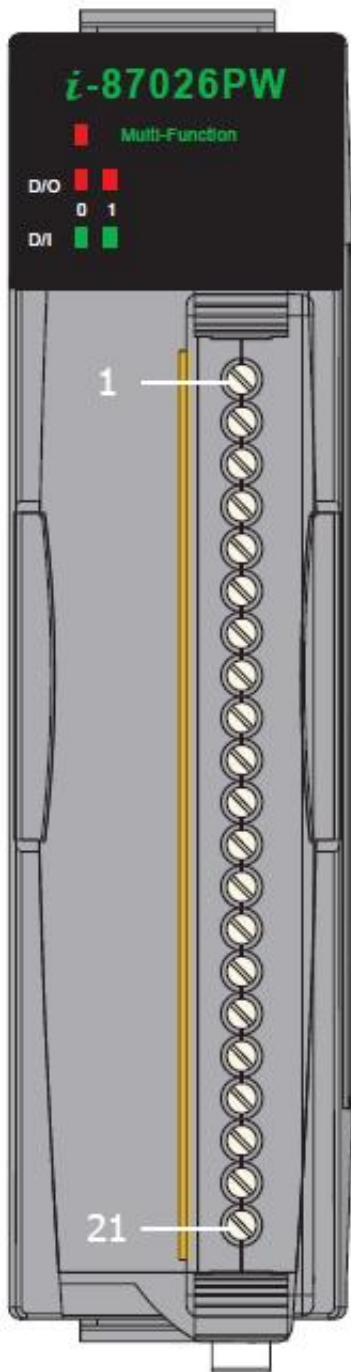


I-87026PW Specification

Analog Input	Input Channels	6 (Differential)
	Input Type	+/-150mV, +/-500 mV, +/-1V, +/-5 V, +/-10 V,+/-20 mA, (Jumper Selectable)
	Resolution	16-bit(Normal Mode) 12-bit(Fast Mode)
	Sampling Rate	10 samples/second total(Normal Mode) 60 samples/second total(Fast Mode)
	Accuracy	+/- 0.1% (Normal) +/- 0.5% (Fast)
	Voltage Input Impedance	2 MOhm
	Current Input Impedance	125 Ohm
	Overvoltage Protection	240 Vrms
Analog Output	Output Channels	2
	Output Type	+0 V ~ +5 V, +/-5 V, +0 V ~ +10 V, +/-10 V,+0 mA ~ +20 mA, +4 mA ~ +20 mA(Jumper Selectable)
	Resolution	12-bit
	Accuracy	+/-0.1% of FSR
	Voltage Output Capability	10 V @ 20 mA
	Current Load Resistance	500 Ohms
	Power-Up and Safe Value	Yes
	Open Wire Detection for Current Output	Yes, Only 4 ~ 20 mA.
Digital Input	Input Channels	2
	Input Type	Wet contact (Sink)
	On Voltage Level	+3.5 VDC ~ 50 VDC
	Off Voltage Level	+1 VDC Max.
	Input Impedance	10 K Ω , 0.66W
Digital Output	Output Channels	2

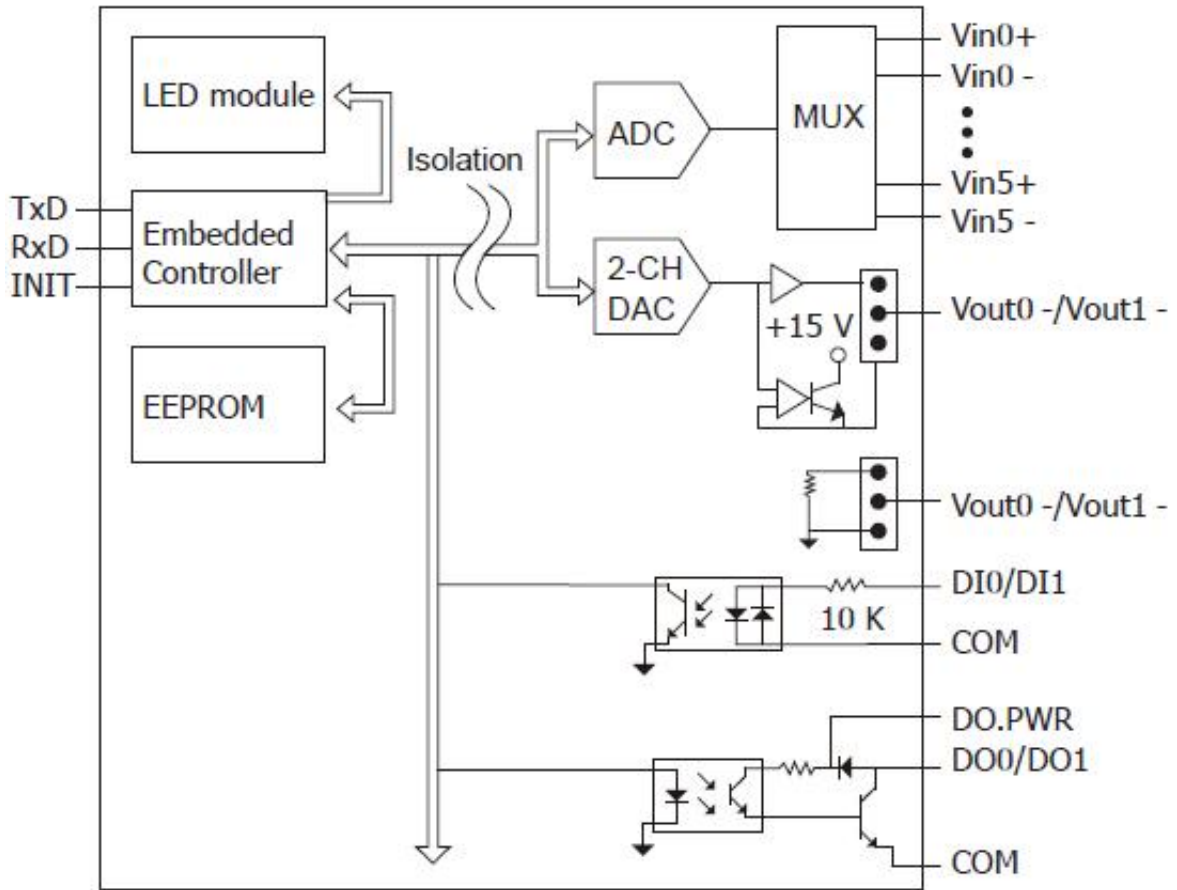
	Output Type	Isolated Open Collector (Sink)
	Max Load Current	700 mA/channel Max.
	Load Voltage	+3.5 VDC ~ +50 VDC
Isolation	2500 VDC	
ESD Protection	+/-4 kV Contact for Each Terminal +/-8 kV Air for Random Point	
LED Display	1 LED as Power/Communication indicator	
Power Consumption	Maximum : 2W	

I-87026PW Pin Assignment



Terminal No.	Pin Assignment
01	Vin0+
02	Vin0 -
03	Vin1+
04	Vin1 -
05	Vin2+
06	Vin2 -
07	Vin3+
08	Vin3 -
09	Vin4+
10	Vin4 -
11	Vin5+
12	Vin5-
13	Vout0+
14	Vout0 -
15	Vout1+
16	Vout1 -
17	DO0
18	DO1
19	DI0
20	DI1
21	COM

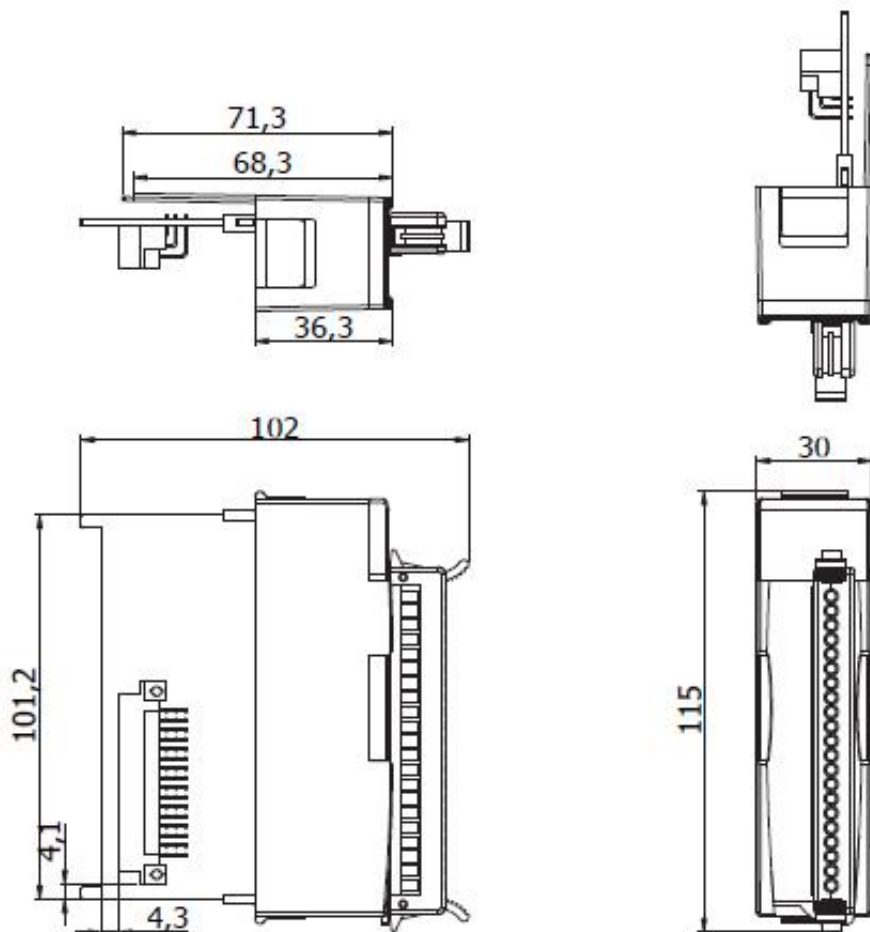
I-87026PW Block Diagram



I-87026PW Wire Connection

Voltage Input		
Current Input		
Voltage Output		
Current Output		
Digital Input/Counter	ON State Readback as 1	OFF State Readback as 0
Wet Contact (Sink)		
Digital Output	ON State Readback as 1	OFF State Readback as 0
Open Collector (Sink)	<p>3.5 ~ 50 Vdc</p>	<p>3.5 ~ 50 Vdc</p>

I-87026PW Dimention



I-87026PW Default Setting

Configuration	Default Setting	Description
Type	08	-10V to +10V
Baudrate	0A	115200 bps
Format	00	60Hz rejection CheckSum disable Engineer Unit Format

[Back to Previous Page](#)

Last Modified 12/21/2011 09:07:28