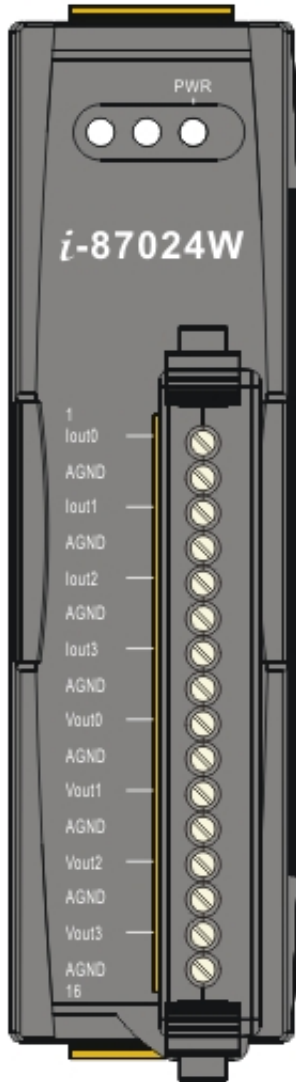


I-87024W Specification

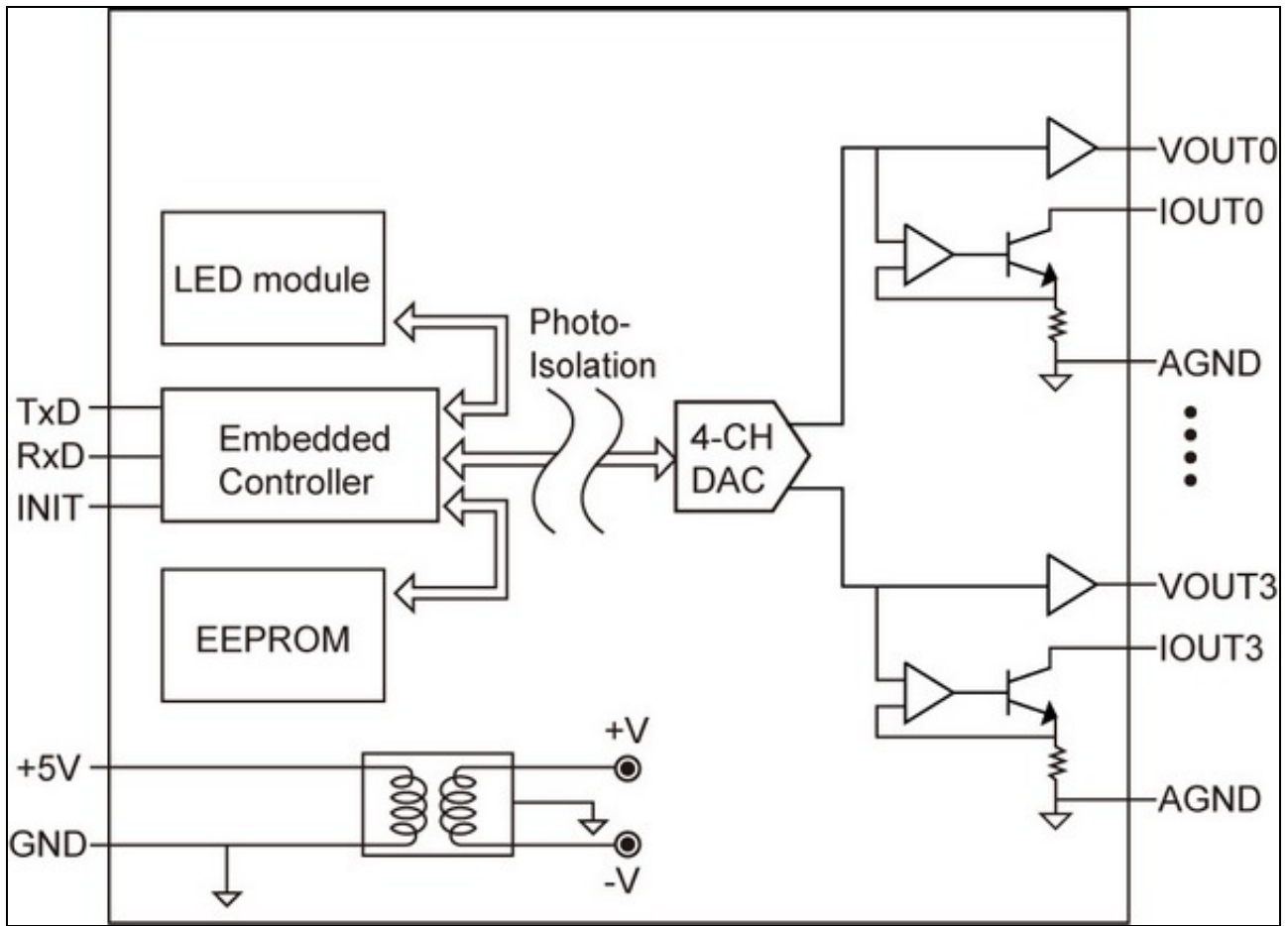
Analog Output	Output Channel	4 channels
	Output Type	0 ~ 20mA, 4 ~ 20mA 0 ~ 5V, 0 ~ 10V +/- 5V, +/- 10V
	Accuracy	+/- 0.1% of FSR
	Resolution	+/- 0.02% of FSR
	Zero Drift	Voltage : +/- 30 μ V/ $^{\circ}$ C Current : +/- 0.2 μ A/ $^{\circ}$ C
	Span Temperature Coefficient	+/- 20ppm/ $^{\circ}$ C
	Programmable Output Slope	Voltage : 0.0625 to 1024V/Second Current : 0.125 to 2048mA/Second
	Voltage Output Capability	20mA max (sink/source)
	Current Load Capability with 24V external power	1050 Ohms max
	Isolation Voltage	3000VDC
LED Display	1 LED as Power/Communication indicator	
Power Consumption	Typical : 1.1W Maximum : 4.0W(4 channels output 10V@20mA)	

I-87024W Pin Assignment



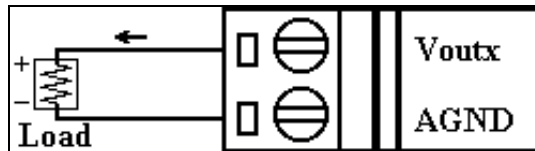
Terminal No.	Pin Assignment Name
01	lout0
02	AGND
03	lout1
04	AGND
05	lout2
06	AGND
07	lout3
08	AGND
09	Vout0
10	AGND
11	Vout1
12	AGND
13	Vout2
14	AGND
15	Vout3
16	AGND

I-87024W Block Diagram

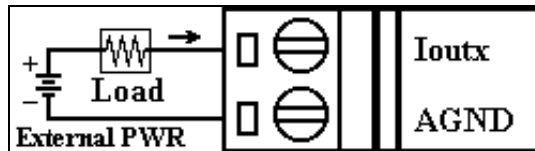


I-87024W Wire Connection

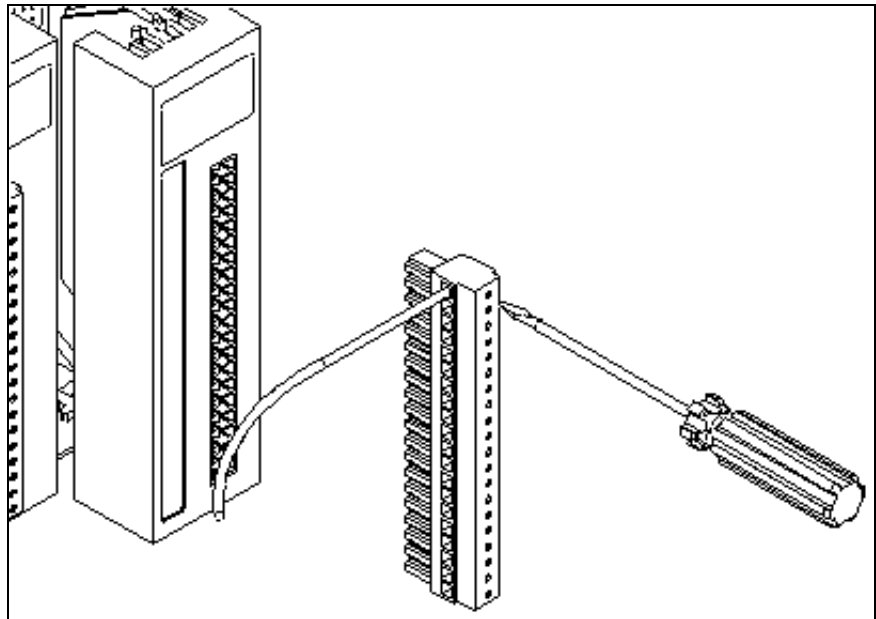
Voltage Output Wiring



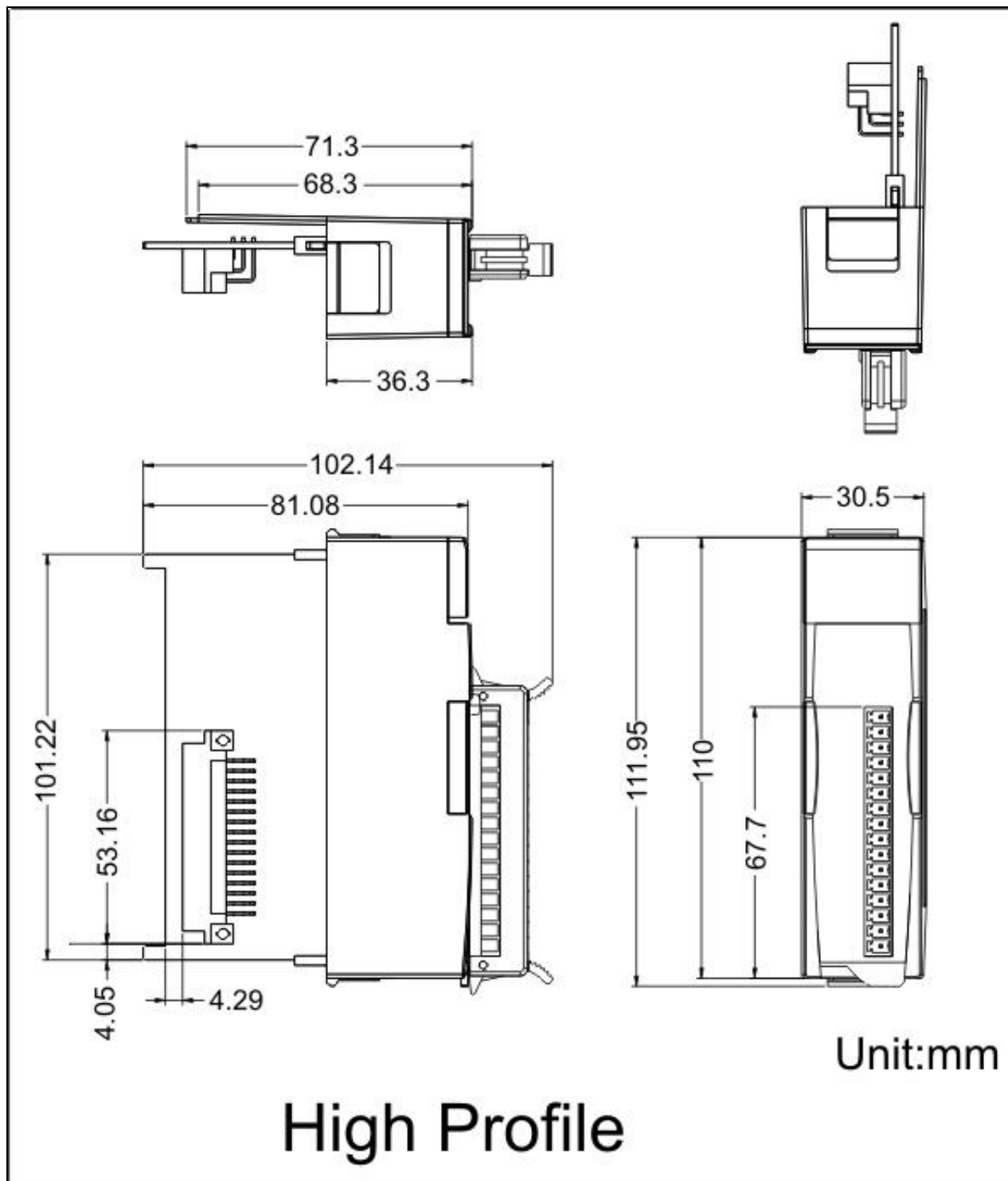
Current Output Wiring



Screw wire into I-87024W



I-87024W Dimention



I-87024W Default Setting

Configuration	Default Setting	Description
Type	33	-10 to 10V
Baudrate	0A	115200 bps
Format	00	CheckSum disable Immediate Output

[Back to Previous Page](#)

Last Modified Thu, 30 Oct 2008 05:32:26 GMT