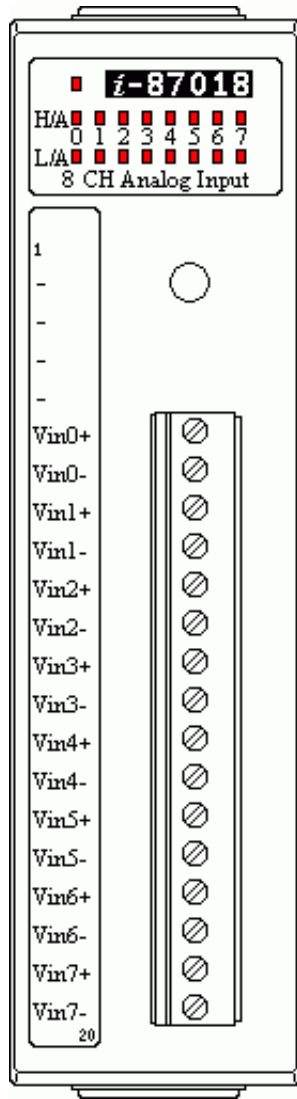


I-87018 Specification

Analog Input	Input Channel	8 differential input channels
	Input Type	+/- 15mV, +/- 50mV, +/- 100mV +/- 500mV, +/- 1V, +/- 2.5V +/- 20mA (with external 125 Ohms resistor) Thermocouple : J, K, T, E, R, S, B, N, C, L, M, L2
	Sampling Rate	10 samples/second total
	-3dB BandWidth	15.7Hz
	Accuracy	+/-0.1%
	Common Mode Rejection	150dB @50/60Hz
	Normal Mode Rejection	100dB @50/60Hz
	Voltage Input Impedance	20M Ohms
	Overvoltage Protection	-35V to +35V maximum
	Isolation Voltage	3000Vrms
LED Display	1 LED as Power/Communication indicator 16 LEDs as High/Low Alarm signals	
Power Consumption	Maximum : 0.9W	

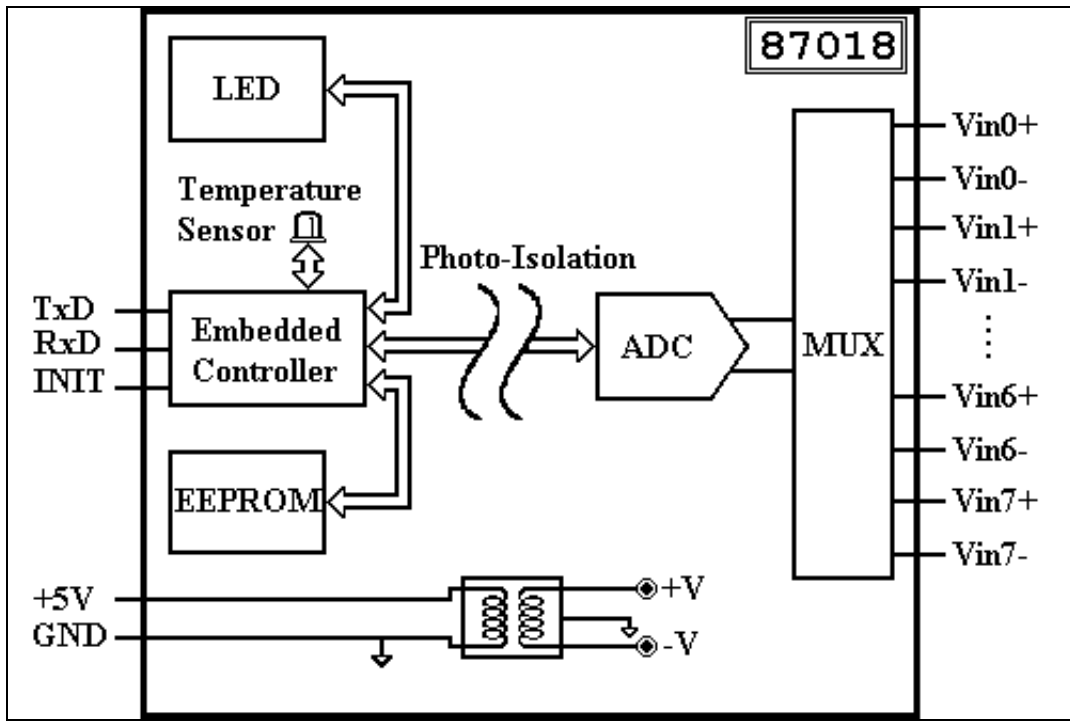
I-87018 Pin Assignment

Terminal Number	Pin Name
5	Vin0+
6	Vin0-
7	Vin1+



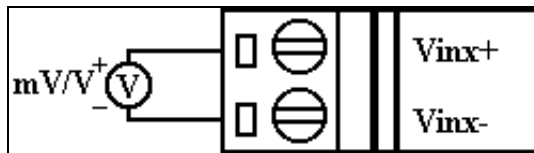
8	Vin1-
9	Vin2+
10	Vin2-
11	Vin3+
12	Vin3-
13	Vin4+
14	Vin4-
15	Vin5+
16	Vin5-
17	Vin6+
18	Vin6-
19	Vin7+
20	Vin7-

I-87018 Block Diagram

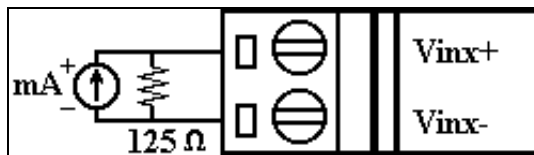


I-87018 Wire Connection

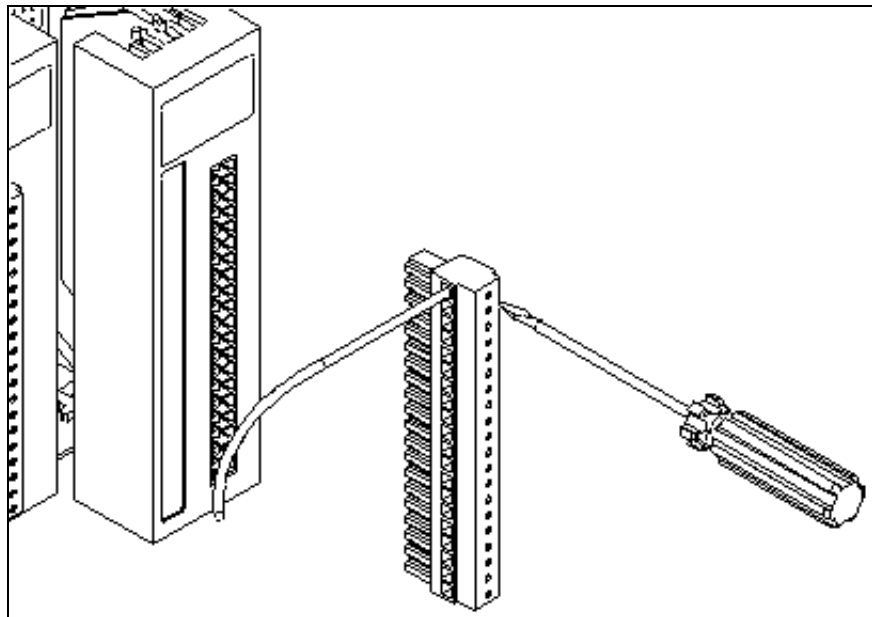
Voltage Input Wiring

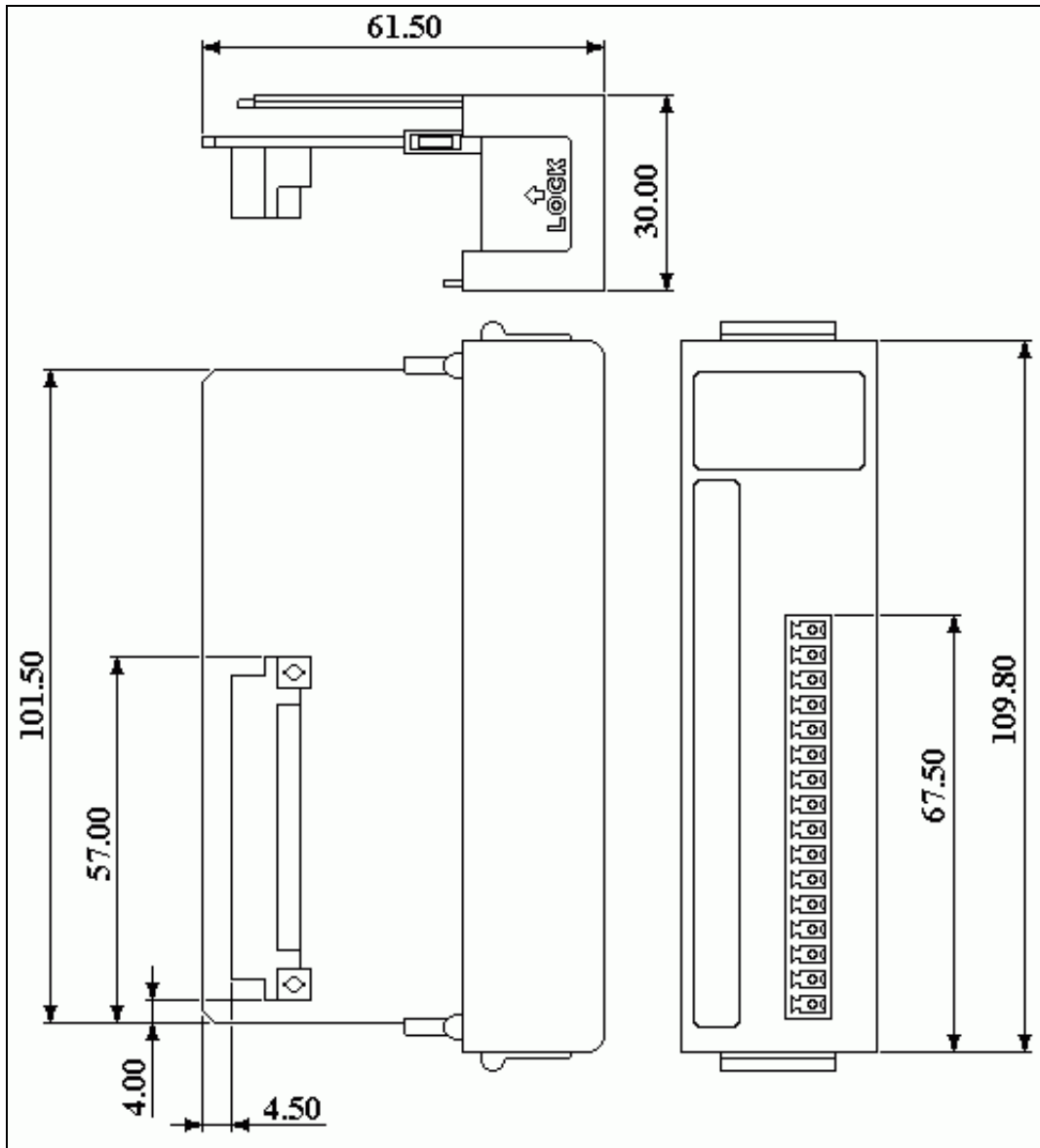


Current Input Wiring



Screw wire into I-87018



I-87018 Dimention**I-87018 Default Setting**

Configuration	Default Setting	Description
Type	05	-2.5V to +2.5V
Baudrate	0A	115200 bps
Format	00	60Hz rejection Checksum disable Engineer Unit Format

[Back to Previous Page](#)

Last Modified 12/21/2011 09:05:53