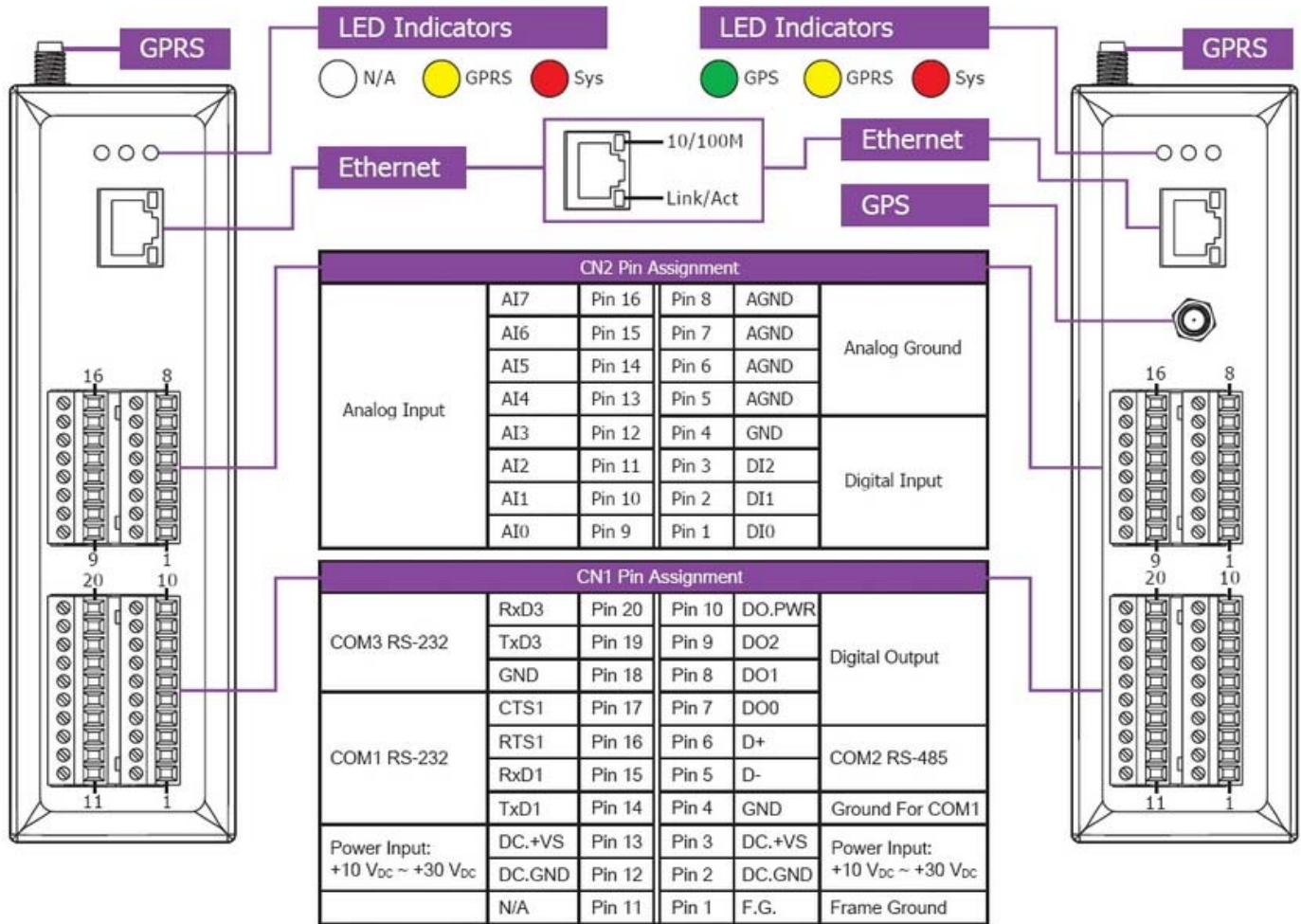


PIN Assignment



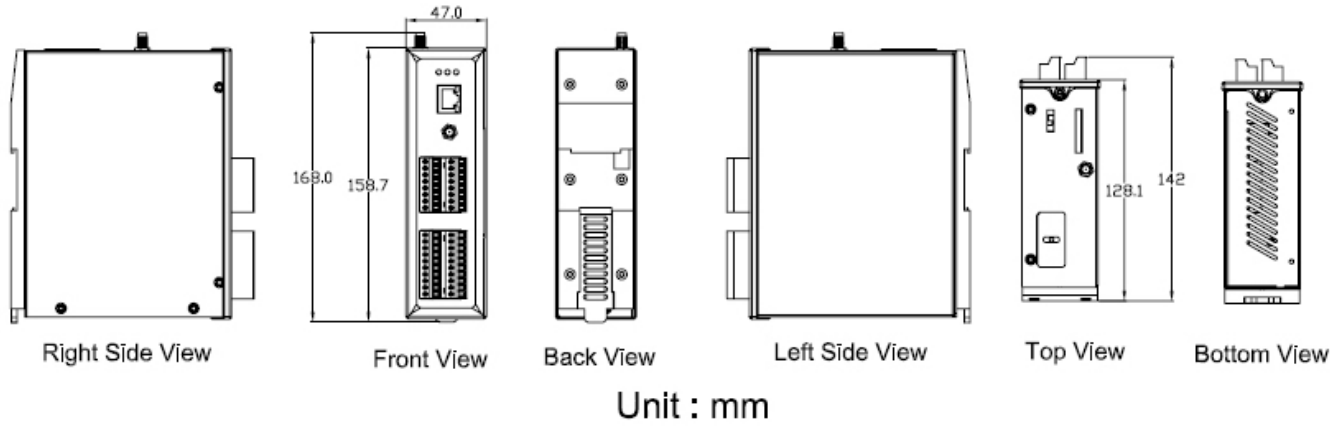
Mode Switch

	Operation Mode Switch
RUN	OS can execute autoexec.bat Flash can be read/wirte.
Lock	OS can execute autoexec.bat Flash is read only (lock).
INIT	OS can not execute autoexec.bat Flash can be read/wirte.

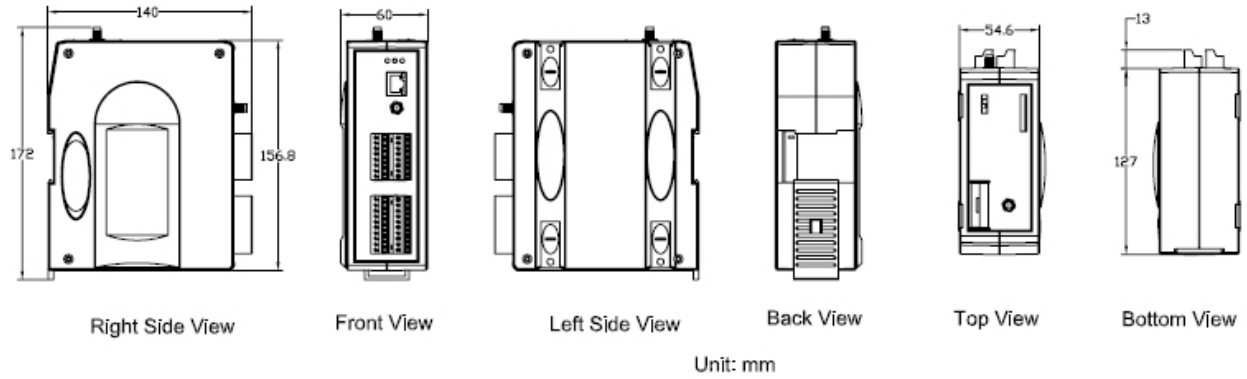
[back](#)

Dimensions

G-4500 Series



GD-4500 Series



[back](#)

Wire Connection

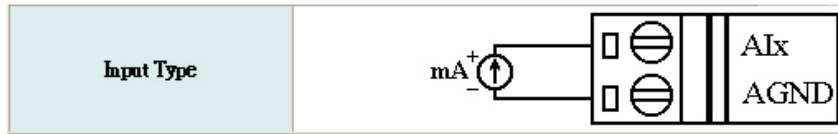
Digital Input Wire Connection

Input Type	DI Value as 0	DI Value as 1
Relay Contact	Relay ON 	Relay Off
	Voltage < 1V Logic Level Low 	Voltage > 3.5V Logic Level High
Open Collector	Open Collector On 	Open Collector Off

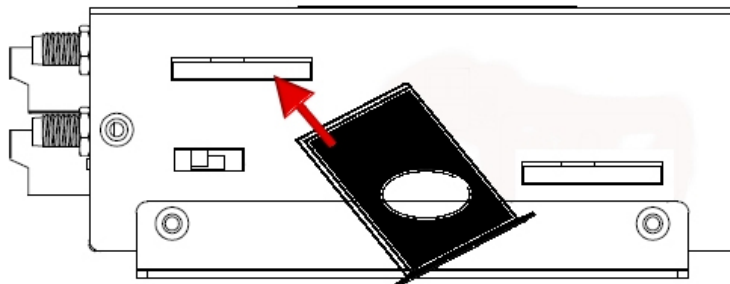
Digital Output Wire Connection

Output Type	DO Command as 0	DO Command as 1
	Relay ON	Relay Off
Drive Relay		
Resistance Load		

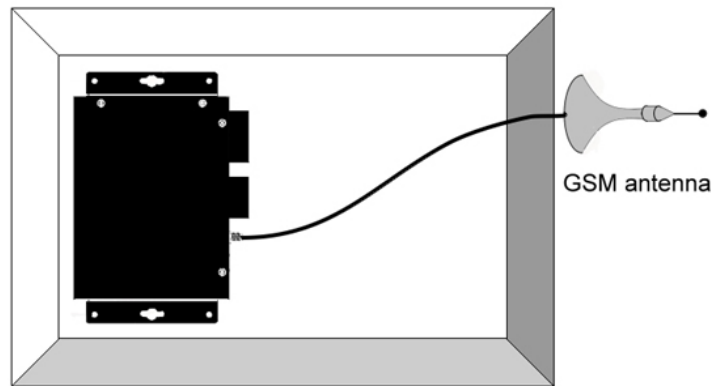
Current Input Wire Connection



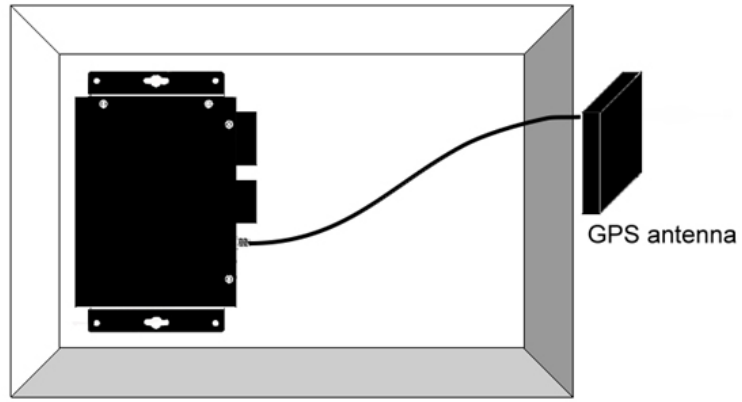
SIM Card Installation



GPRS/GSM Antenna Installation



GPS Antenna Installation



[back](#)

Copyright© ICP DAS Co., Ltd. All Rights Reserved