

Packing List

In addition to this guide, the package includes the following items:



DLW-1xxx Series



Filter x4 (Note 1)



4SIVW0000205 x2



CA-05BFFM-LL7A01 x2



4SASO-0001

Technical Support

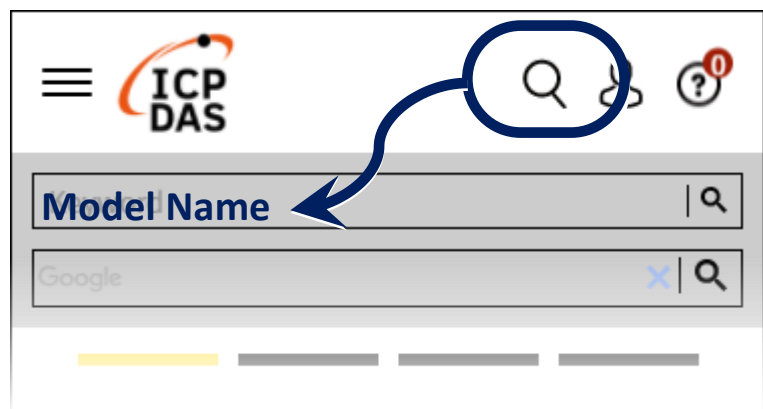
service@icpdas.com

www.icpdas.com

Resources

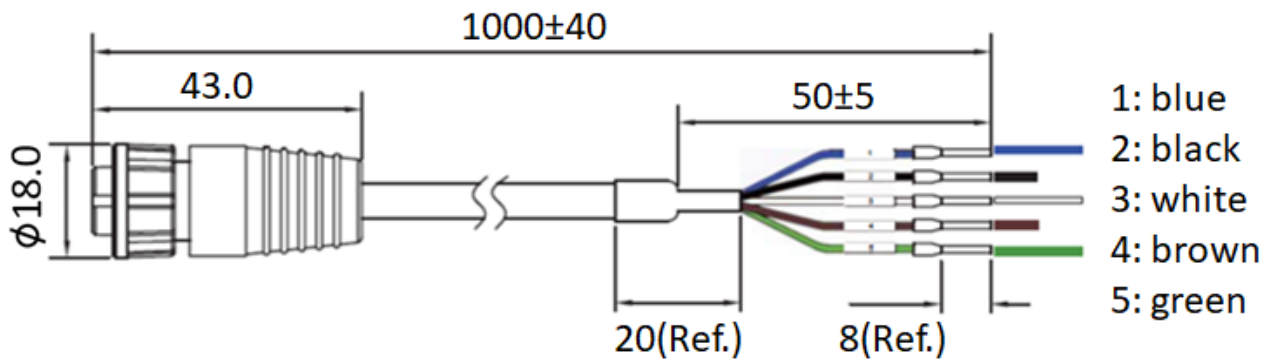
How to search for drivers, manuals and spec information on ICP DAS website.

- For Mobile Web



- For Desktop Web

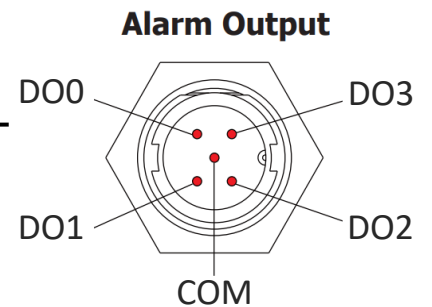
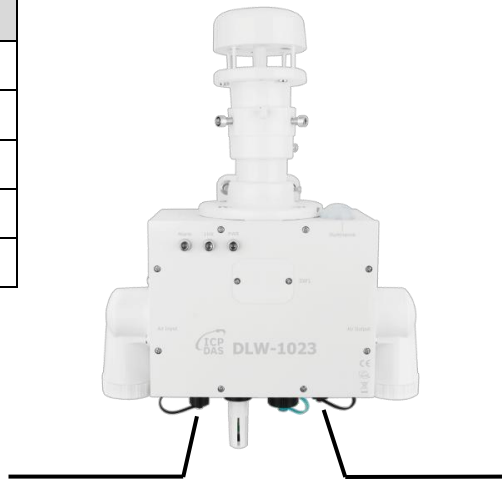
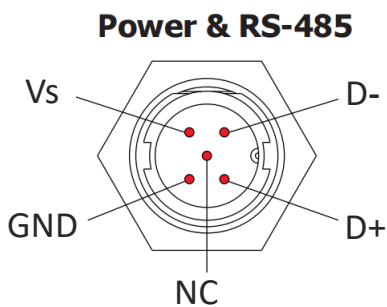
Connector for Power/ RS-485/ Alarm Relay Output



Pin Assignments

Power & RS-485	
1-Blue	Vs
2-Black	GND
3-White	D+
4-Brown	D-
5-Green	NC

Alarm Output	
1-Blue	DO0
2-Black	DO1
3-White	DO2
4-Brown	DO3
5-Green	COM



Note 1: Filter patches are not included for **DLW-1000, DLW-1100, DLW-1200, DLW-1300** and other models without ventilation fans.