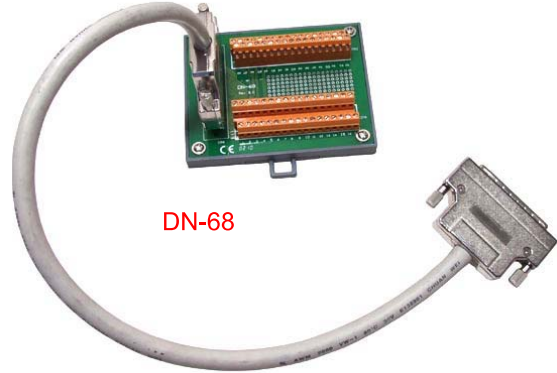


PISO-ENCODER600

6-axis 32-bits Encoder board



Functional Description

The PISO-ENCODER600 has a 6-axis encoder counter and each axis has a 32-bits, true counter with maximum counting rate of 1MHz. The counting mode has 3 types of selections: 1. QUADRANT mode, 2. CW_CCW mode, 3. PULSE_DIR mode. The PISO-ENC600 provides 3 kinds of counter reset mode: 1. register reset, 2. index reset, 3. hardware reset. The Index reset resets by using a C+/C- channel, which will reset every revolution. The hardware reset resets by an external pin (HR1~HR6). The HR1~HR6 also can be a digital input. The PISO-ENC600 also provides 8-channel digital outputs. 2500Vrms photo couplers isolate the digital I/O. This board provides DOS, windows 95 and windows NT drivers.

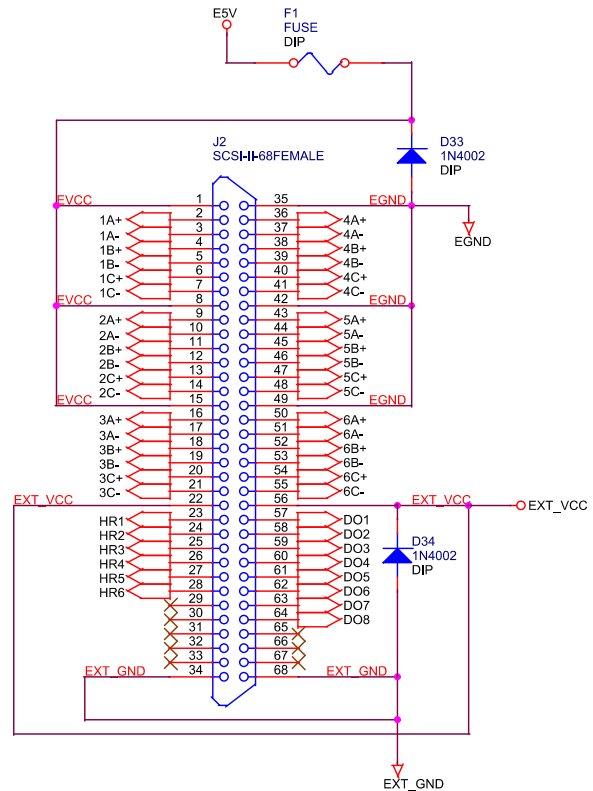
Features

- PCI bus
- 6-axis Encoder counter
- True 32 bits counter
- Maximum counting rate: 1MHz.
- Third-order internal digital filter.
- Counting mode: Quadrant, CW_CCW, PULSE_DIR
- A+, A-, B+, B-, C+, C- inputs.
- Programmable reset counter function.
- Index (C channel) reset counter function.
- Hardware reset (HR1~HR6), reset counter function
- DOS, Windows 95/98, Window NT drivers(source code)
- BCB, VB and Delphi demos with source code.

Specifications

- Number of axis: 6
- PCI bus
- Counter Resolution: 32 bits
- Maximum pulse rate: 1MHz.
- 8 digital inputs, 7 digital outputs.
- 2500V optical isolation.
- Connector: SCSI-II 68-pin female connector
- Power requirement: +5V@ 675mA typical.
- Operating temp range: 0°~60°C
- Storage temp range: -20°~70°C
- Humidity: 95% non-condensing
- Weight: 0.67Kg
- Dimensions: 157mm x 106mm

Pin Assignment



Ordering Information

PISO-ENCODER600: 6-axis 32-bit Encoder Board

Options

DN-68: Daughter board with 2 meters SCSI-II cable