



Making Data Acquisition Easy

CAGE/NCAGE CODE: 3FNFO

tM-7561 RS-485 to USB converter Quick Start Guide

Product Website:

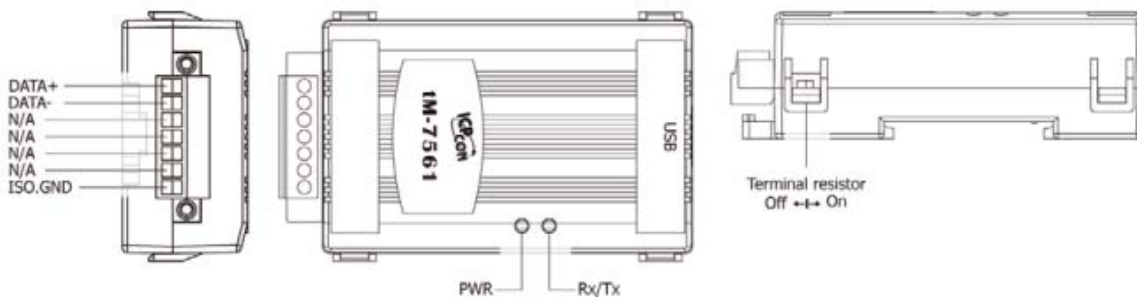
https://www.icpdas-usa.com/tm_7561.html

1. Introduction

The tM-7561 is a cost-effective RS-485 to USB converter. A RS-485 to USB converter allows users to access RS-485 devices through a USB interface. Like our I-7520 RS-232 to RS-485 converter, the tM-7561 also contains a "Self-Tuner" chip that auto-tunes the baud rate and data format to the RS-485 network. The tM-7561 RS-485 to USB converter is powered by the USB port and no external power adapter is needed.



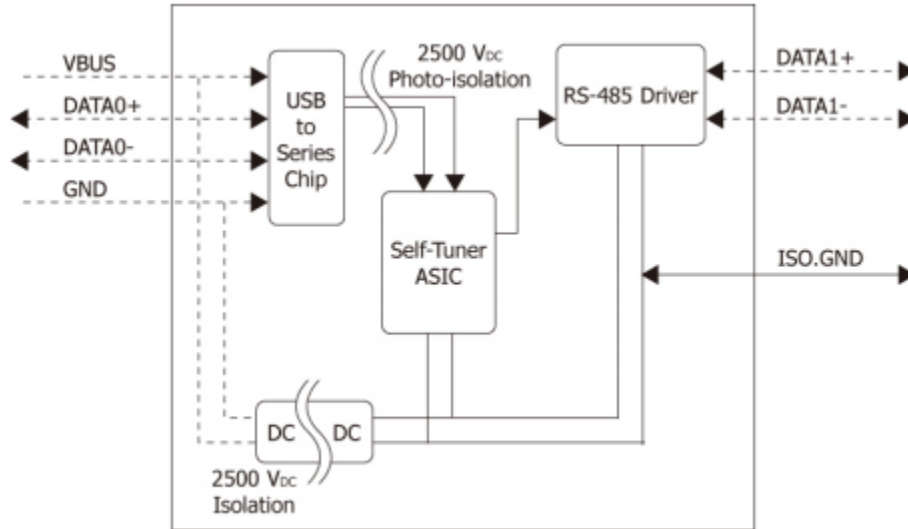
2. Pin Assignment



tM-7561 RS-485 to USB converter- QuickStart (Apr/2017)

ICP DAS USA, Inc. | www.icpdas-usa.com | 1-310-517-9888 | 24309 Narbonne Ave. Suite 200. Lomita, CA 90717

3. Block Diagram



4. Application

