



ET-7000 series

Quick Start Manual



Version 1.02
Feb 2009

Package checklist

The package includes the following items:

- One ET-7000 hardware module
- One Quick Start Manual
- One software utility CD
- One screw driver

Note:

If any of these items are missed or damaged, contact the local distributors for more information. Save the shipping materials and cartons in case you want to ship in the future.

Related documents and firmware

Documents

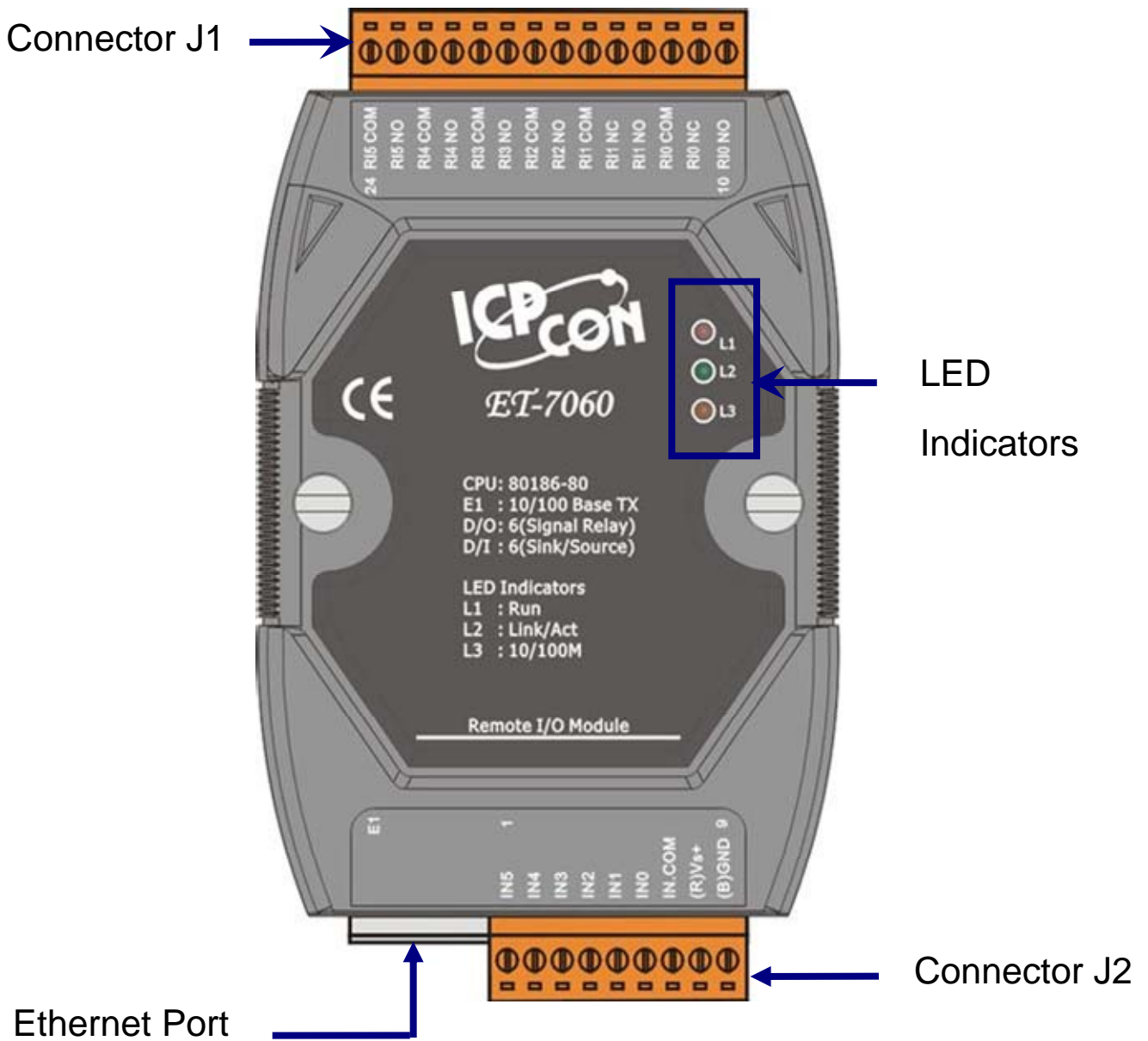
- User Manual:
 - ET7000_User_Manual.pdf for Digital Output/Input modules
 - ET7K_AIO_User_Manual.pdf for Analog Input modules
- Quick Start Manual: ET7000_QuickStart_Manual.pdf
- Location: CD: \NAPDOS\ET7000\Document

Firmware:

Location: CD: \NAPDOS\ET7000\Firmware

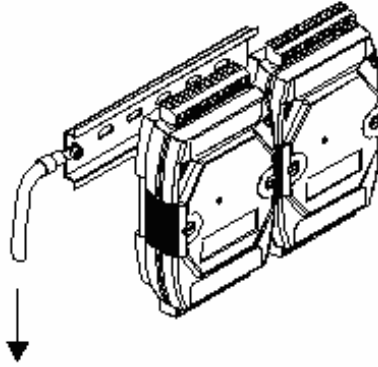
1. Preparation

View of the Module

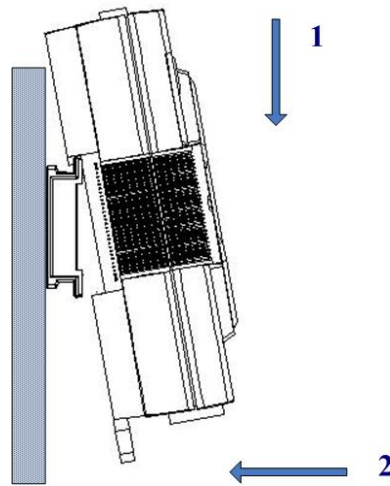


**Mounting the
ET-7000**

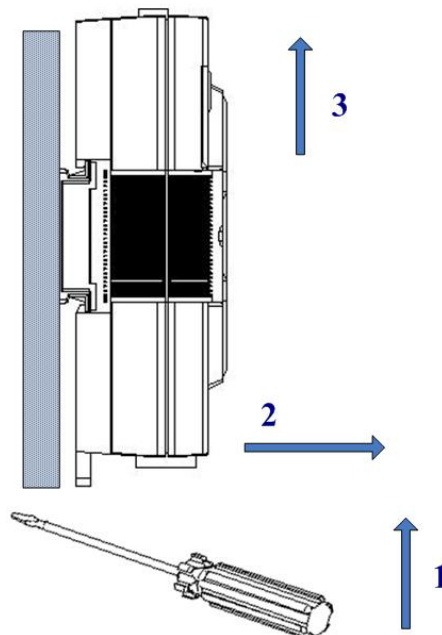
Din-Rail Mounting



Snap the ET-7000 on to the DIN-rail

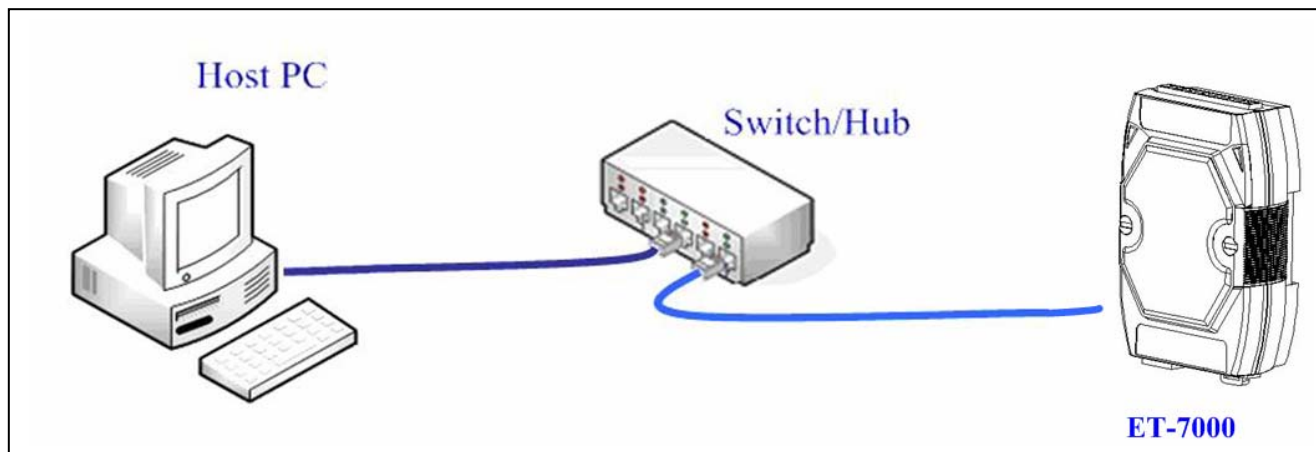
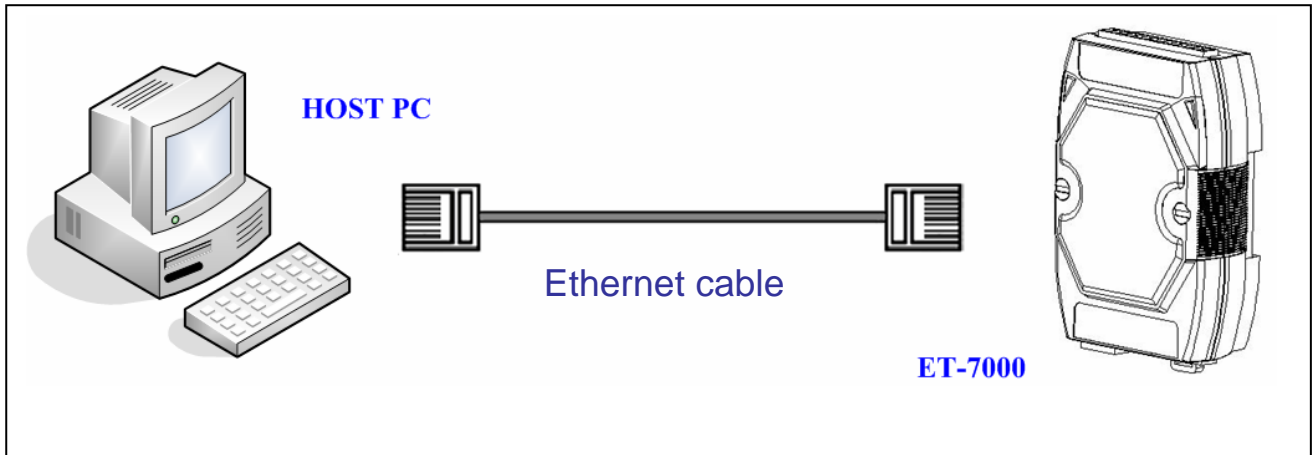


Snap the ET-7000 off from the DIN-rail



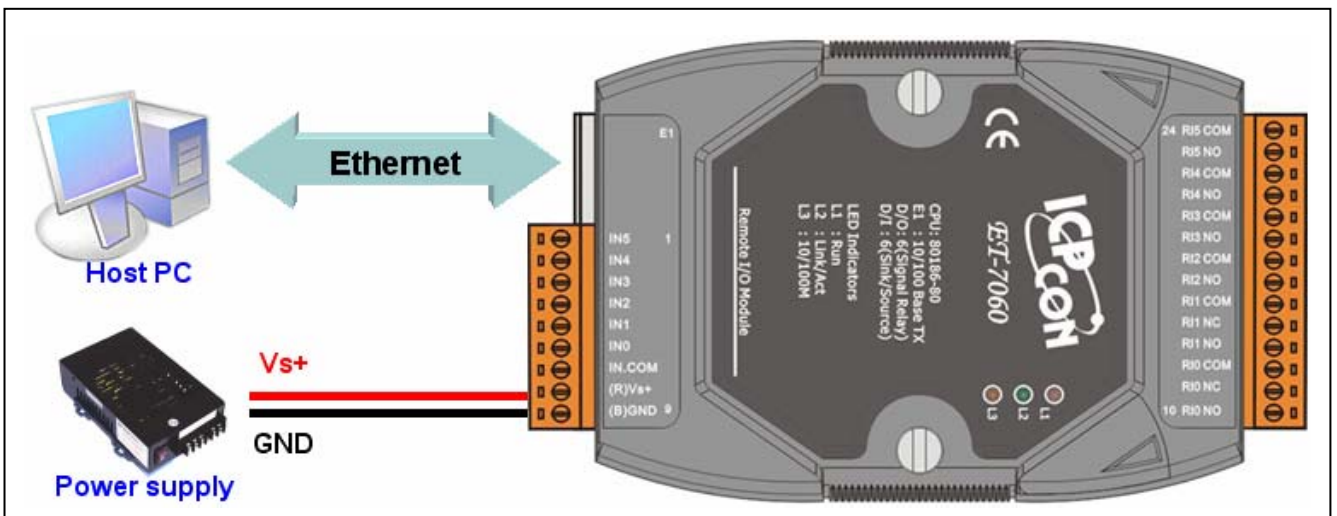
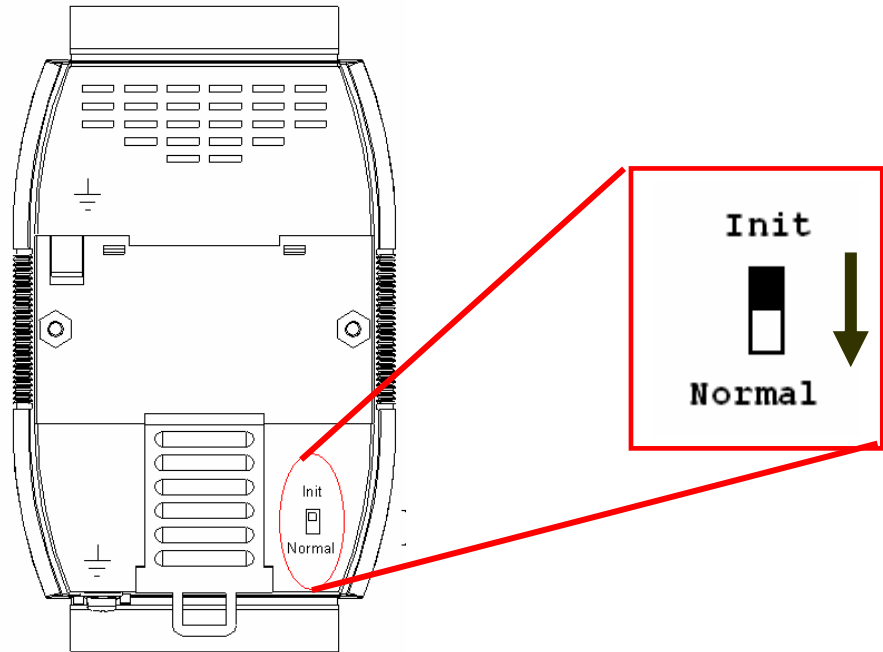
Connecting the ET-7000 into the Ethernet

Link the ET-7000 and host PC direct or link the ET-7000 into the same Ethernet as host PC.



Apply power to the ET-7000

1. Check Init/Normal switch is on Normal position.



2. Apply power (+Vs, GND) to the ET-7000, +Vs can be range from +10V to +30V DC.

3. Check that the L1 LED (“RUN”) periodically ON for 0.5 seconds and then OFF for 0.5 seconds.

2. Ethernet Configuration

Configuring the network settings correctly is the most important procedure prior to using ET-7000 controller. The following settings must be configured:

Networking settings: IP, Mask, and Gateway of ET-7000.

Item	Default
IP Address	192.168.255.1
Subnet Mask	255.255.0.0
Gateway	192.168.0.1

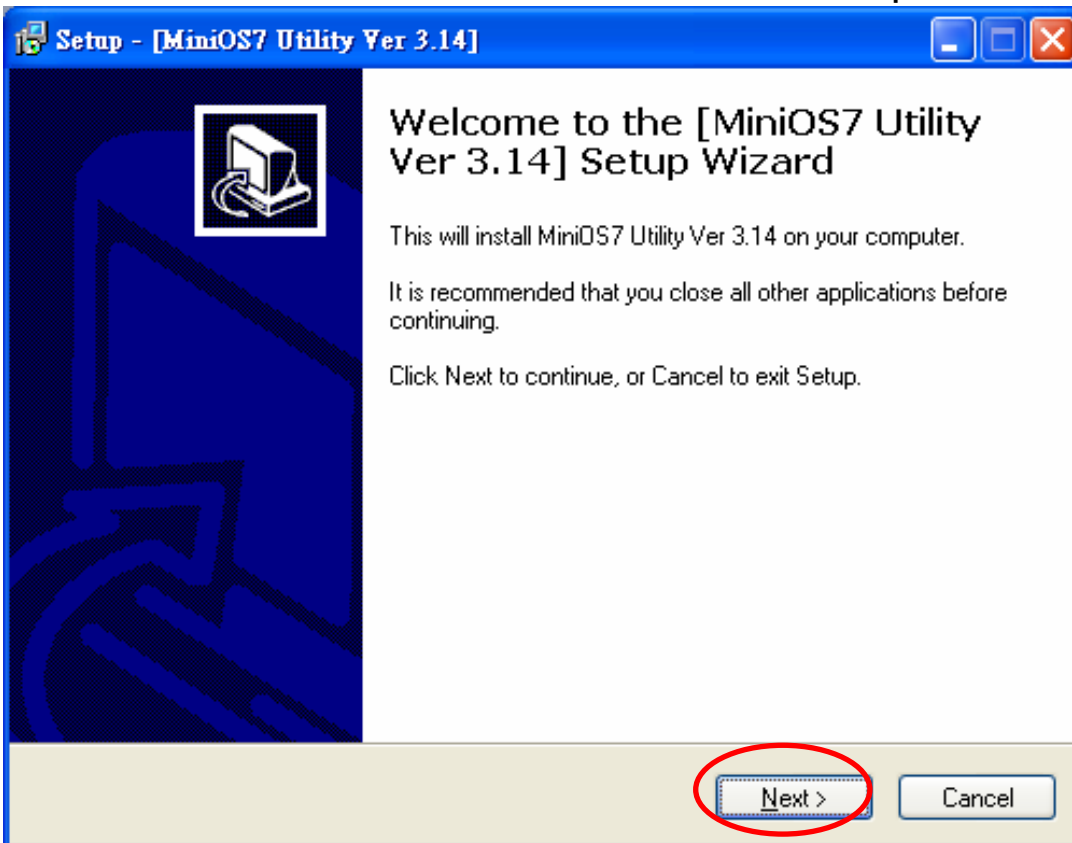
Installing MiniOS7 utility

The PC Diagnostic tool is located on the shipment CD and FTP. The paths are

- CD:\NAPDOS\ET7000\Tools\Tools for MiniOS7\MiniOS7_utility
- ftp://ftp.icpdas.com/pub/cd/6000cd/napdos/et7000/tools/tools for minios7/minios7_utility/

Please follow the steps below:

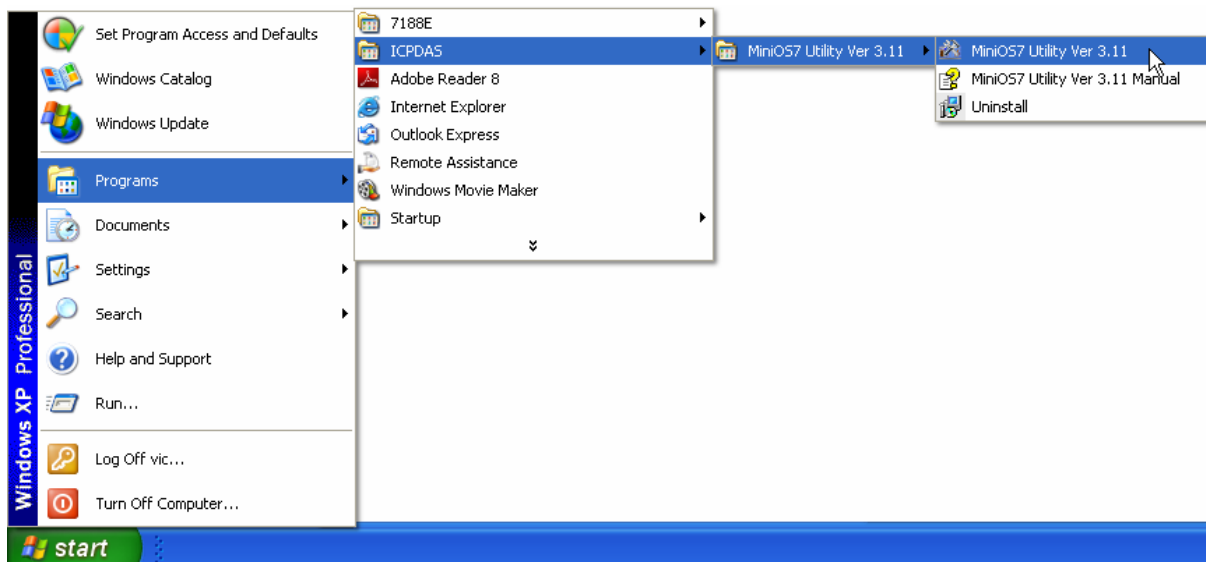
1. **Double Click** the “Setup.exe” to start installing.
2. **Click** on “Next” when the Welcome window opens.



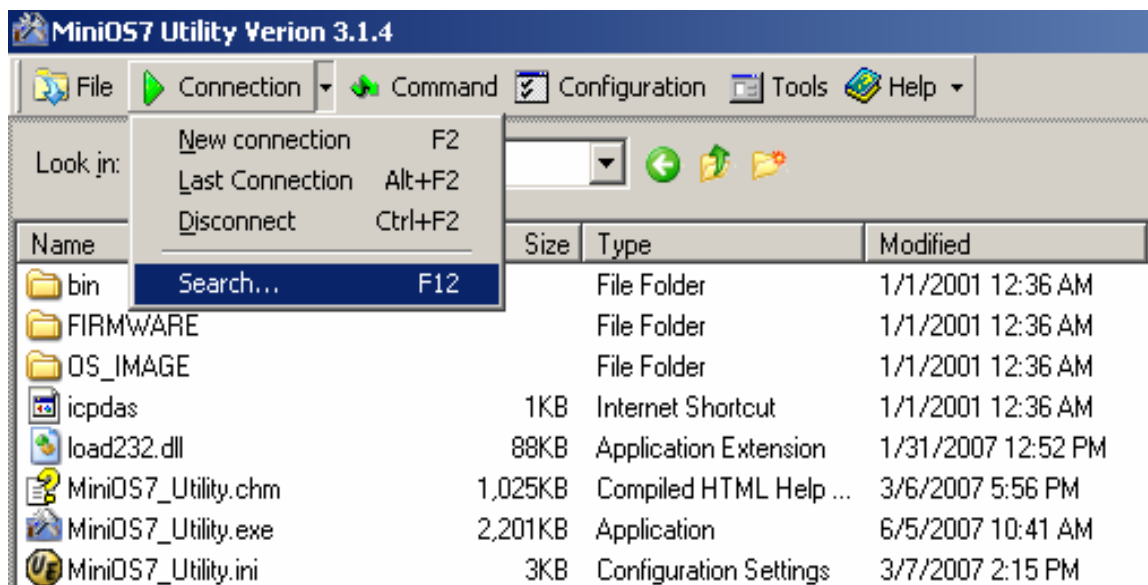
3. **Click** on “Next” to install program files in the default directory, or select an alternative location by pressing “Browser...”.
4. **Select** the folder using in list of “Start Menu” >> “Program”>>, and then click on “Next” to continue
5. **Click** on “Next” to proceed with the installation.
6. **Click** on “Finish” to complete the installation.

Search -- Search the devices

1. Run the MiniOS7 utility as follow

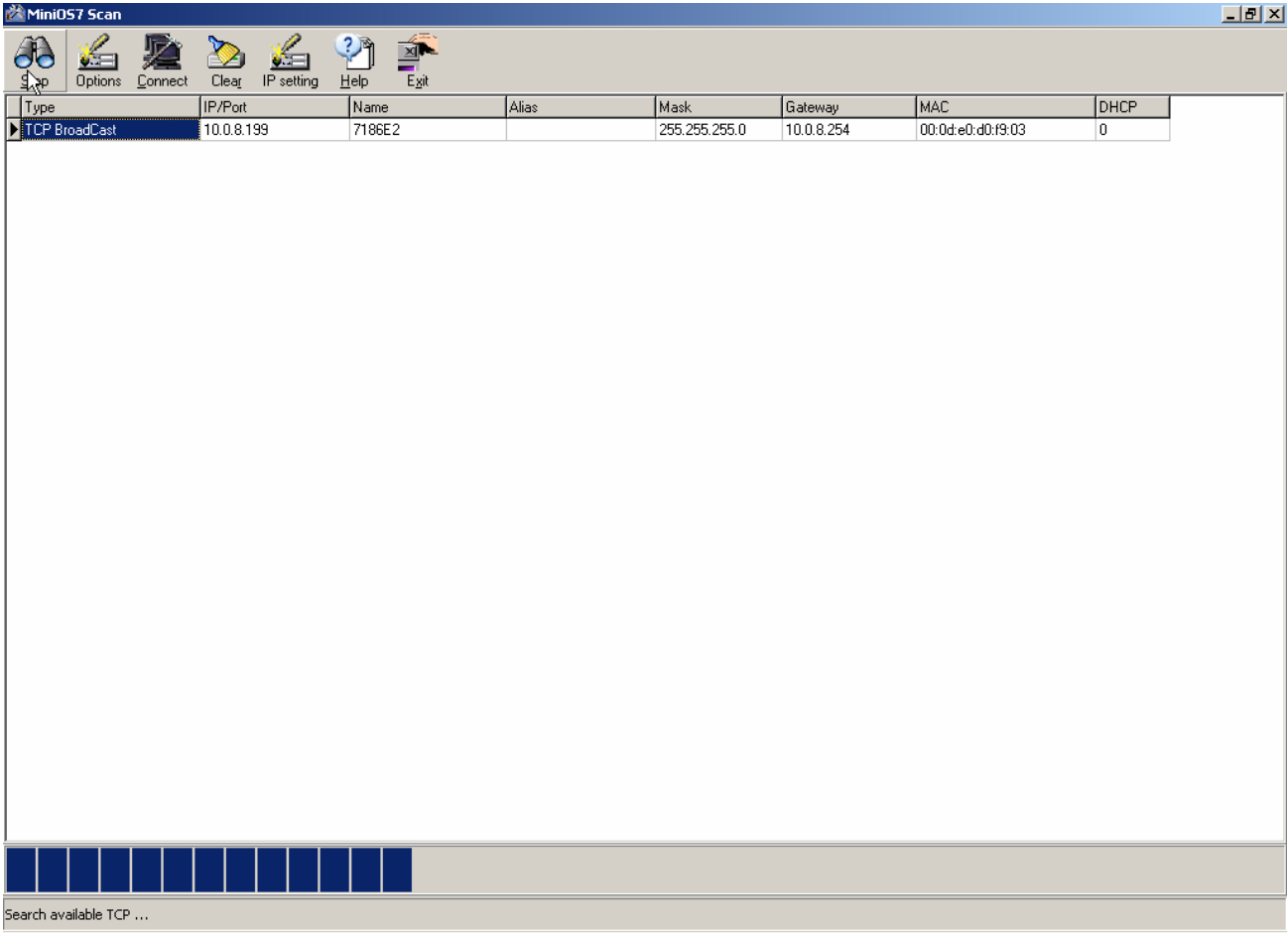



2. Click the Search on the main menu to scan the modules on the Ethernet network.

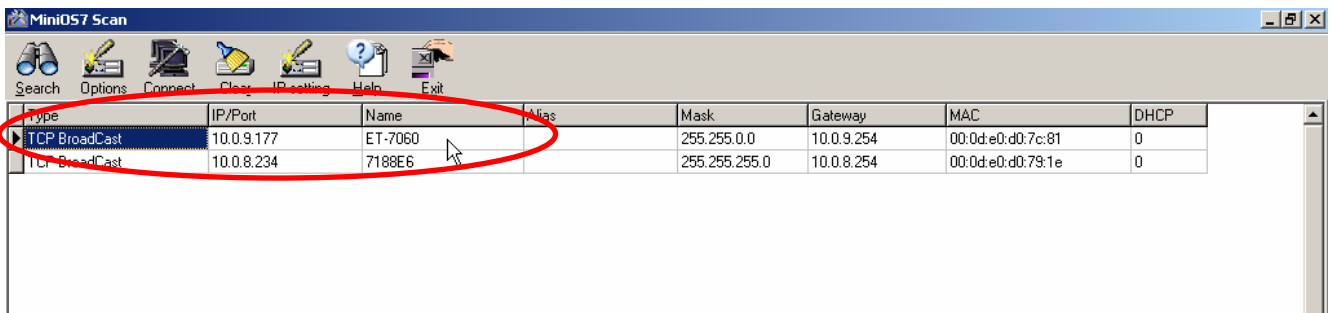


3. The Search Progress will show on the bottom of the “MiniOS7 Scan”

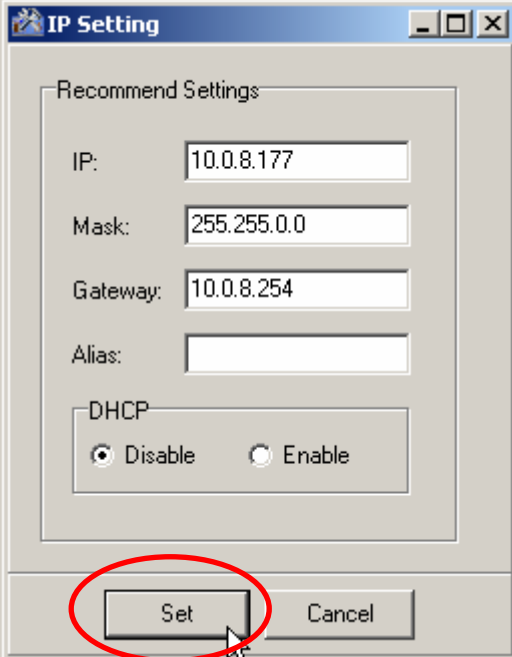
windows. Users can press  button to cancel the search.



3. Choose the found module in the table and Press  button to configure IP settings.

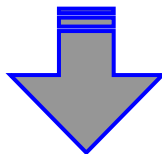


4. The current settings of the module will show on the dialog below, and the user can change the value on each item and then press the “Set” button to take effect of the settings.



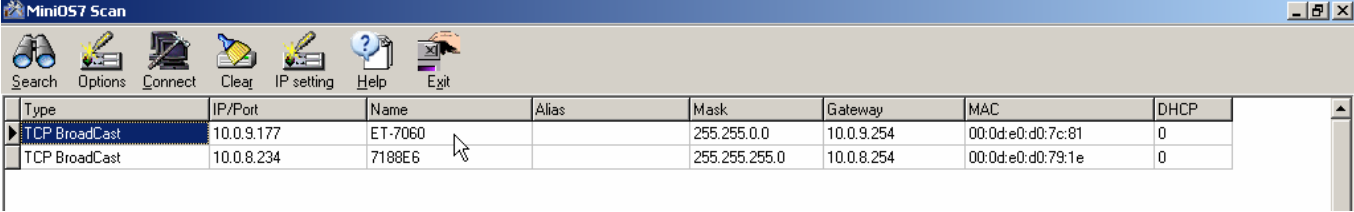
The IP Setting dialog box contains the following fields and options:

- IP: 10.0.8.177
- Mask: 255.255.0.0
- Gateway: 10.0.8.254
- Alias: (empty)
- DHCP: Disable Enable
- Buttons: Set (circled in red), Cancel



Click the “Set” button will cause the ET-7000 to reboot to make the settings effectively.

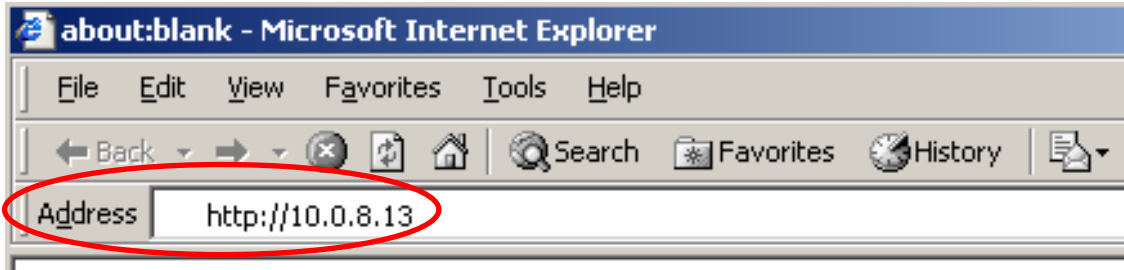
5. **Search** again to check whether the settings have been changed or not.



Type	IP/Port	Name	Alias	Mask	Gateway	MAC	DHCP
TCP BroadCast	10.0.9.177	ET-7060		255.255.0.0	10.0.9.254	00:0d:e0:d0:7c:81	0
TCP BroadCast	10.0.8.234	7188E6		255.255.255.0	10.0.8.254	00:0d:e0:d0:79:1e	0

3. Connect the ET-7000 -- by web browser

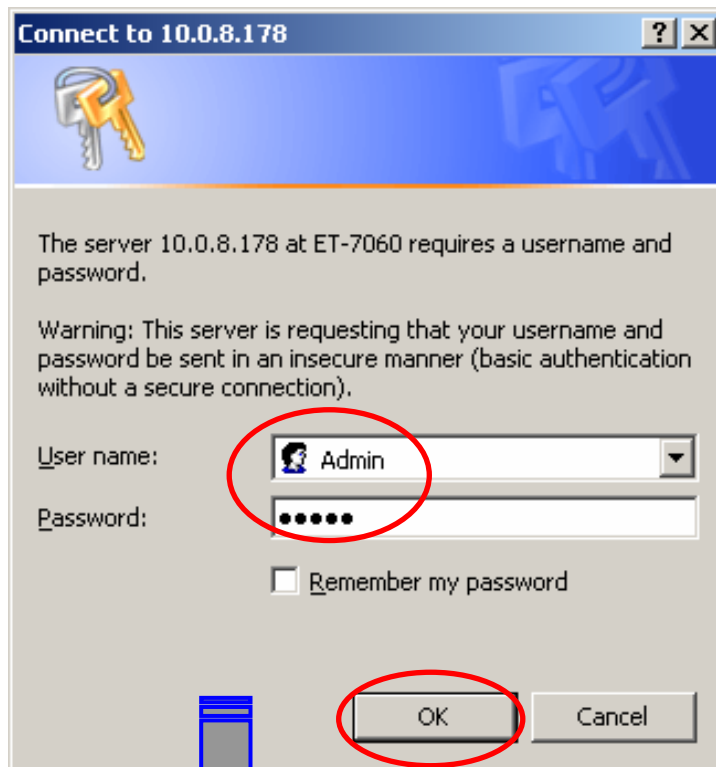
1. **Start up** the web browser (Internet Explorer, Mozilla or Firefox), input the URL address of the ET-7000 (such as `http://10.0.8.13`) and then press “Enter” key to link the ET-7000.



2. **Input** the User name and Password.

Web page Configuration

Item	Default
User name	Admin (Case sensitive)
Password	Admin (Case sensitive)



ICPDAS
<http://www.icpdas.com>

Welcome to the ET7000 Web configuration page

Model Name	ET-7060
MAC Address	0:d:e0:d0:6d:47
Module Information	
Firmware Version	V100 (May 25 2007)
OS Version	V226 (May 23 2007)

DI channels	6
DO channels	6
AI channels	0
AO channels	0

The diagram illustrates the ET7000 Web configuration architecture. It shows SCADA and Web Browser connected to an IPC/PC and PAC, which are connected to a TCP/IP Ethernet network. The network is connected to three ET7000 modules, which are connected to various I/O devices like sensors, actuators, and relays.

The brief description of the Web page configuration function is listed on six main functions of the tree structure.

Technical Support

If you have problems about using the ET-7000 series modules, please contact ICP DAS Product Support.

Email: Service@icpdas.com

When requesting technical support, be prepared to provide the following information about your system:

1. Module name and serial number: The serial number can be found printed on the barcode label attached to the cover of the module.
2. Firmware and OS version: See **Overview** on the web browser linked to ET-7000 as showed as page 3.2 for getting the firmware/OS version information.
3. Host configuration:
 - 3-1. Host type: PC, PLC or other host device
 - 3-2. Operating system (If needed)
 - 3-3. Web browser tool (ex. IE, Firefox, Mozilla ...) and version
4. If the problem is reproducible, please give full details describing the procedure used to reproduce the problem.
5. Specific error messages displayed. If a dialog box with an error message is displayed, please include the full text of the dialog box, including the text in the title bar.
6. If the problem involves other programs or hardware devices, please describe the details of the problem in full.
7. Any comments and suggestions related to the problem are welcome.

ICP DAS will reply to your request by email within three business days.

Feb 2009