



Making Data Acquisition Easy

CAGE/NCAGE CODE: 3FNFO

NS-205-IP67

5-Port Industrial 10/100 Mbps Ethernet Switch

with IP67 Casing

Quick Start Guide

Product Website:

https://www.icpdas-usa.com/ns_205_ip67.html

1. Introduction

NS-205-IP67 Ethernet Switches are designed for use in industrial waterproof/harsh environments. The rugged packaging and IP67 connectors guarantee total protection that can withstand a variety of extreme conditions such as: high temperatures, extreme shocks & vibrations, dust particles and even liquid immersion. They can be directly mounted to any machine or convenient flat surface. With all its rugged features the switch still provides a high level of functionality, including the ability to support full-duplex communication and 10 Mbps/100 Mbps transmission speeds. With 1.4 Gbps of total bandwidth, the switch can simultaneously handle full wire speed communication on each port. A dedicated uplink port enables a connection to other switches without the use of a crossover cable. No programming is necessary, as the switch auto-learns network addresses. 10 to 30VDC isolated power input keeps spikes and surges on the power line from damaging the power supply. They are completely plug and play and ready to go right out of the box.



NS-205-IP67 IP67 5-Port Ethernet Switch - QuickStart (Mar/2017)

ICP DAS USA, Inc. | www.icpdas-usa.com | 1-310-517-9888 | 24309 Narbonne Ave. Suite 200. Lomita, CA 90717



Making Data Acquisition Easy

CAGE/NCAGE CODE: 3FNFO

2. LED functions:

Standard RJ45 female connectors are provided. A standard RJ45 plug cable is all that is necessary to connect your device to the unit since switch that supports auto crossover.

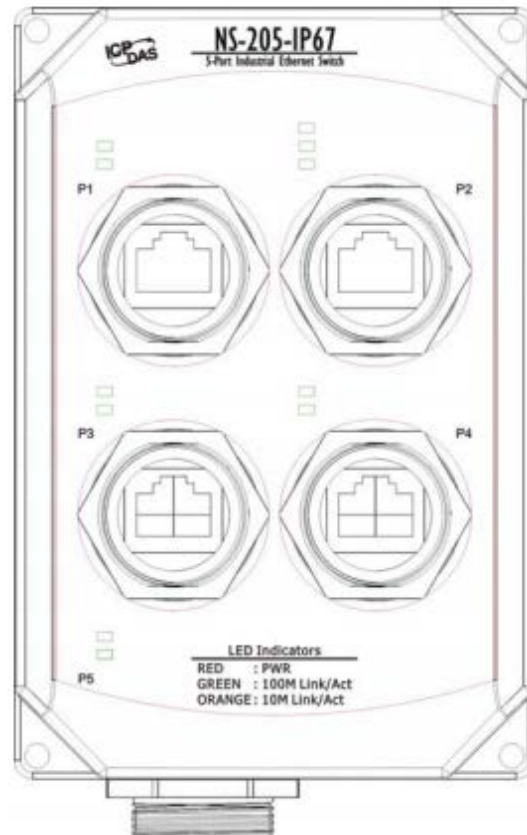
Table 1 shows the LED indicator functions. The module includes an internal.

Table 1

| LED | Color | Description |
|------------------|--------|------------------|
| PWR | Red | Power is On |
| | Off | Power is Off |
| 10/100M (Port 1) | Orange | Link to 10 Mbps |
| | Green | Link to 100 Mbps |
| | Off | Not Networking |
| 10/100M (Port 2) | Orange | Link to 10 Mbps |
| | Green | Link to 100 Mbps |
| | Off | Not Networking |
| 10/100M (Port 3) | Orange | Link to 10 Mbps |
| | Green | Link to 100 Mbps |
| | Off | Not Networking |
| 10/100M (Port 4) | Orange | Link to 10 Mbps |
| | Green | Link to 100 Mbps |
| | Off | Not Networking |
| 10/100M (Port 5) | Orange | Link to 10 Mbps |
| | Green | Link to 100 Mbps |
| | Off | Not Networking |

Pin-Out:

| Pin# | Signal Name | Function |
|------|-------------|---------------|
| 1 | TD+ | Transmit Data |
| 2 | TD- | Transmit Data |
| 3 | RD+ | Receive Data |
| 4 | NC | No Connection |
| 5 | NC | No Connection |
| 6 | RD- | Receive Data |
| 7 | NC | No Connection |
| 8 | NC | No Connection |



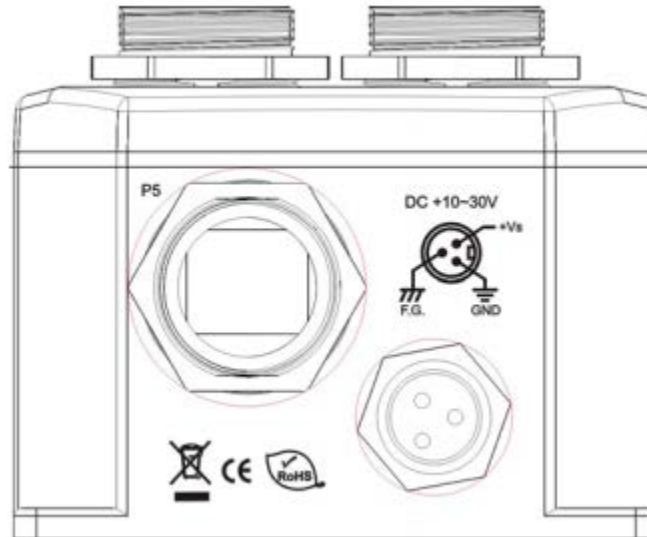
3. Pin Function For Terminal Block:

External power supply is connected using the removable terminal block:

+Vs : Power input (+46 ~ +55V) and should be connected to the power supply (+)

GND : Ground and should be connected to the power supply (-)

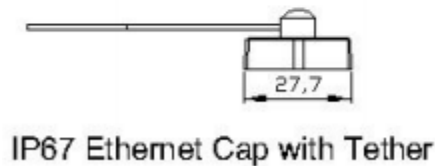
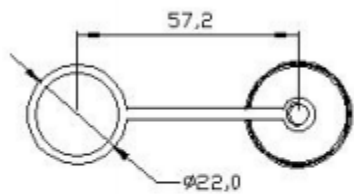
F.G. : F.G. stands for Frame Ground (protective ground). It is optional. If you use this pin, it can reduce EMI radiation; improve EMI performance and ESD protection.



4. Installation:

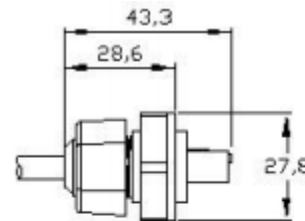
Mechanical Dimensions

Unit : mm



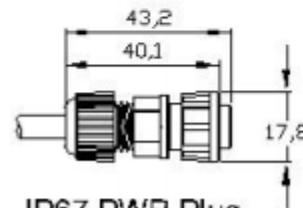
IP67 Ethernet Cap with Tether

Cable Dia:
Max. 7.0mm
min. 5.5mm



IP67 Ethernet Plug

Cable Dia:
Max. 6.5mm
min. 5.0mm



IP67 PWR Plug

Power Plug installed to waterproofing attachment.



Power Plug Wiring



Installed step:



Power Plug Assembly

Important: Make sure to tighten firmly.



Making Data Acquisition Easy

CAGE/NCAGE CODE: 3FNFO

**RJ45 Plug installed to waterproofing attachment.
Installed step:**



RJ45 Plug Assembly

Important: Make sure to tighten firmly.

NS-205-IP67 IP67 5-Port Ethernet Switch - QuickStart (Mar/2017)

ICP DAS USA, Inc. | www.icpdas-usa.com | 1-310-517-9888 | 24309 Narbonne Ave. Suite 200. Lomita, CA 90717



Making Data Acquisition Easy

CAGE/NCAGE CODE: 3FNFO

5. Dimension

