



Making Data Acquisition Easy

CAGE/NCAGE CODE: 3FNFO

# M-7069

## 4-channel Form A Relay Output and 4-channel Form C Relay Output Data Acquisition Module

### Quick Start Guide

Product Website:

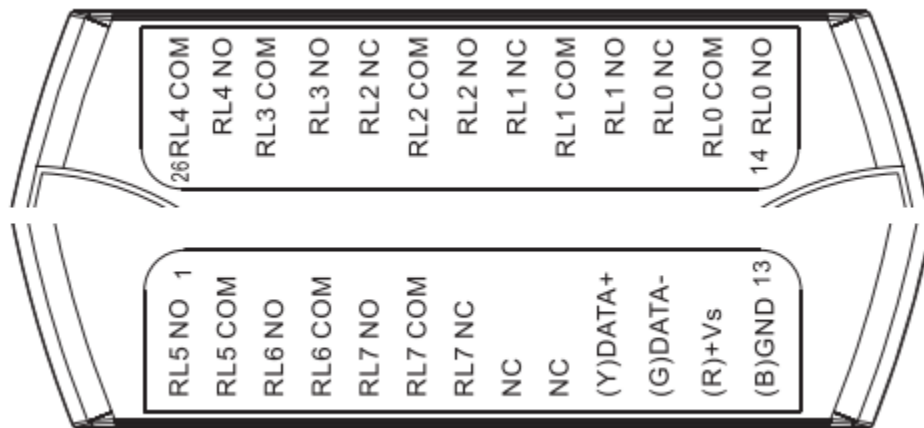
[https://www.icpdas-usa.com/m\\_7069.html](https://www.icpdas-usa.com/m_7069.html)

[http://www.icpdas-usa.com/dcon\\_utility\\_pro.html](http://www.icpdas-usa.com/dcon_utility_pro.html)

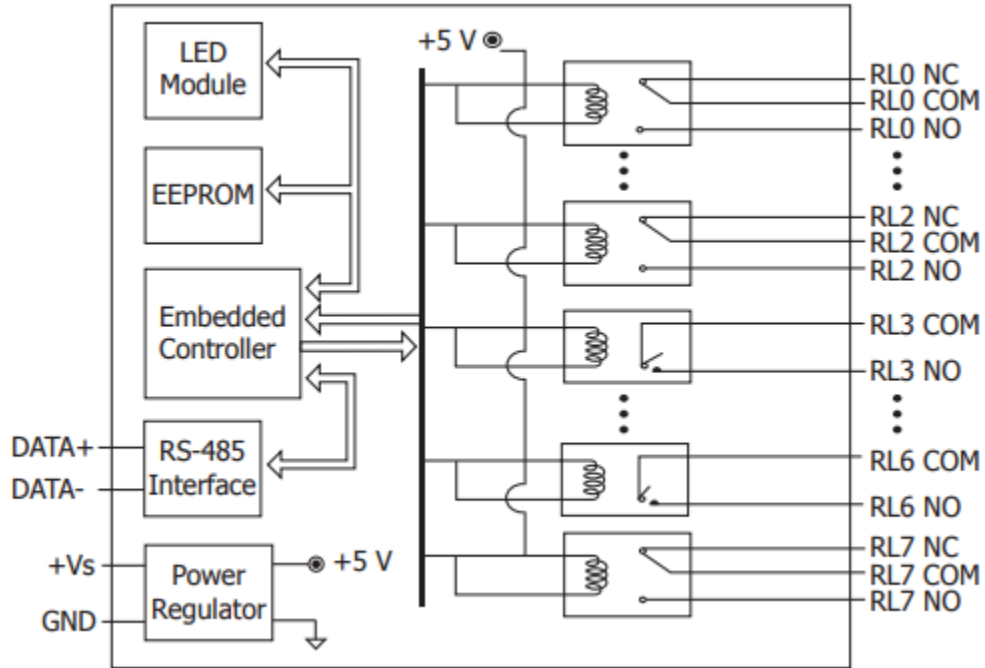
## 1. Introduction

The M-7069 provides 4 Form A signal relay output channels and 4 Form C signal relay output channels, while the M-7069 provides 4 Form A power relay output channels and 4 Form C power relay output channels. 4 kV ESD, 4 kV EFT and 3 kV surge protection are also provided to enhance noise protection capabilities in industrial environments. The M-7068 is the ideal solution for small signal switching, while the M-7069 is the ideal solution for high power applications.

## 2. Terminal Assignment



### 3. Block/ Wiring Diagram



Relay Output	ON State Readback as 1	OFF State Readback as 0
Form A Relay in RL3 ~ RL6		
Form C Relay in RL0 ~ RL2 and RL7		

### 4. Default Settings

- Protocol: Modbus RTU
- Module Address: 01
- DIO Type: Type 40
- Baud Rate: 9600 bps



Making Data Acquisition Easy

CAGE/NCAGE CODE: 3FNFO

## 5. Configuration

To install the module, follow the steps below:

1. Connect the digital input and output.
2. Connect the module to the RS-485 network using the DATA+ and DATA- terminals. If the host is only equipped with an RS-232 interface, then an RS-232 to RS-485 converter will be required.
3. Connect the module to the power supply using the +Vs and GND terminals. Note that the voltage supplied should be in the range of +10 to +30V DC.



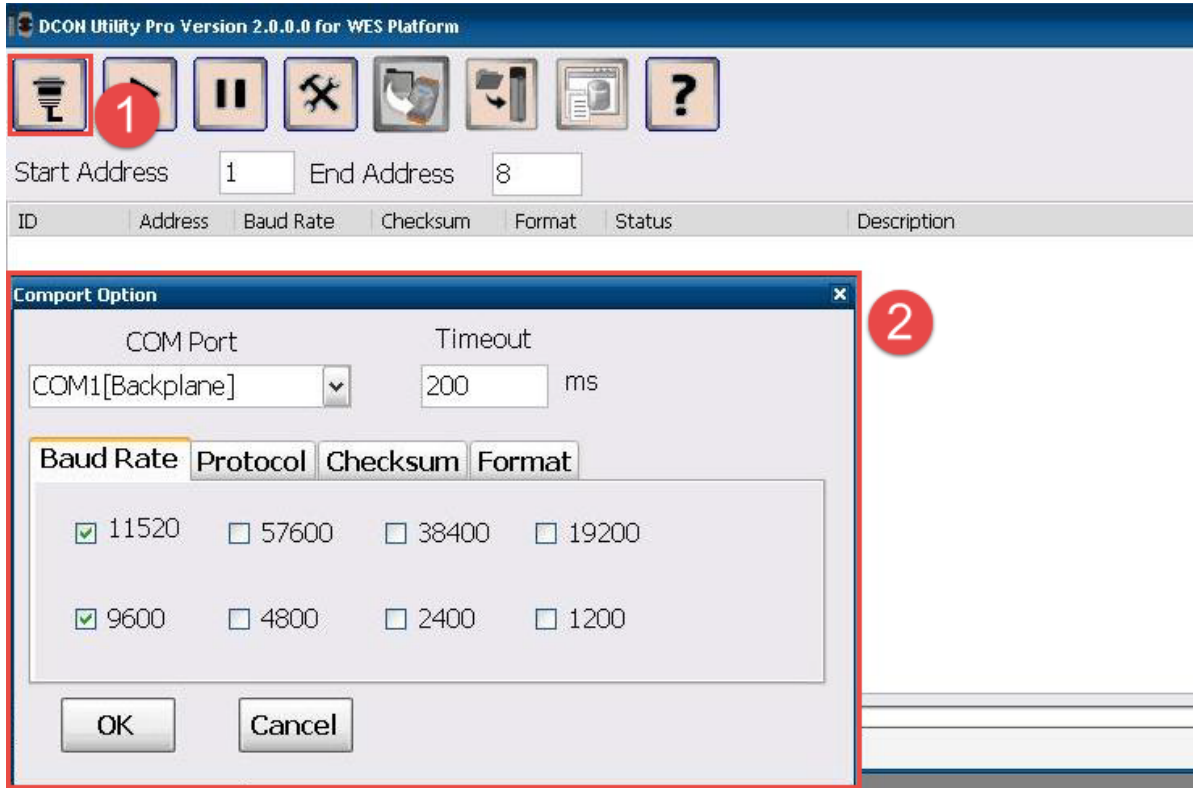
4. Open DCON utility pro

- 1 click on COM port(first icon).
- 2 It can select multi-options such as Baud Rate, Protocol, Checksum, and Format to search module. The default settings for the module can be found in Section 3. Click OK after selecting the COM port setting.

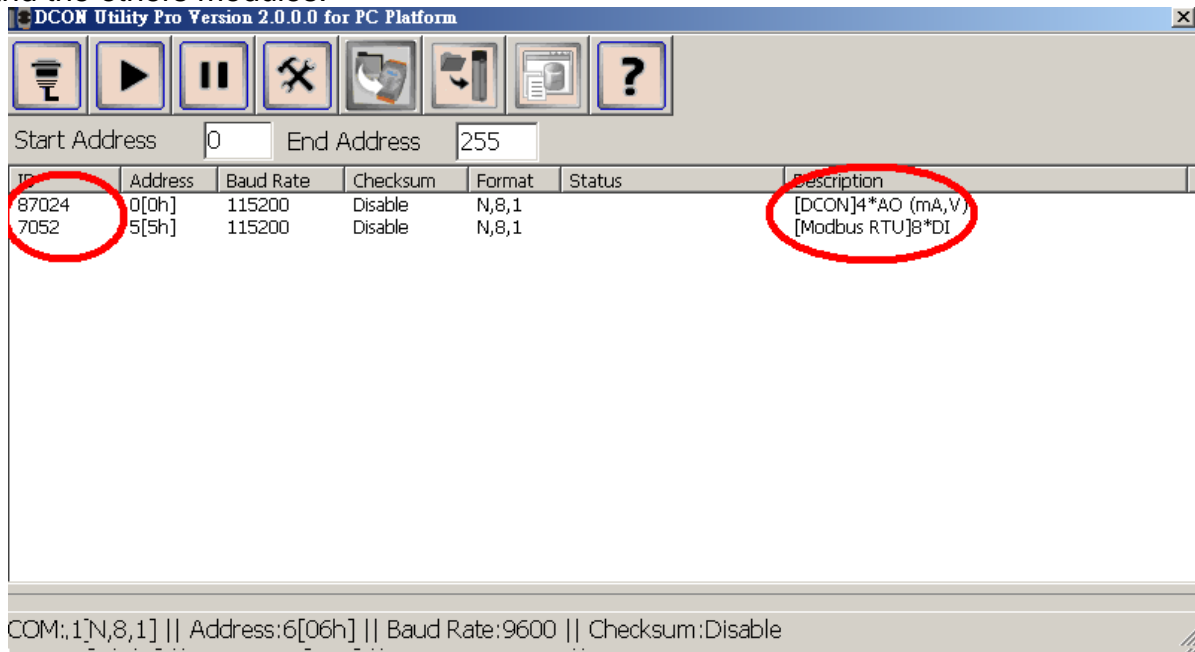


Making Data Acquisition Easy

CAGE/NCAGE CODE: 3FNFO

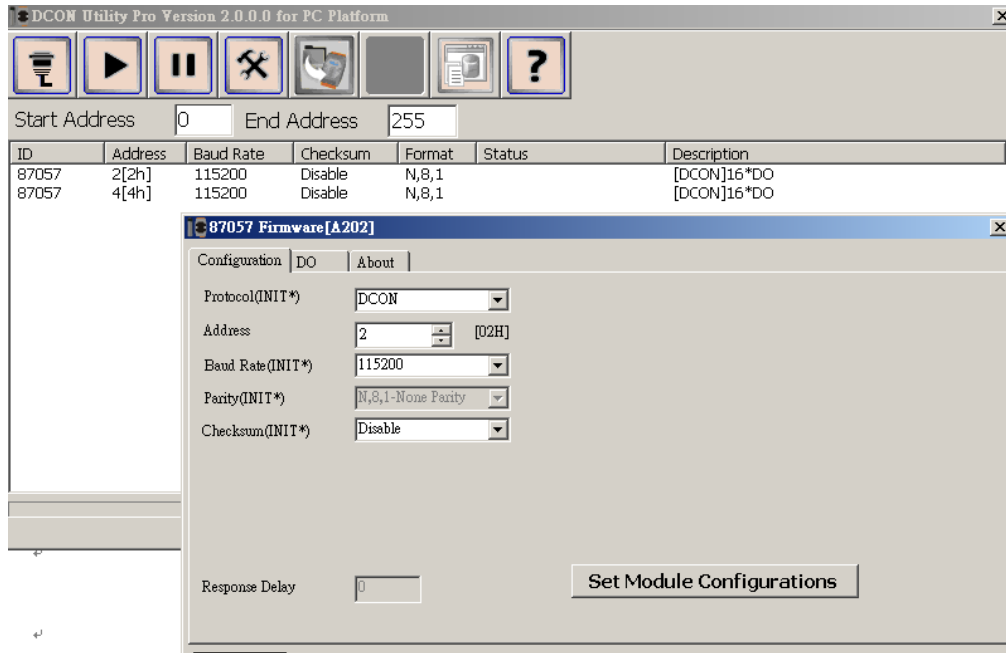


5. DCON utility pro will search for the selected COM port according the setting previously set. DCON Utility Pro supports DCON and Modbus protocol for all ICPDAS and the others modules.





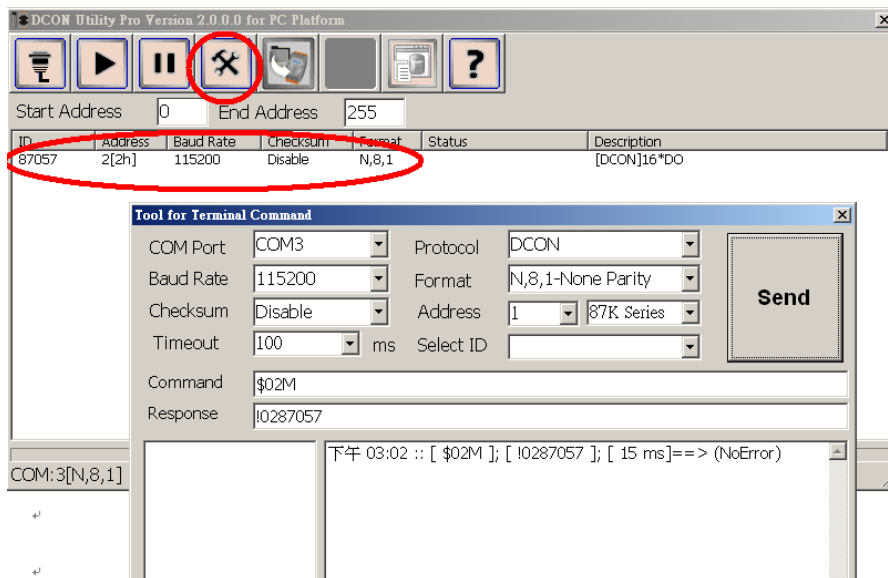
### 6. Configuration I/O module setting on PC



7. For I-7000 modules, DCON utility pro terminal can send command to the module. See user manual Sections 2 for details command.

Configure the module: sending the %AANNTTCCFF command. See user manual Section 2 for details.

Read data from the input channels: send either the #AA or #AAN command to the module.





8. If user doesn't know command, user can select Address and ID, it will show some refer commands as below. User can select necessary command to test or debug modules.

