



Making Data Acquisition Easy

CAGE/NCAGE CODE: 3FNFO

I-87018

8-channel Thermocouple Input Module

Quick Start Guide

Product Website:

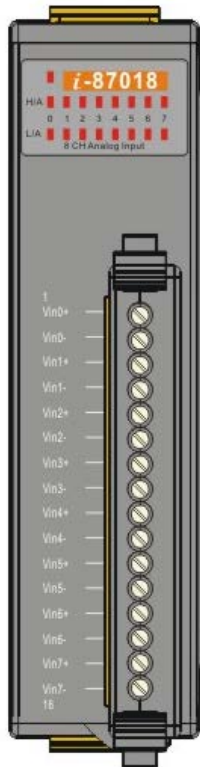
https://www.icpdas-usa.com/i_87018.html

http://www.icpdas-usa.com/dcon_utility_pro.html

1. Introduction

I-87018 has a serial bus (RS-485) communication interface with DCON protocol. It can be plugged into our WinCon, LinCon, I-8000 controllers and I-87K, RF-87K I/O expansion units. I-87018/R is a Thermocouple Input Module with 8 channels. I-87018/R is a serial cartridge based I/O module that offers the ultimate in cost effective flexibility.

2. Terminal Assignment



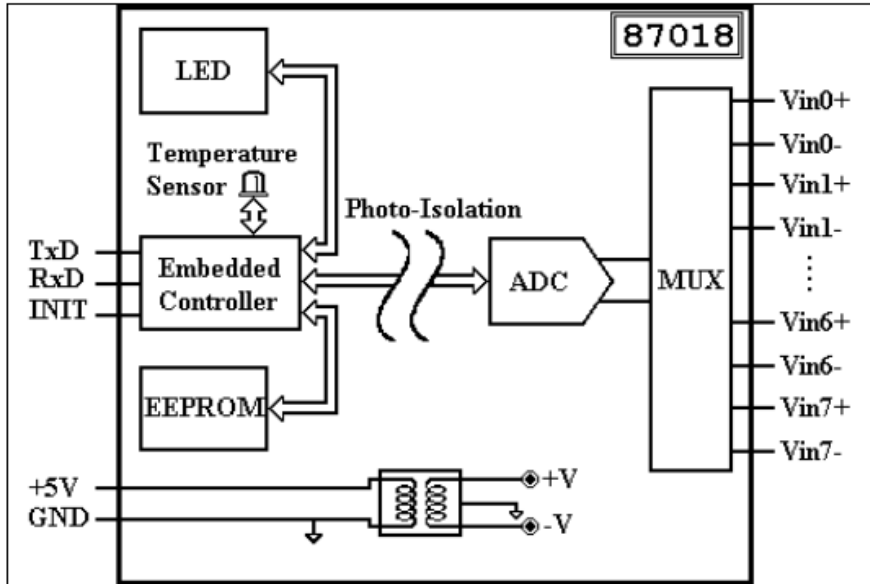
Terminal No.	Pin Assignment
01	Vin0+
02	Vin0-
03	Vin1+
04	Vin1-
05	Vin2+
06	Vin2-
07	Vin3+
08	Vin3-
09	Vin4+
10	Vin4-
11	Vin5+
12	Vin5-
13	Vin6+
14	Vin6-
15	Vin7+
16	Vin7-



Making Data Acquisition Easy

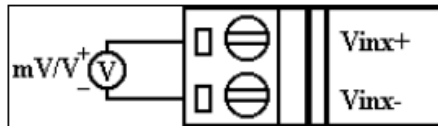
CAGE/NCAGE CODE: 3FNFO

3. Block/ Wiring Diagram

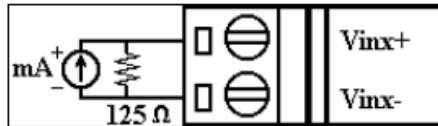


I-87018 Wire Connection

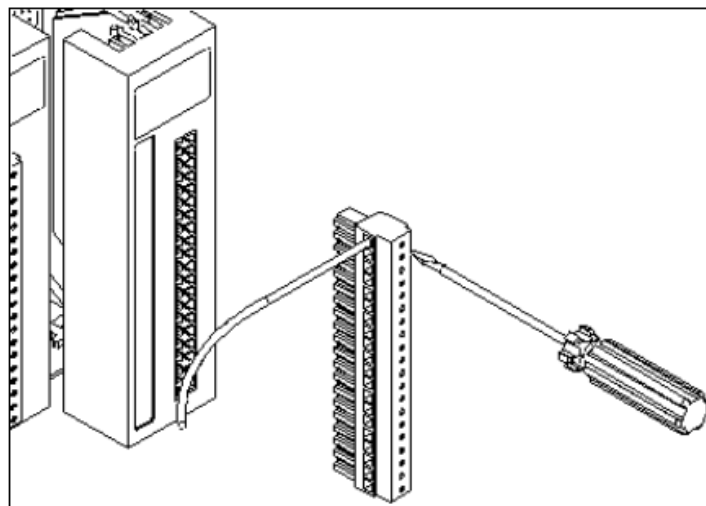
Voltage Input Wiring



Current Input Wiring



Screw wire into I-87018





Making Data Acquisition Easy

CAGE/NCAGE CODE: 3FNFO

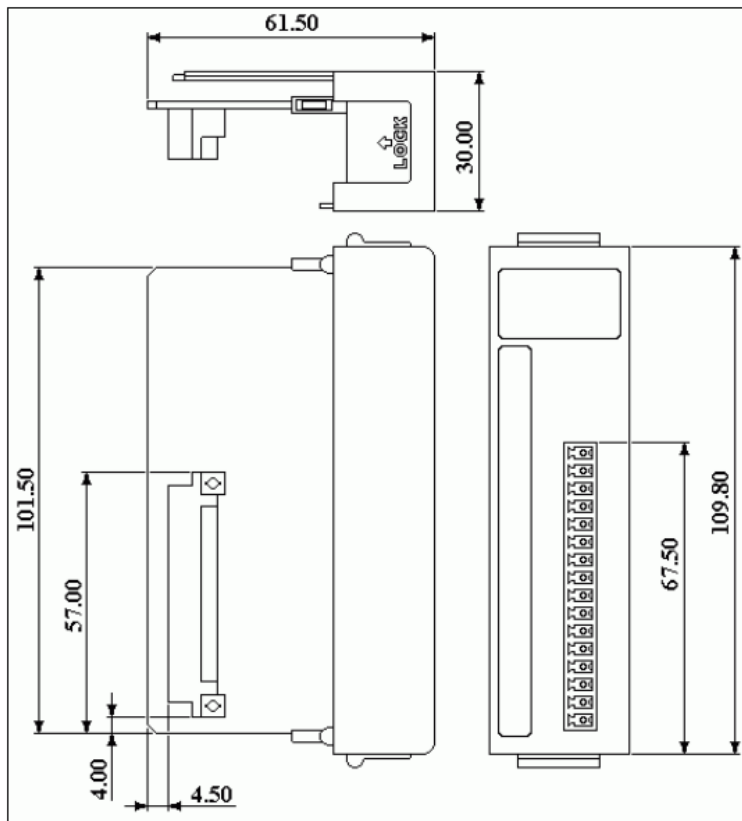
4. Default Settings

I-87018 Default Setting

Configuration	Default Setting	Description
Type	05	-2.5V to +2.5V
Baudrate	0A	115200 bps
Format	00	60Hz rejection Checksum disable Engineer Unit Format

5. Dimension

I-87018 Dimention



I-87018 8-channel Thermocouple Input Module - QuickStart (Mar/2017)

ICP DAS USA, Inc. | www.icpdas-usa.com | 1-310-517-9888 | 24309 Narbonne Ave. Suite 200. Lomita, CA 90717