



Making Data Acquisition Easy

CAGE/NCAGE CODE: 3FNFO

I-7551

Isolated RS-232 to RS-232 Converter

Quick Start Guide

Product Website:

http://www.icpdas-usa.com/i_7551.html

1. Introduction

The I-7551 Photo coupler provides a complete full-duplex (including control signal) electrical isolation channel between two RS-232 devices. This isolation is an important consideration if a system uses different power sources, has noisy signals or must operate at different ground potentials.

The I-7551 has the option of reconfiguring which control signal is used. CTS can be selected instead of DSR and RTS instead of DTR. The I-7551 incorporates two DC-to-DC converters; the isolation site of I-7551 is located in the input and output interface circuit. In other words, I-7551 is three-way isolation RS-232-to RS-232 converter.

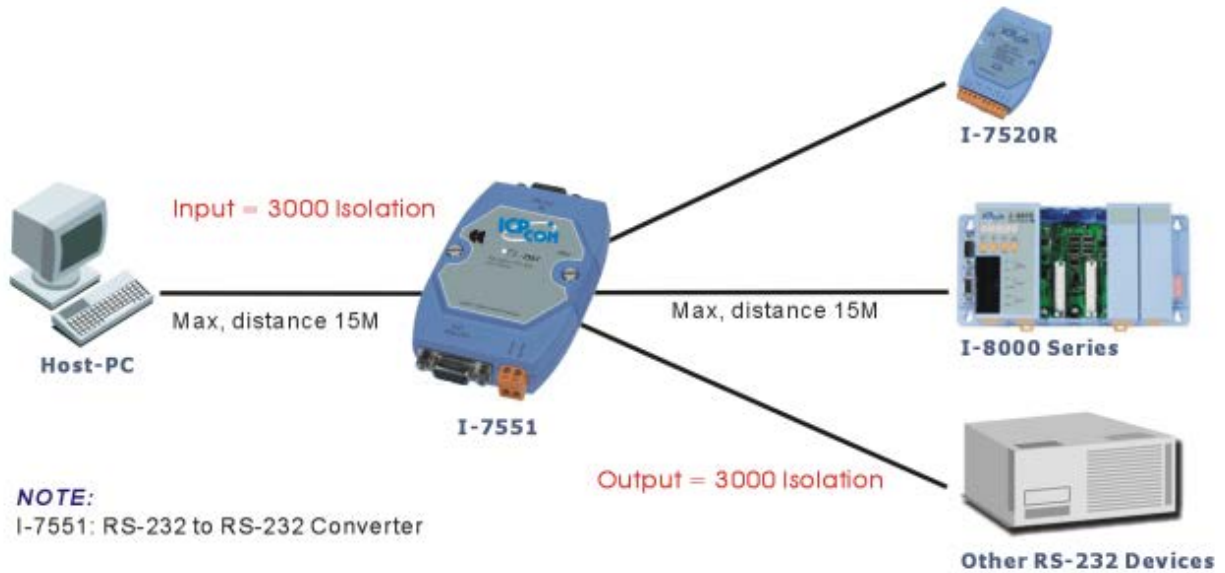
2. System Network Configuration

- Multiple Baud Rate
- Multiple Data Format

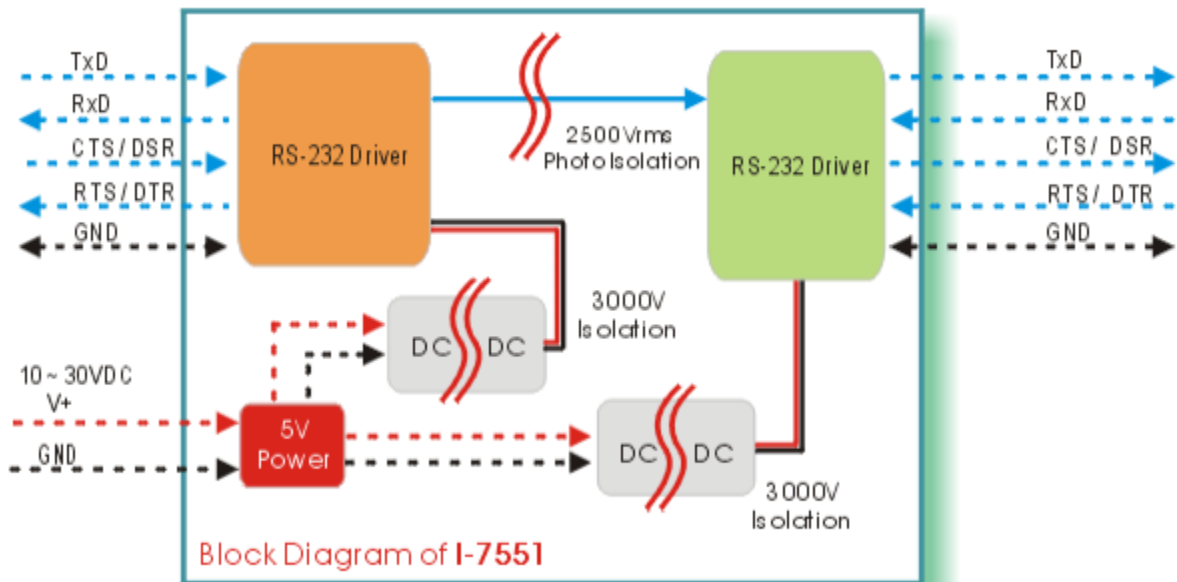


Making Data Acquisition Easy

CAGE/NCAGE CODE: 3FNFO



3. Block Diagram





4. Output Types

Selecting the I-7551 output type.

NOTE: The **type1** and **type2** couldn't be used simultaneously, which means that you can only select 1 type to output.

Type 1:

Input :TxD, RxD, CTS, RTS, GND. **Output :**TxD, RxD, CTS, RTS, GND.

Type 2:

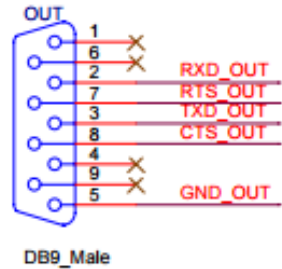
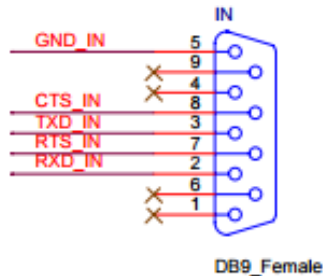
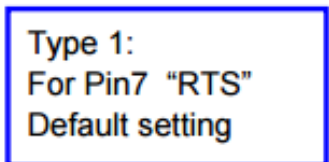
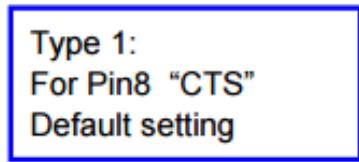
Input :TxD, RxD, DSR, DTR, GND. **Output :** TxD, RxD, DSR, DTR, GND.

Type1 and Type2 Jumpers settings:

NOTE: **RXD** and **TXD** are permanent setting.

For **type 1**: Set the JP1 jumper to positions 2 and 3.

Set the JP2 jumper to positions 2 and 3.



For **type 2**: Set the JP1 jumper to positions 1 and 2.

Set the JP2 jumper to positions 1 and 2.

