



Making Data Acquisition Easy

CAGE/NCAGE CODE: 3FNFO

I-7520R

RS-232 to RS-485 Converter (For PLC use only)

Quick Start Guide

Product Website:

http://www.icpdas-usa.com/i_7520r.html

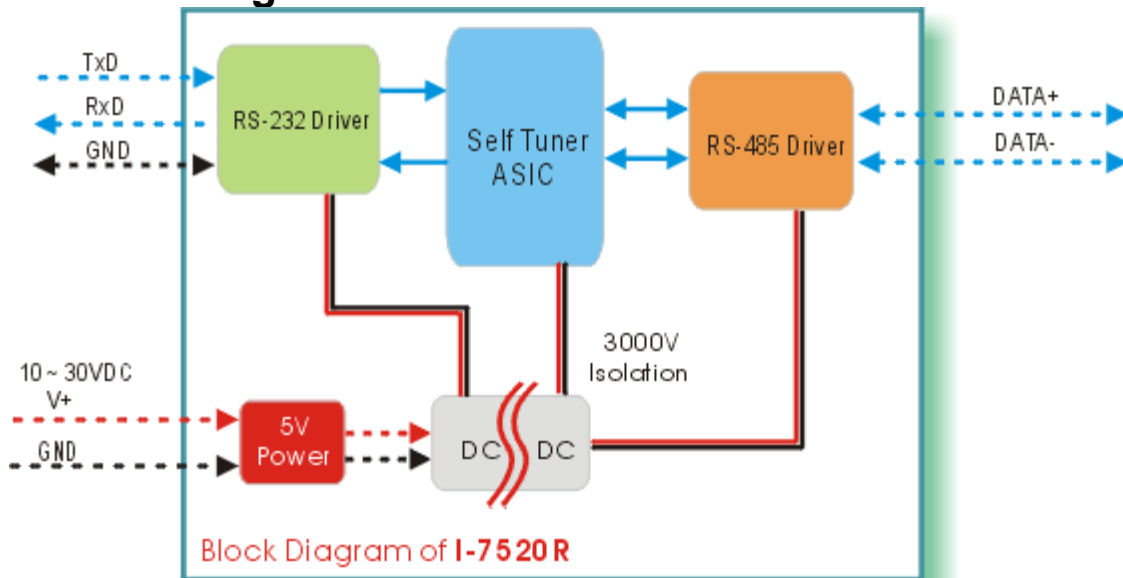
1. Pin Assignment and Specifications



7520R: RS-232 to RS-485 Converter

- Protocol: two-wire RS-485, (D+, D-), protocol
- Connector: plug-in screw terminal block
- Speed: "Self Tuner" inside, auto switching baud rate, from 300 to 115200 BPS
- 256 modules max in one RS-485 network without repeater
- 2048 modules max in one RS-485 network with repeater
- Isolation voltage: 3000V
- Isolation site: RS-485
- Repeater request: 4,000 feet or over 256 modules
- Power requirements: +10V dc ~ +30V dc
- Power consumption: 0.05A@24V; Max

2. Block Diagram





Making Data Acquisition Easy

3. Output Type

Selecting the I-7520A output type.

NOTE: The RS-422 and RS-485 output types couldn't be used simultaneously, which means that you can only select 1 type to output.

Type 1: 1-channel RS-485 output.

Type 2: 1-channel RS-422 output.

Type 3: 2-channel RS-485 output. (Support star network)

RS422/485 Output Jumpers settings:

For type 1: Set the JP1 jumper to positions 2 and 3.

For type 2: Set the JP1 jumper to positions 2 and 3.

For type 3: Set the JP1 jumper to positions 1 and 2.

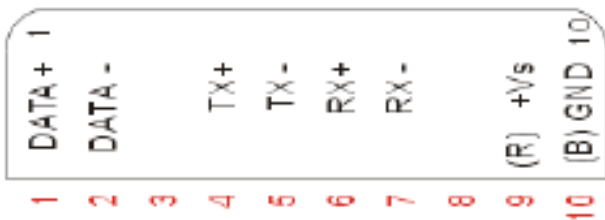


Types 1 and 2:
Default setting
RS-422 or RS-485



Type 3:
2-channel RS-485

Pin Assignment For type1 and type2:



RS-485 Pin define:
DATA+ and DATA-

RS-422 Pin define:
TX+, TX-, RX+ and RX-

Pin Assignment For type3:



Channel one Pin define:
DATA1+ and DATA1-

Channel two Pin define:
DATA2+ and DATA2-