



Making Data Acquisition Easy

CAGE/NCAGE CODE: 3FNFO

I-7061D

12-channel Relay Output Data Acquisition Module

Quick Start Guide

Product Website:

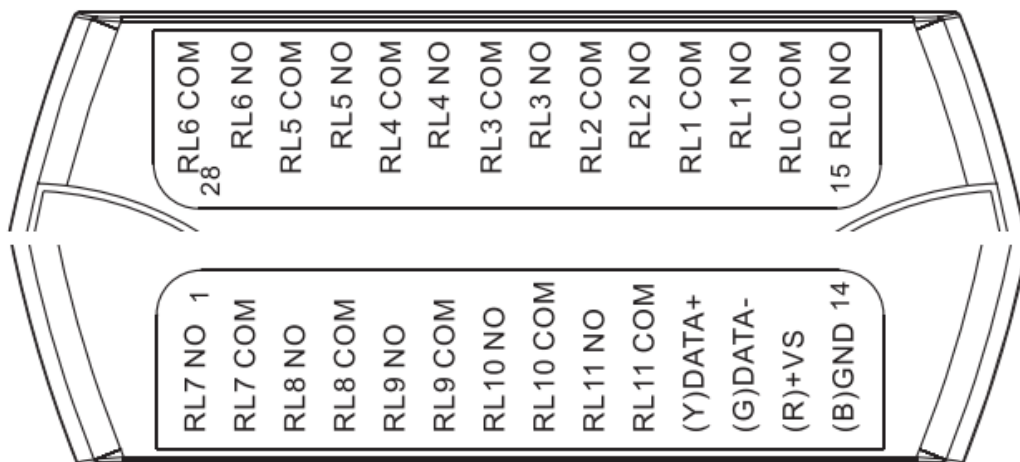
https://www.icpdas-usa.com/i_7061d.html

http://www.icpdas-usa.com/dcon_utility_pro.html

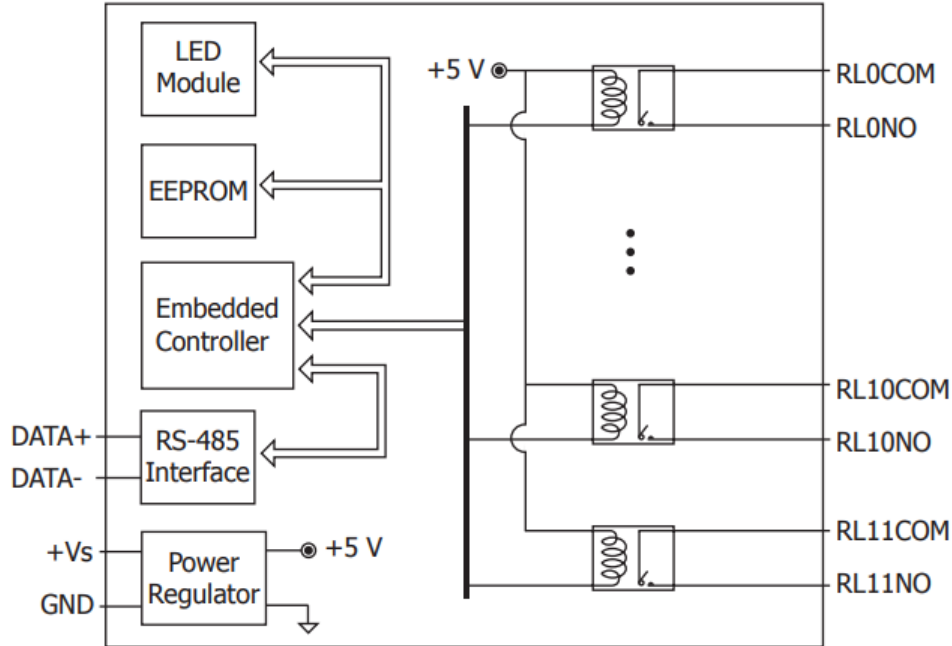
1. Introduction

The 7061 series provides 12 power relay output channels and the 7067 series provides 7 signal relay output channels. There are options for configuring power-on and safe values. 4 kV ESD protection and 3750 VDC intra-module isolation are also provided to enhance the noise protection capabilities in industrial environment. The “D” versions of the 7061 series provide 12 LED indicators that can be used to monitor the status of the relay output channels. The “M” versions of each series support both the Modbus RTU and DCON protocols, which can be configured via software. The 7061 series are the ideal solution for high power applications.

2. Terminal Assignment



3. Block/ Wiring Diagram



Output Type	ON State Readback as 1	OFF State Readback as 0
Relay Output		

4. Default Settings

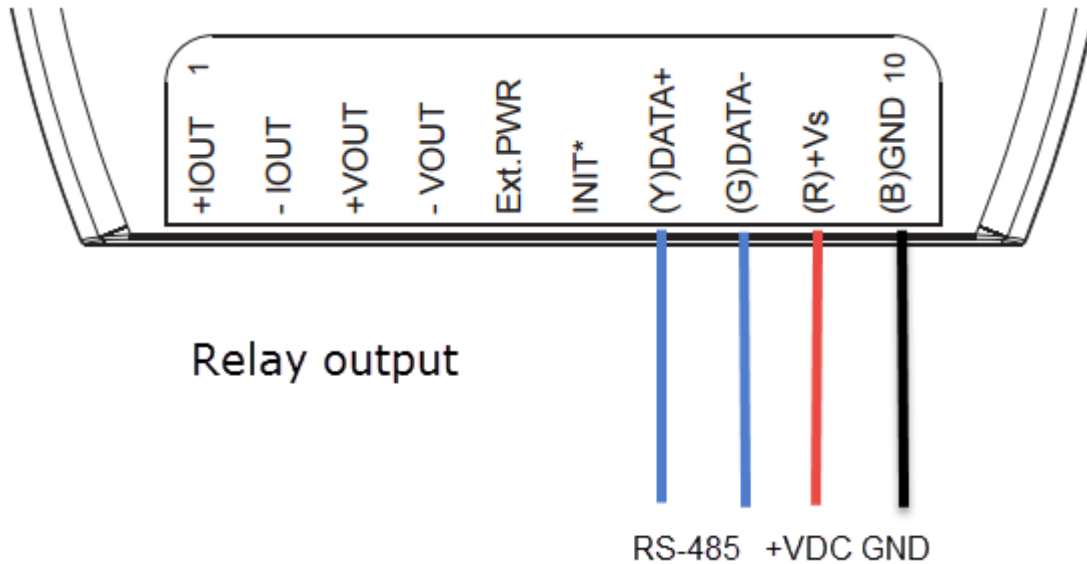
Default settings for the I-7061D DIO modules are as follows:

- **Module Address: 01**
- **DIO Type: Type 40**
- **Baud Rate: 9600 bps**
- **Checksum disabled**

5. Configuration

To install the module, follow the steps below:

1. Connect the analog output.
2. Connect the module to the RS-485 network using the DATA+ and DATA- terminals. If the host is only equipped with an RS-232 interface, then an RS-232 to RS-485 converter will be required.
3. Connect the module to the power supply using the +Vs and GND terminals. Note that the voltage supplied should be in the range of +10 to +30V DC.





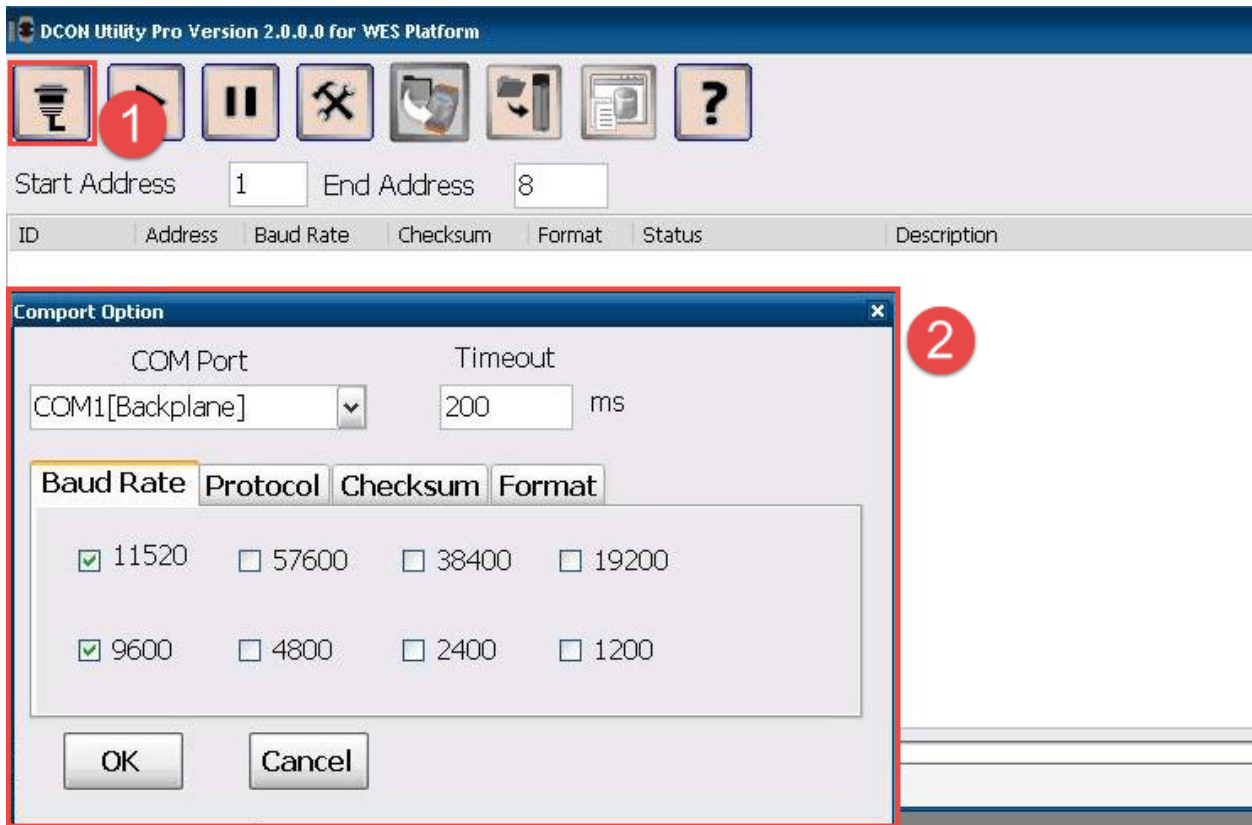
Making Data Acquisition Easy

CAGE/NCAGE CODE: 3FNFO



4. Open DCON utility pro

- 1 click on COM port(first icon).
- 2 It can select multi-options such as Baud Rate, Protocol, Checksum, and Format to search module. The default settings for the module can be found in Section 3. Click OK after selecting the COM port setting.





Making Data Acquisition Easy

CAGE/NCAGE CODE: 3FNFO

5. DCON utility pro will search for the selected COM port according the setting previously set. DCON Utility Pro supports DCON and Modbus protocol for all ICPDAS and the others modules.

DCON Utility Pro Version 2.0.0.0 for PC Platform

Start Address: 0 End Address: 255

ID	Address	Baud Rate	Checksum	Format	Status	Description
87024	0[0h]	115200	Disable	N,8,1		[DCON]4*AO (mA,V)
7052	5[5h]	115200	Disable	N,8,1		[Modbus RTU]8*DI

COM:1[N,8,1] || Address:6[06h] || Baud Rate:9600 || Checksum:Disable

6. Configuration I/O module setting on PC

DCON Utility Pro Version 2.0.0.0 for PC Platform

Start Address: 0 End Address: 255

ID	Address	Baud Rate	Checksum	Format	Status	Description
87057	2[2h]	115200	Disable	N,8,1		[DCON]16*DO
87057	4[4h]	115200	Disable	N,8,1		[DCON]16*DO

87057 Firmware[A202]

Configuration | DO | About

Protocol(INIT*): DCON

Address: 2 [02H]

Baud Rate(INIT*): 115200

Parity(INIT*): N,8,1-None Parity

Checksum(INIT*): Disable

Response Delay: 0

Set Module Configurations



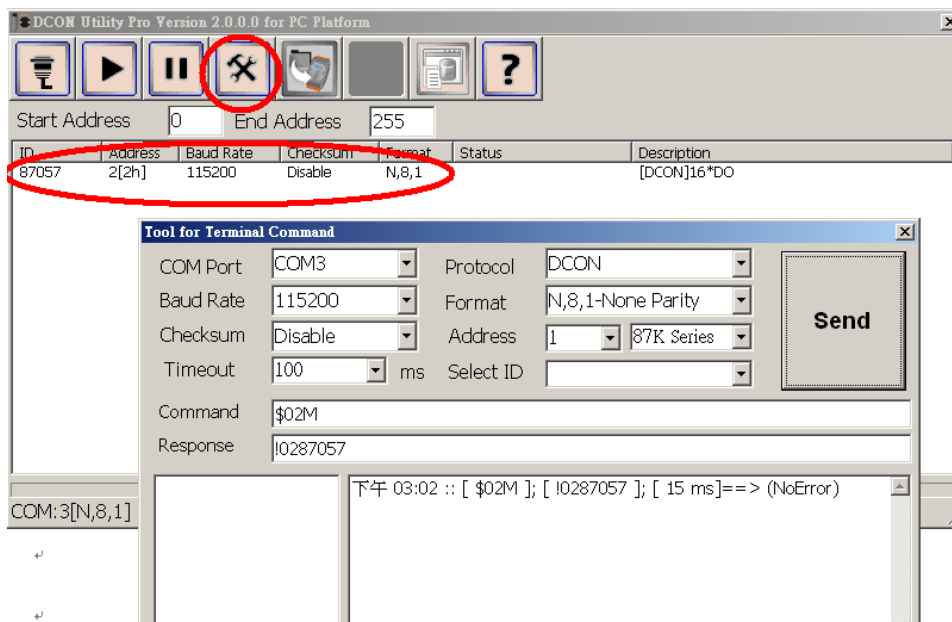
Making Data Acquisition Easy

CAGE/NCAGE CODE: 3FNFO

7. For I-7000 modules, DCON utility pro terminal can send command to the module. See user manual Sections 2 for details command.

Configure the module: sending the %AANNTTCCFF command. See user manual Section 2 for details.

Read data from the input channels: send either the #AA or #AAN command to the module.





Making Data Acquisition Easy

8. If user doesn't know command, user can select Address and ID, it will show some refer commands as below. User can select necessary command to test or debug modules.

