

I-7053_FG

16-channel Non-isolated Digital Input Module with 16-bit Counters

Quick Start Guide

Product Website:


https://www.icpdas-usa.com/i_7053_fg

http://www.icpdas-usa.com/dcon_utility_pro.html

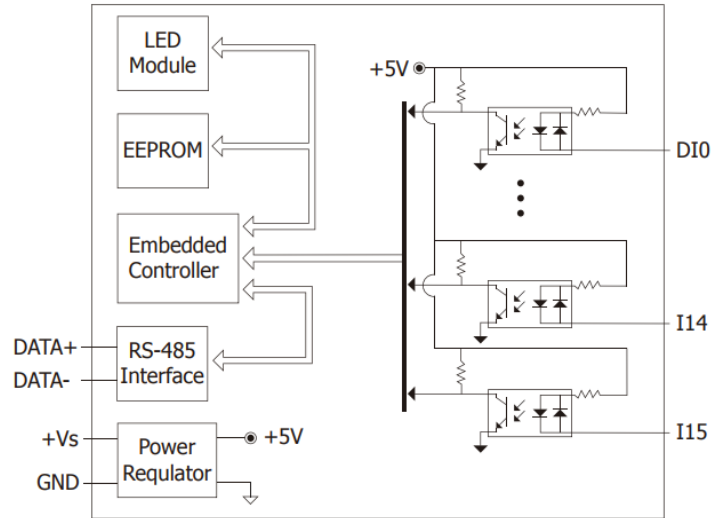
1. Introduction

I-7053_FG features long distance measurement for digital input. Its effective distance for dry contact is up to 500 meters. I-7053_FG supports source type input. All of its 16 channels are also able to be used as 16-bit counters, each of which features non-isolated. I-7053D_FG has 16 LED indicators for channel status.

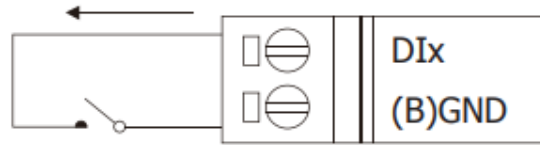
2. Terminal Assignment

Terminal No.	Pin Assignment		Terminal No.	Pin Assignment
01	DI10		20	DI9
02	DI11		19	DI8
03	DI12		18	DI7
04	DI13		17	DI6
05	DI14		16	DI5
06	DI15		15	DI4
07	(Y)DATA+		14	DI3
08	(G)DATA-		13	DI2
09	(R)+Vs		12	DI1
10	(B)GND		11	DI0

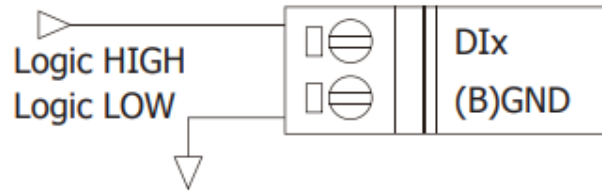
3. Block/ Wiring Diagram



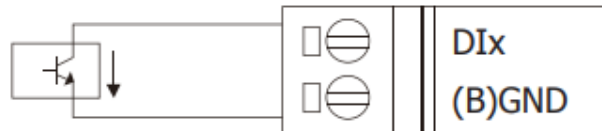
Dry Contact



TTL/CMOS



Open Collector



4. Default Settings

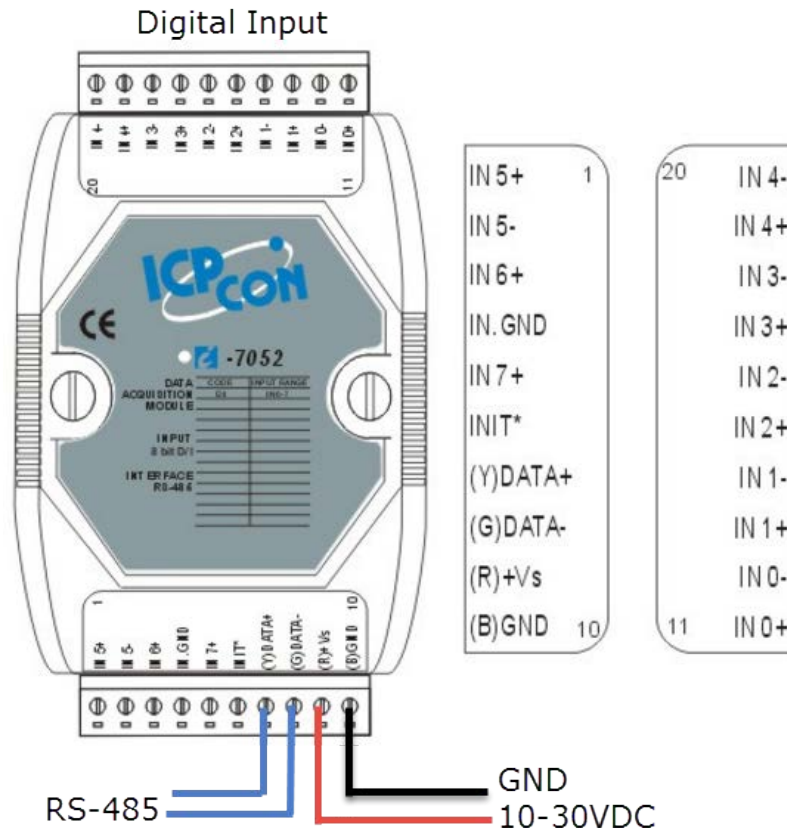
Default settings for the I-7000 DIO modules are as follows:

- **Module Address: 01**
- **DIO Type: Type 40**
- **Baud Rate: 9600 bps**
- **Checksum disabled**

5. Configuration

To install the module, follow the steps below:

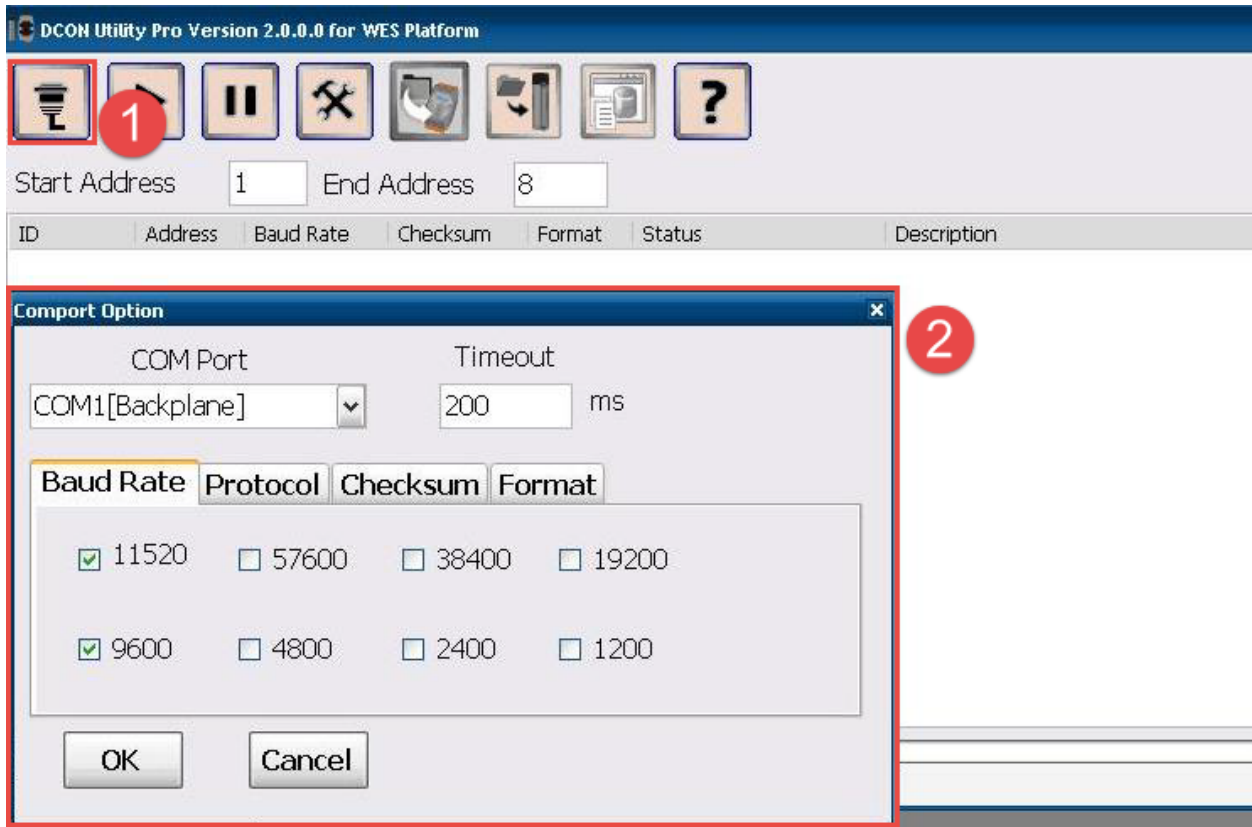
1. Connect the digital output.
2. Connect the module to the RS-485 network using the DATA+ and DATA- terminals. If the host is only equipped with an RS-232 interface, then an RS-232 to RS-485 converter will be required.
3. Connect the module to the power supply using the +Vs and GND terminals. Note that the voltage supplied should be in the range of +10 to +30V DC.





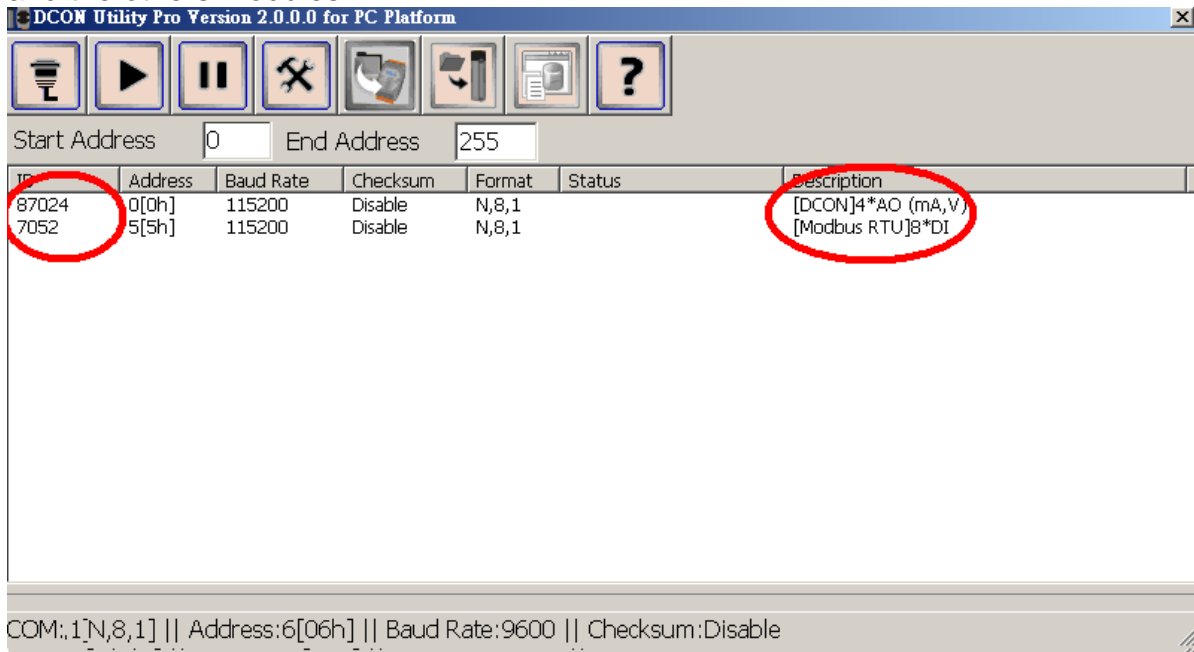
4. Open DCON utility pro

- 1 click on COM port(first icon).
- 2 It can select multi-options such as Baud Rate, Protocol, Checksum, and Format to search module. The default settings for the module can be found in Section 3. Click OK after selecting the COM port setting.

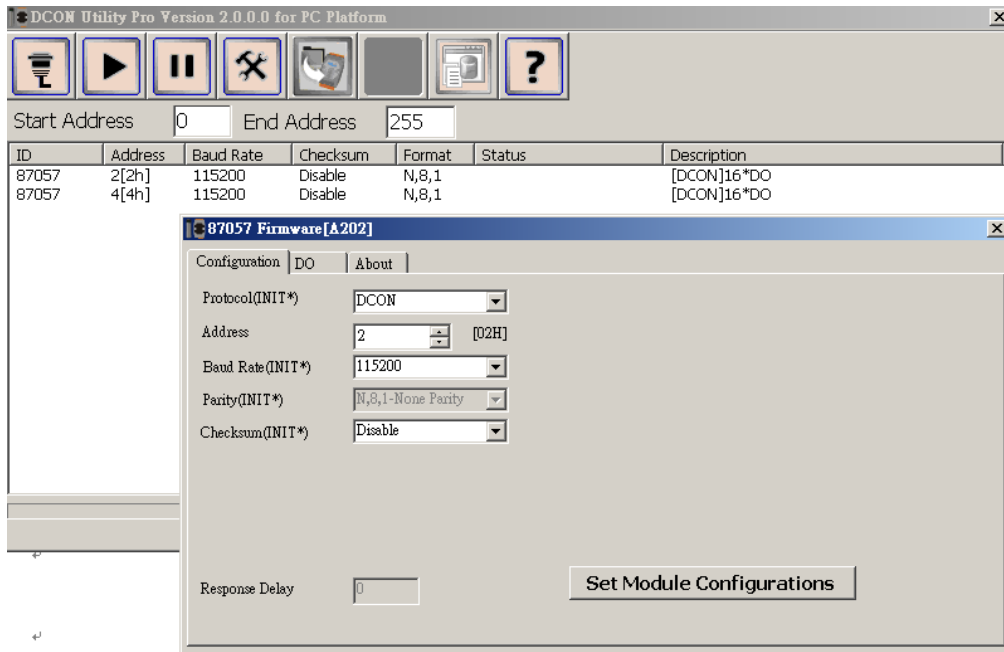




5. DCON utility pro will search for the selected COM port according the setting previously set. DCON Utility Pro supports DCON and Modbus protocol for all ICPDAS and the others modules.



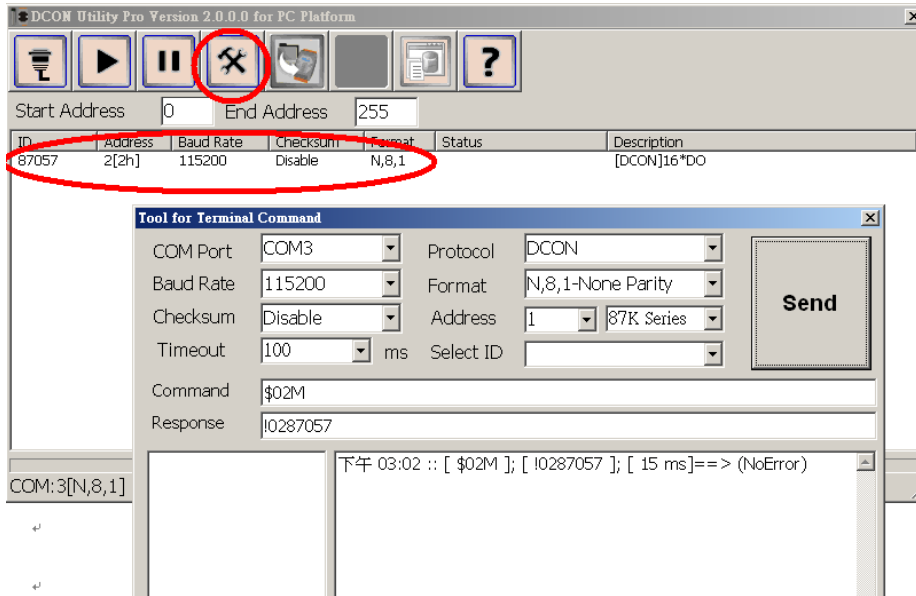
6. Configuration I/O module setting on PC



7. For I-7000 modules, DCON utility pro terminal can send command to the module. See user manual Sections 2 for details command.

Configure the module: sending the %AANNTTCCFF command. See user manual Section 2 for details.

Read data from the input channels: send either the #AA or #AAN command to the module.



8. If user doesn't know command, user can select Address and ID, it will show some refer commands as below. User can select necessary command to test or debug modules.

