



Making Data Acquisition Easy

CAGE/NCAGE CODE: 3FNFO

I-7050D

7 Ch Digital Input (Counter) and 8 Ch Digital Output Data Acquisition Module

Quick Start Guide

Product Website:

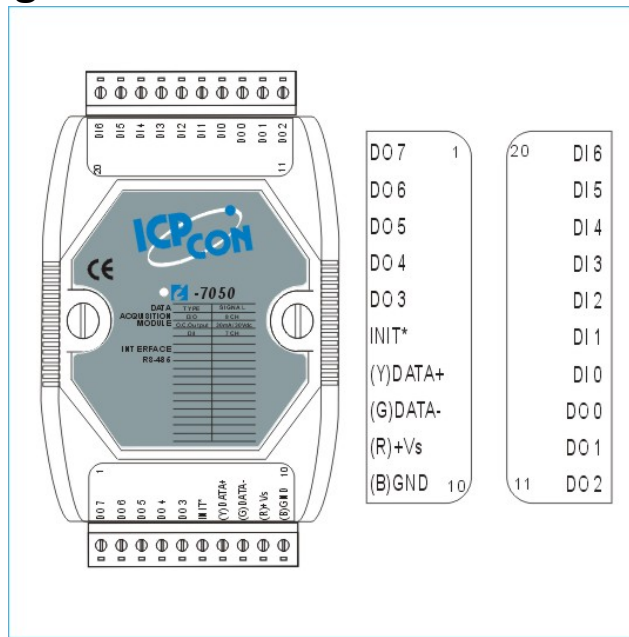
https://www.icpdas-usa.com/i_7050_d

http://www.icpdas-usa.com/dcon_utility_pro.html

1. Introduction

I-7050D is intelligently designed to provide signal conditioning system monitoring and safe value settings. I-7050D is a cost-effective solution for a wide range of valuable industrial control signals and systems. The DCON utility can help users to configure and test I-7050D Digital Input/Output modules. Plenty of library functions and demo programs are provided to let users develop programs easily under Windows, Linux and DOS operating systems. Users may mount the modules on a DIN rail, panel or wall. Modules have a screw-terminal block to connect to the signals.

2. Terminal Assignment



I-7050D - 7 Ch DI and 8 Ch DO DAQ Module- QuickStart (Nov/2017)

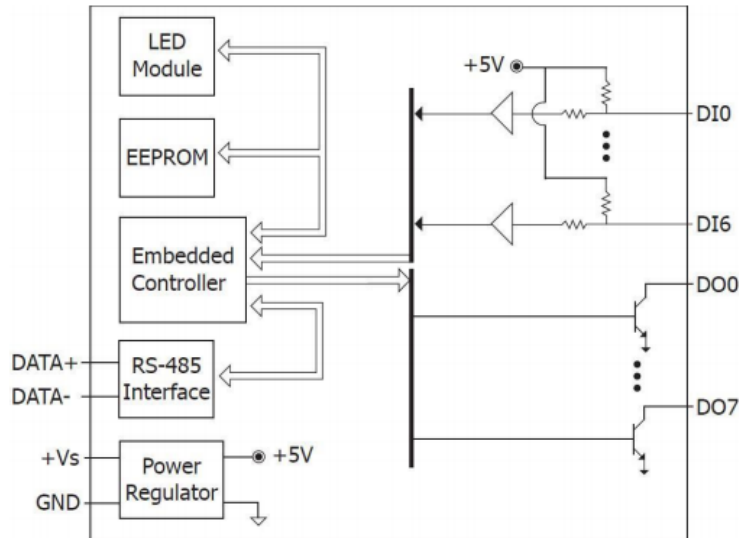
ICP DAS USA, Inc. | www.icpdas-usa.com | 1-310-517-9888 | 24309 Narbonne Ave. Suite 200. Lomita, CA 90717



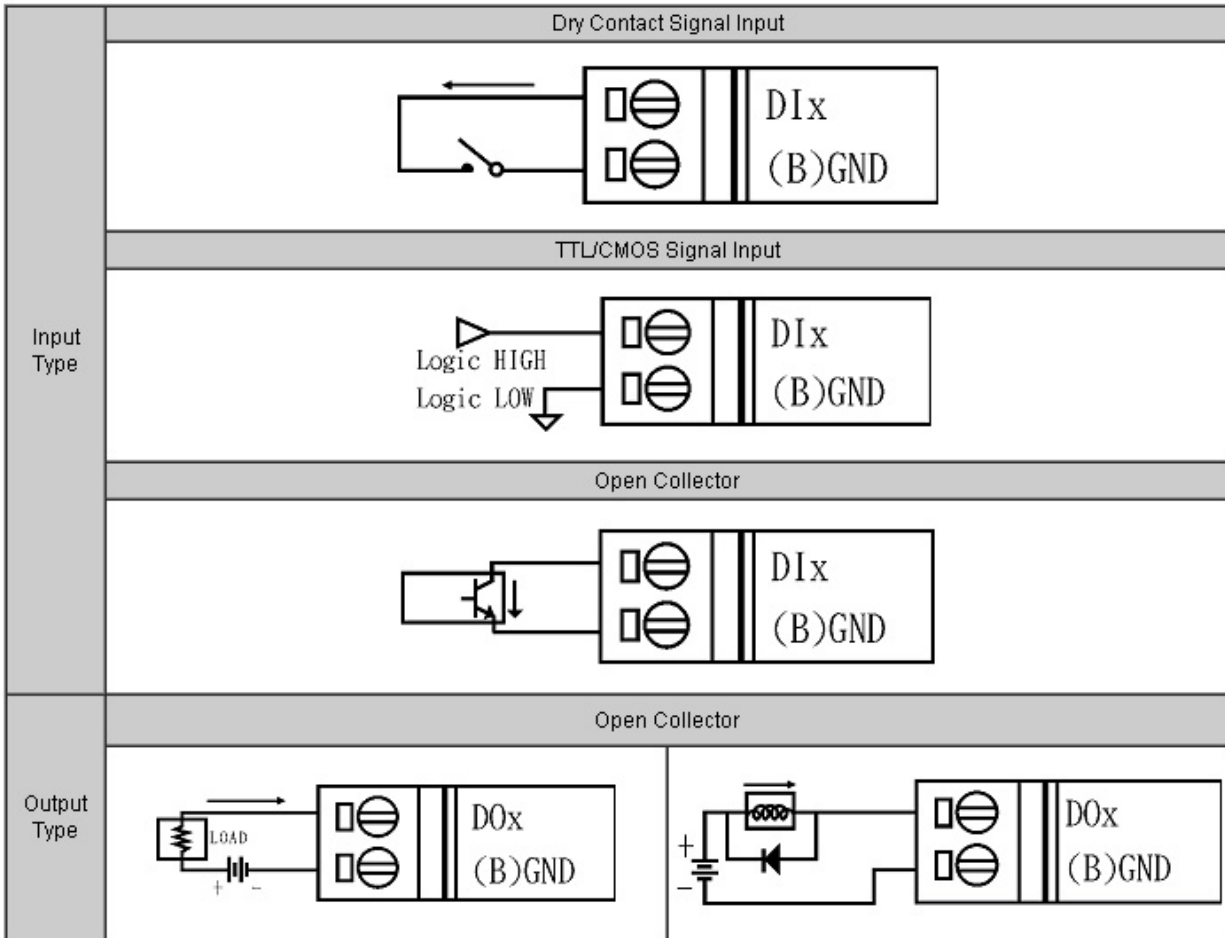
Making Data Acquisition Easy

CAGE/NCAGE CODE: 3FNFO

3. Block/ Wiring Diagram



Wire Connection



I-7050D - 7 Ch DI and 8 Ch DO DAQ Module- QuickStart (Nov/2017)

ICP DAS USA, Inc. | www.icpdas-usa.com | 1-310-517-9888 | 24309 Narbonne Ave. Suite 200. Lomita, CA 90717



Making Data Acquisition Easy

CAGE/NCAGE CODE: 3FNFO

4. Default Settings

Default settings for the I-7050/D DIO modules are as follows:

- Module Address: 01
- DIO Type: Type 40
- Baud Rate: 9600 bps
- Checksum disabled

5. Configuration

To install the module, follow the steps below:

1. Connect the analog output.
2. Connect the module to the RS-485 network using the DATA+ and DATA- terminals. If the host is only equipped with an RS-232 interface, then an RS-232 to RS-485 converter will be required.
3. Connect the module to the power supply using the +Vs and GND terminals. Note that the voltage supplied should be in the range of +10 to +30V DC.



I-7050D - 7 Ch DI and 8 Ch DO DAQ Module- QuickStart (Nov/2017)

ICP DAS USA, Inc. | www.icpdas-usa.com | 1-310-517-9888 | 24309 Narbonne Ave. Suite 200. Lomita, CA 90717



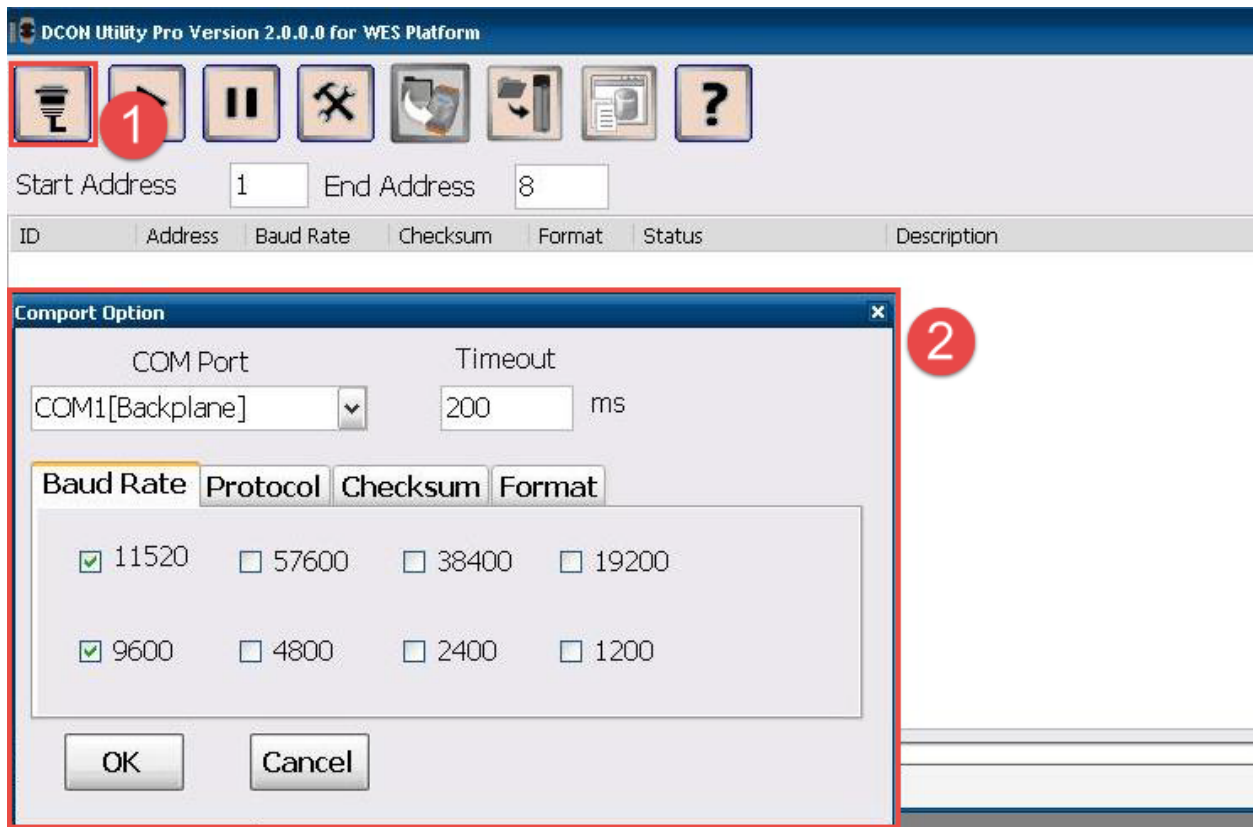
Making Data Acquisition Easy

CAGE/NCAGE CODE: 3FNFO



4. Open DCON utility pro

- 1 click on COM port(first icon).
- 2 It can select multi-options such as Baud Rate, Protocol, Checksum, and Format to search module. The default settings for the module can be found in Section 3. Click OK after selecting the COM port setting.

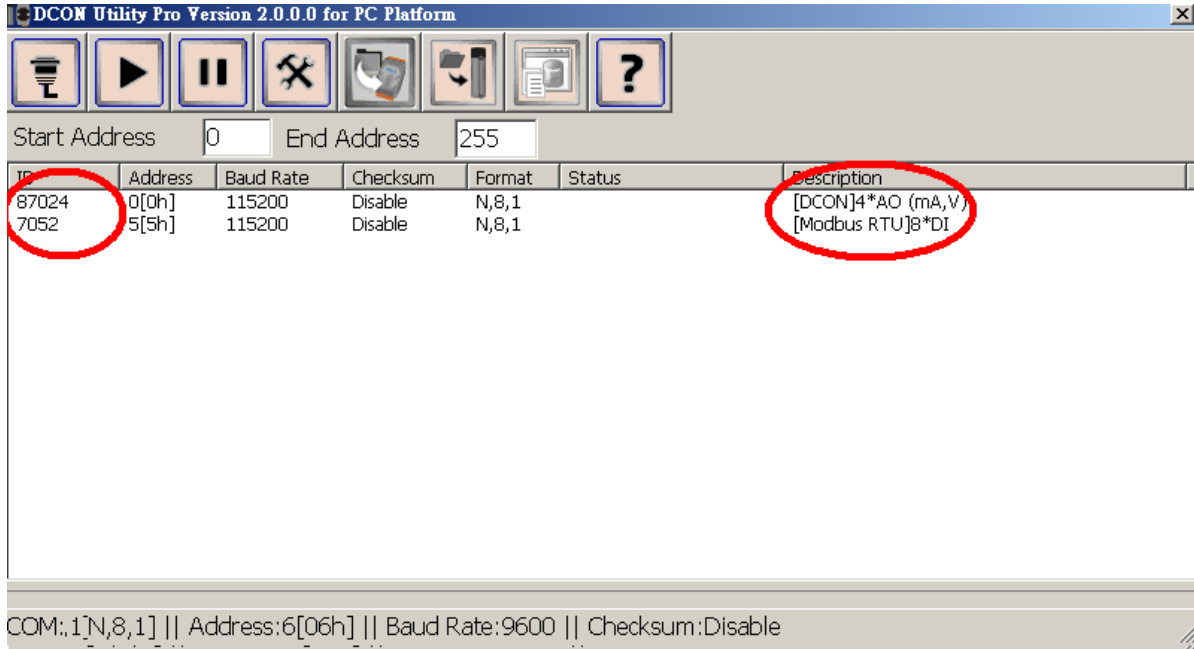




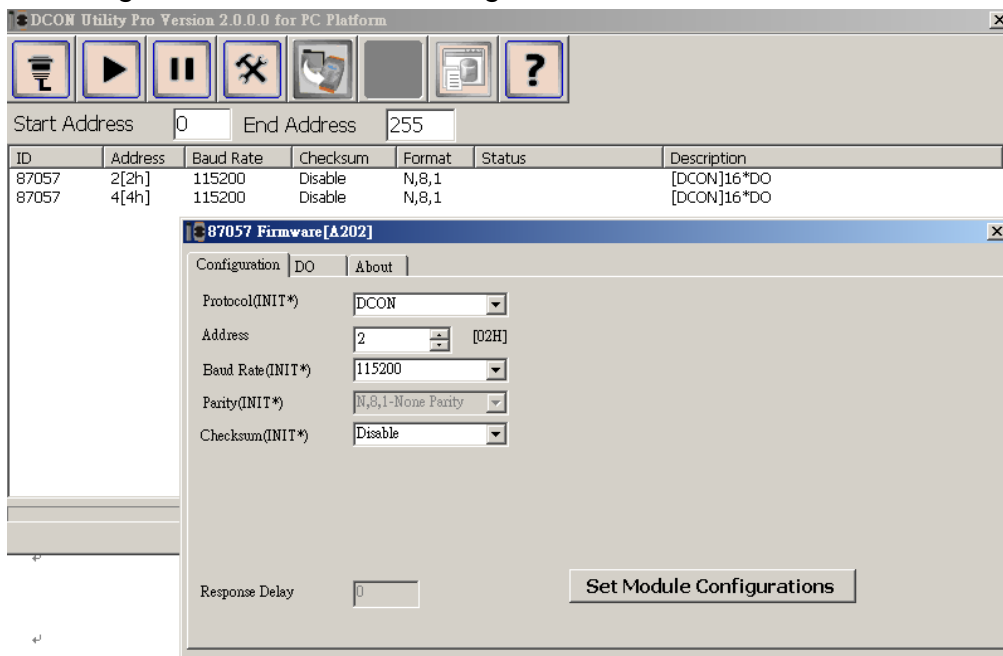
Making Data Acquisition Easy

CAGE/NCAGE CODE: 3FNFO

5. DCON utility pro will search for the selected COM port according the setting previously set. DCON Utility Pro supports DCON and Modbus protocol for all ICPDAS and the others modules.



6. Configuration I/O module setting on PC



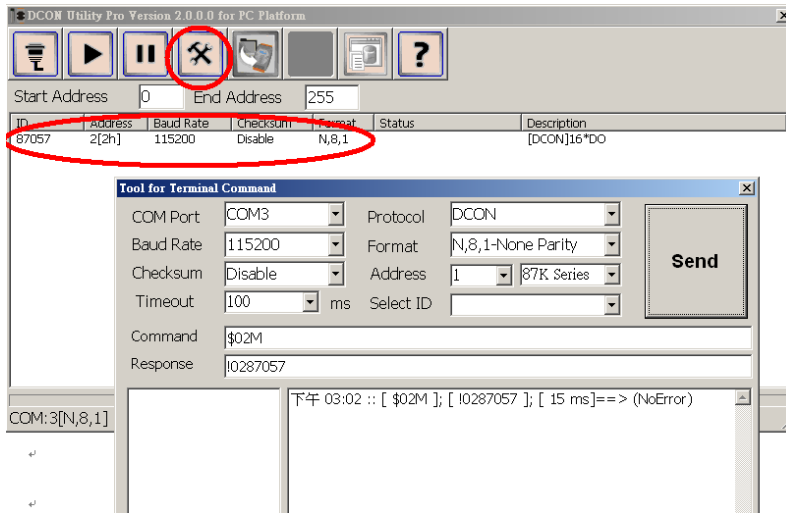


Making Data Acquisition Easy

7. For I-7000 modules, DCON utility pro terminal can send command to the module. See user manual Sections 2 for details command.

Configure the module: sending the %AANNTTCCFF command. See user manual Section 2 for details.

Read data from the input channels: send either the #AA or #AAN command to the module.



8. If user doesn't know command, user can select Address and ID, it will show some refer commands as below. User can select necessary command to test or debug modules.

