



Making Data Acquisition Easy

CAGE/NCAGE CODE: 3FNFO

# I-7042 13 Channel Digital Output Data Acquisition Module Quick Start Guide

Product Website:

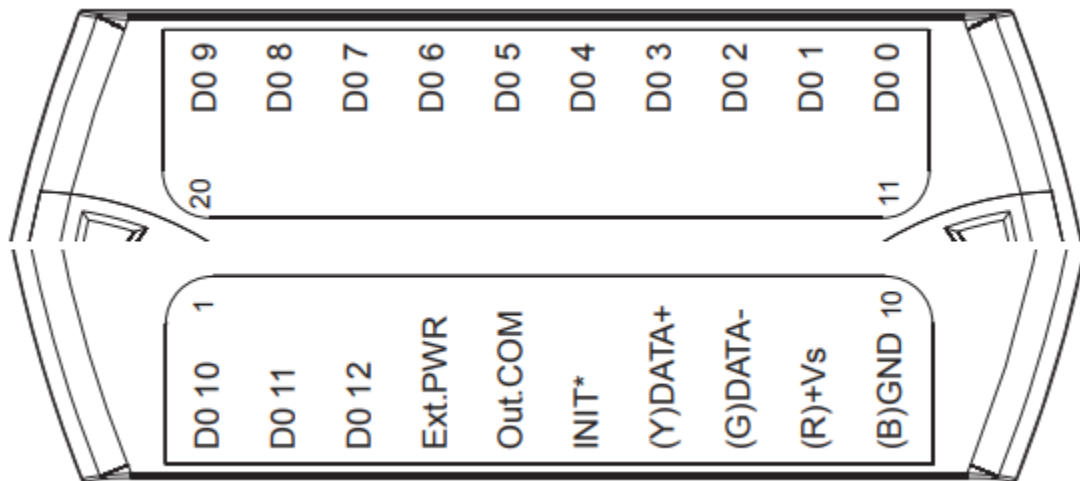
[https://www.icpdas-usa.com/i\\_7042\\_i\\_742d](https://www.icpdas-usa.com/i_7042_i_742d)

[http://www.icpdas-usa.com/dcon\\_utility\\_pro.html](http://www.icpdas-usa.com/dcon_utility_pro.html)

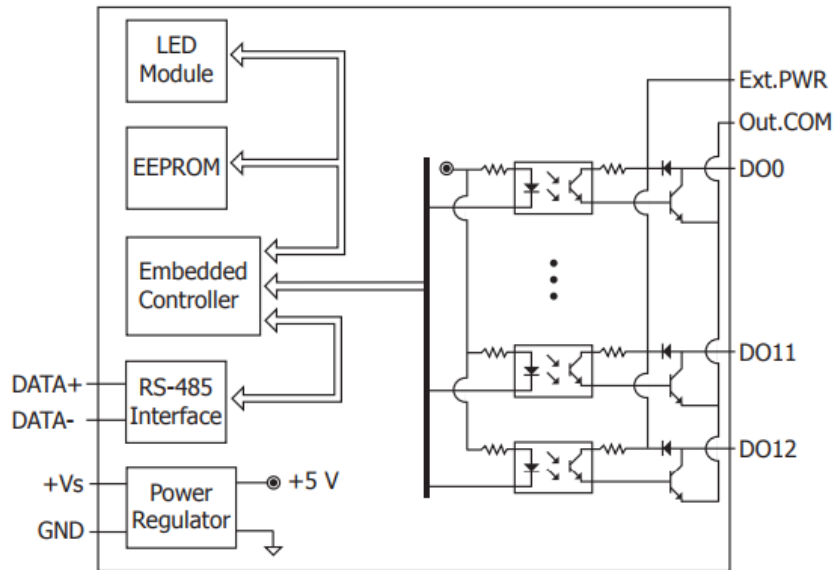
## 1. Introduction

The I-7042 offers 13 channels digital output channels, each of which features Photocouple isolation and supports sink-type output using an open collector. There are also options to enable both power-on and safe values. The I-7042D has 13 LED indicators that can be used to monitor the status of DO channels. 3750 Vrms intra-module isolation is standard.

## 2. Terminal Assignment



### 3. Block/ Wiring Diagram



I-7042/I-7042D		
Output Type	ON State Readback as 1	OFF State Readback as 0
Open Collector Output (Resistance Load)		
Open Collector Output (Inductive Load)		

### 4. Default Settings

Default settings for the I-7043 DIO modules are as follows:

- Module Address: 01
- DIO Type: Type 40
- Baud Rate: 9600 bps
- Checksum disabled



Making Data Acquisition Easy

CAGE/NCAGE CODE: 3FNFO

- o J3 set to INIT mode enabled for I-7043/43D a

## 5. Configuration

To install the module, follow the steps below:

1. Connect the analog output.
2. Connect the module to the RS-485 network using the DATA+ and DATA- terminals. If the host is only equipped with an RS-232 interface, then an RS-232 to RS-485 converter will be required.
3. Connect the module to the power supply using the +Vs and GND terminals. Note that the voltage supplied should be in the range of +10 to +30V DC.





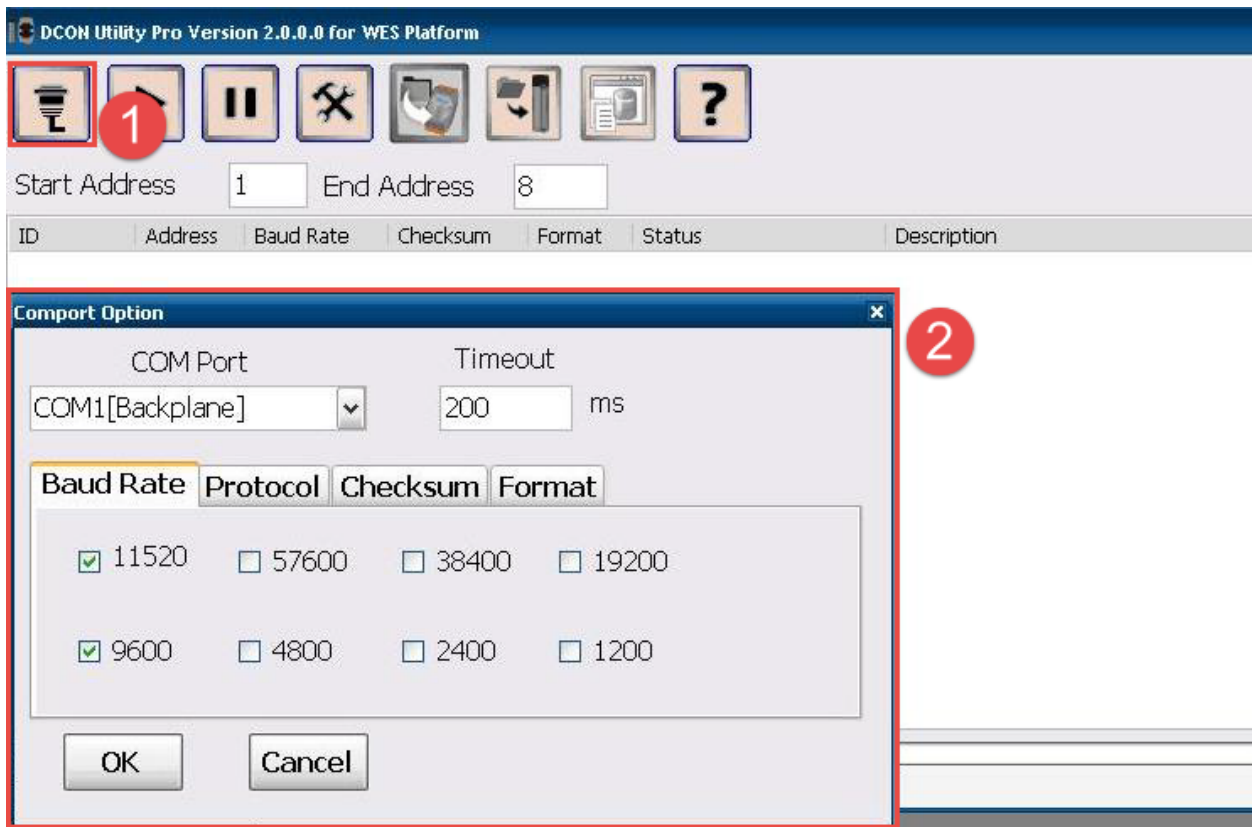
Making Data Acquisition Easy

CAGE/NCAGE CODE: 3FNFO



4. Open DCON utility pro

- 1 click on COM port(first icon).
- 2 It can select multi-options such as Baud Rate, Protocol, Checksum, and Format to search module. The default settings for the module can be found in Section 3. Click OK after selecting the COM port setting.

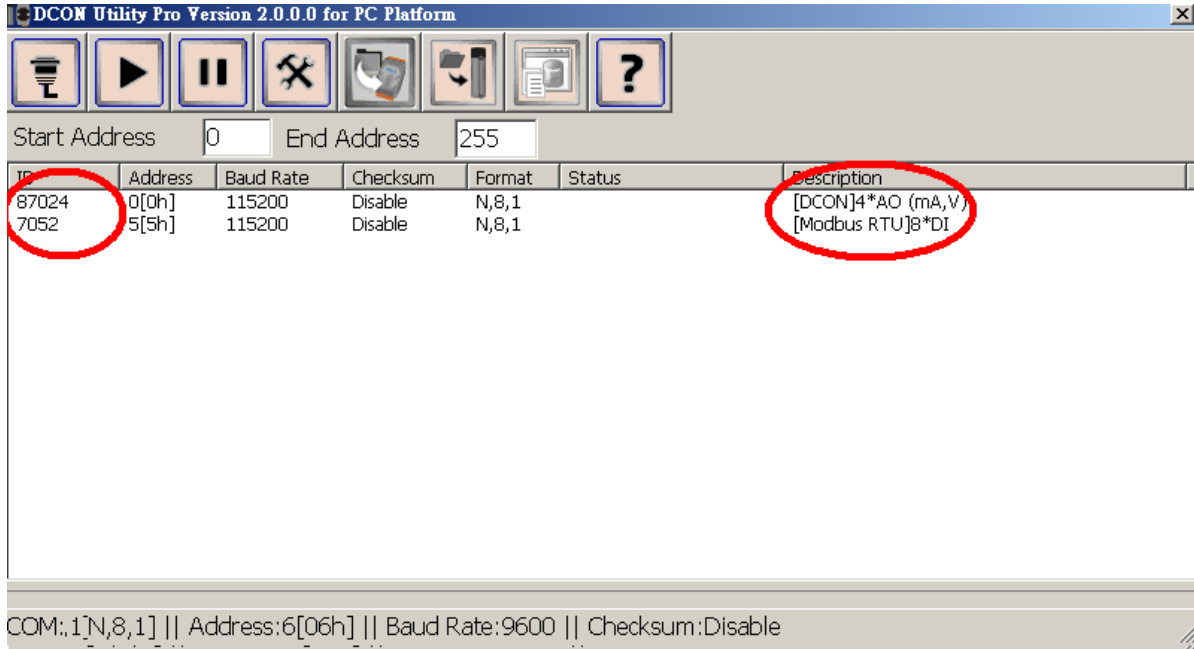




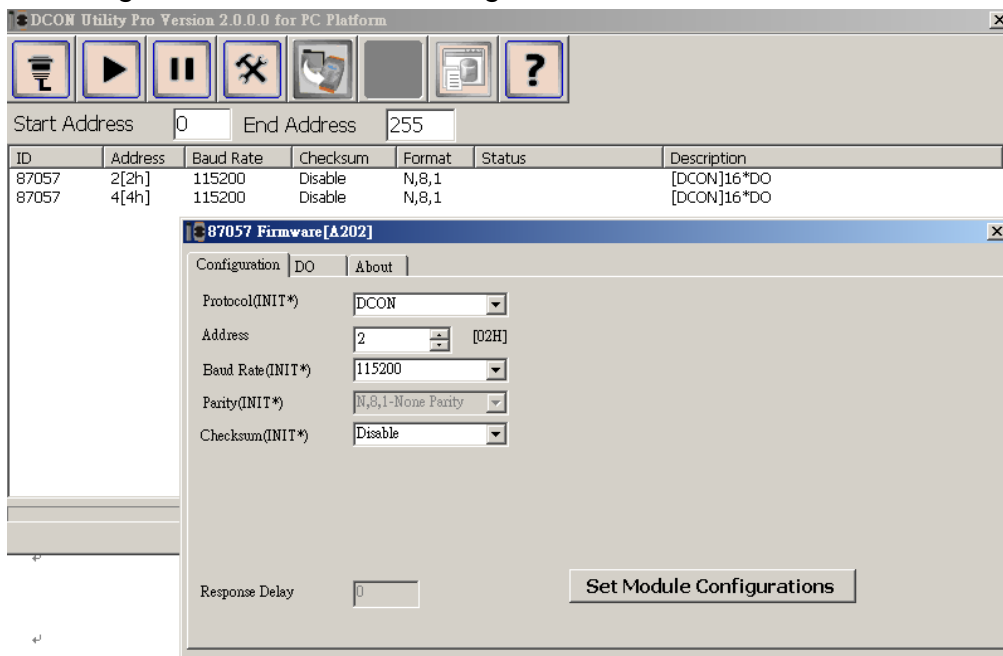
Making Data Acquisition Easy

CAGE/NCAGE CODE: 3FNFO

5. DCON utility pro will search for the selected COM port according the setting previously set. DCON Utility Pro supports DCON and Modbus protocol for all ICPDAS and the others modules.



## 6. Configuration I/O module setting on PC



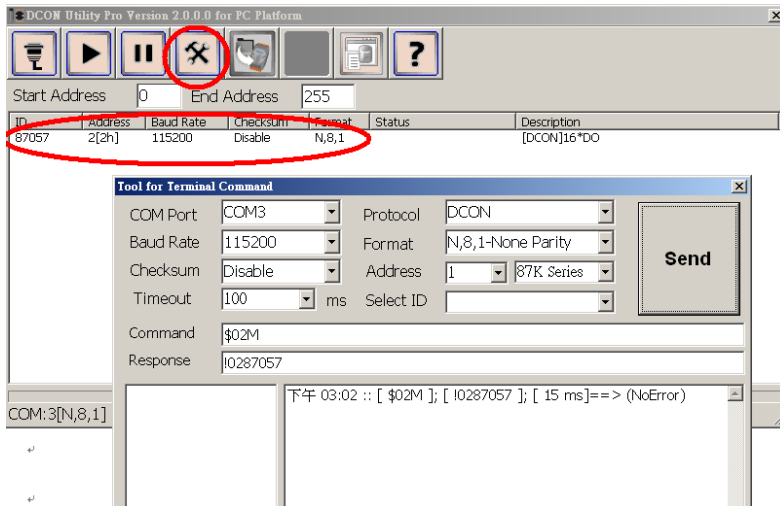


**Making Data Acquisition Easy**

7. For I-7000 modules, DCON utility pro terminal can send command to the module. See user manual Sections 2 for details command.

Configure the module: sending the %AANNTTCCFF command. See user manual Section 2 for details.

Read data from the input channels: send either the #AA or #AAN command to the module.



8. If user doesn't know command, user can select Address and ID, it will show some refer commands as below. User can select necessary command to test or debug modules.

