



Making Data Acquisition Easy

CAGE/NCAGE CODE: 3FNFO

# I-7017Z

## 10/20 Channel Analog Input Data Acquisition Module Quick Start Guide

Product Info:

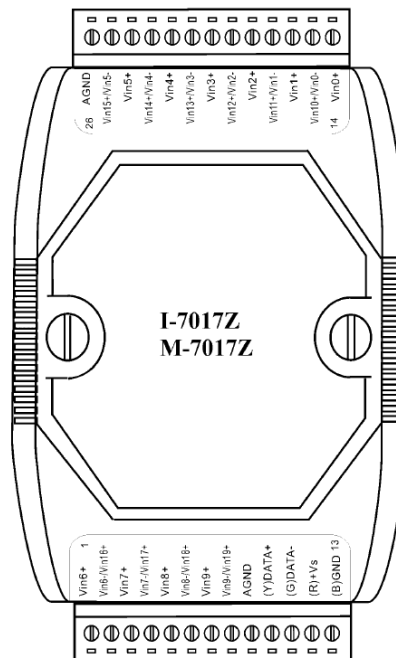
[http://www.icpdas-usa.com/i\\_7017z.html](http://www.icpdas-usa.com/i_7017z.html)

[http://www.icpdas-usa.com/dcon\\_utility\\_pro.html](http://www.icpdas-usa.com/dcon_utility_pro.html)

### 1. Introduction

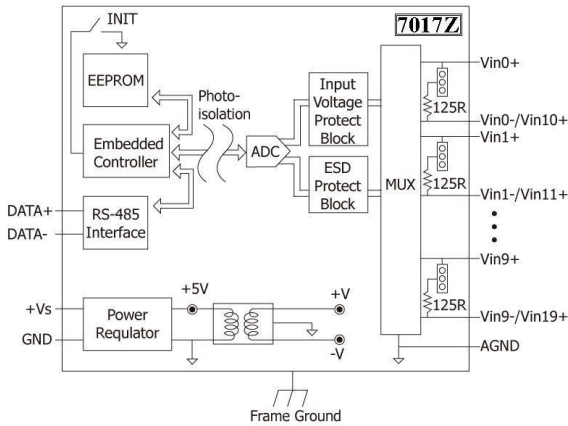
I-7017Z has software configurable channels from 10 differential channels into 20 single ended channels. Both voltage and current are accepted:  $\pm 150\text{mV}$ ,  $\pm 500\text{mV}$ ,  $\pm 1\text{V}$ ,  $\pm 5\text{V}$ ,  $\pm 10\text{V}$ ,  $\pm 20\text{mA}$ ,  $0\sim 20\text{mA}$ , and  $4\sim 20\text{mA}$ . No external resistor needed for measuring the current, all you have to do is to open the shell first and finish the setting by jumper. Measuring the current is as simple as you think! The I-7017Z also passes 240Vrms over voltage protection for differential inputs and 150Vrms over voltage protection for single ended inputs, 3000VDC intra-module isolation,  $\pm 4\text{KV}$  contact ESD protection,  $\pm 4\text{KV}$  EFT protection for power, and  $\pm 1\text{KV}$  EFT protection for RS-485. The sampling rate of I-7017Z is changeable. There are fast mode and normal mode for your consideration. Fast Mode is 60Hz with 12 bit resolution. Normal Mode is 10Hz with 16 bit Resolution.

### 2. Terminal Assignment





### 3. Block/ Wiring Diagram



Voltage Input		
	Differential Mode	Single-ended Mode
JUMPER 		
Current Input		
JUMPER 		

### 4. Default Settings

Default settings for the I-7017, I-7018 and I-7019 series modules are:

- Module address: 01
- Analog input type:
  - Type 08, -10V to 10V, for the I-7017 and I-7019 series
  - Type 1B, -150V to +150V for the I-7017R-A5
  - Type 0D, -20mA to +20mA for the I-7017C, I-7017FC and I-7017RC
  - Type 05, -2.5V to 2.5V, for the I-7018 series
- Baud Rate: 9600 bps
- Checksum disabled
- Engineering unit format
- Filter set at 60Hz rejection (Not used by the I-7019R, firmware version B2.6 and earlier)
- Fast mode for I-7017F and I-7017FC
- JP1 set to single-ended mode for the I-7017, I-7017F, I-7018, I-7018P and I-7018BL.



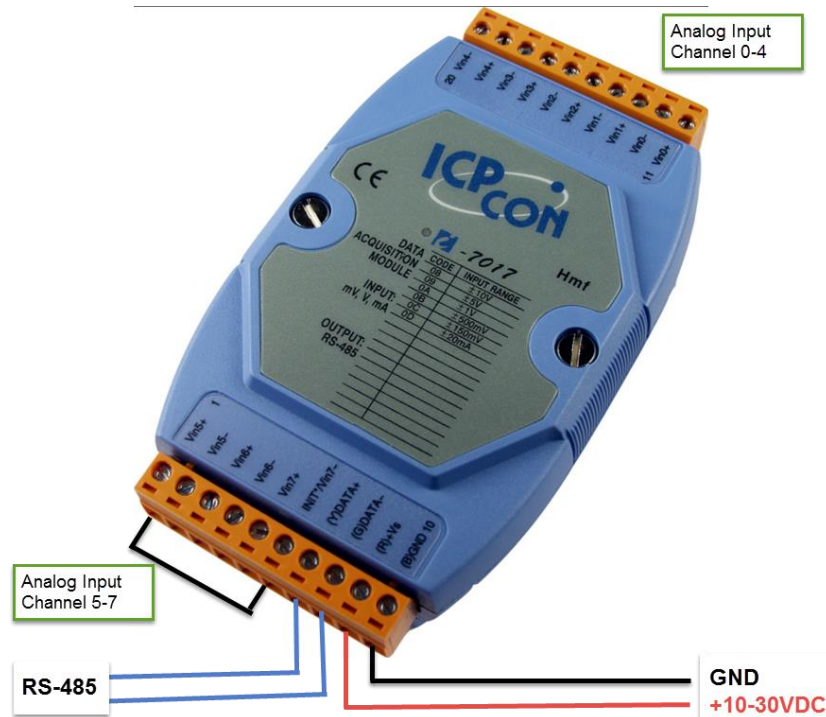
Making Data Acquisition Easy

CAGE/NCAGE CODE: 3FNFO

## 5. Configuration

To install the module, follow the steps below:

1. Connect the analog input.
2. Connect the module to the RS-485 network using the DATA+ and DATA- terminals. If the host is only equipped with an RS-232 interface, then an RS-232 to RS-485 converter will be required.
3. Connect the module to the power supply using the +Vs and GND terminals. Note that the voltage supplied should be in the range of +10 to +30V DC.





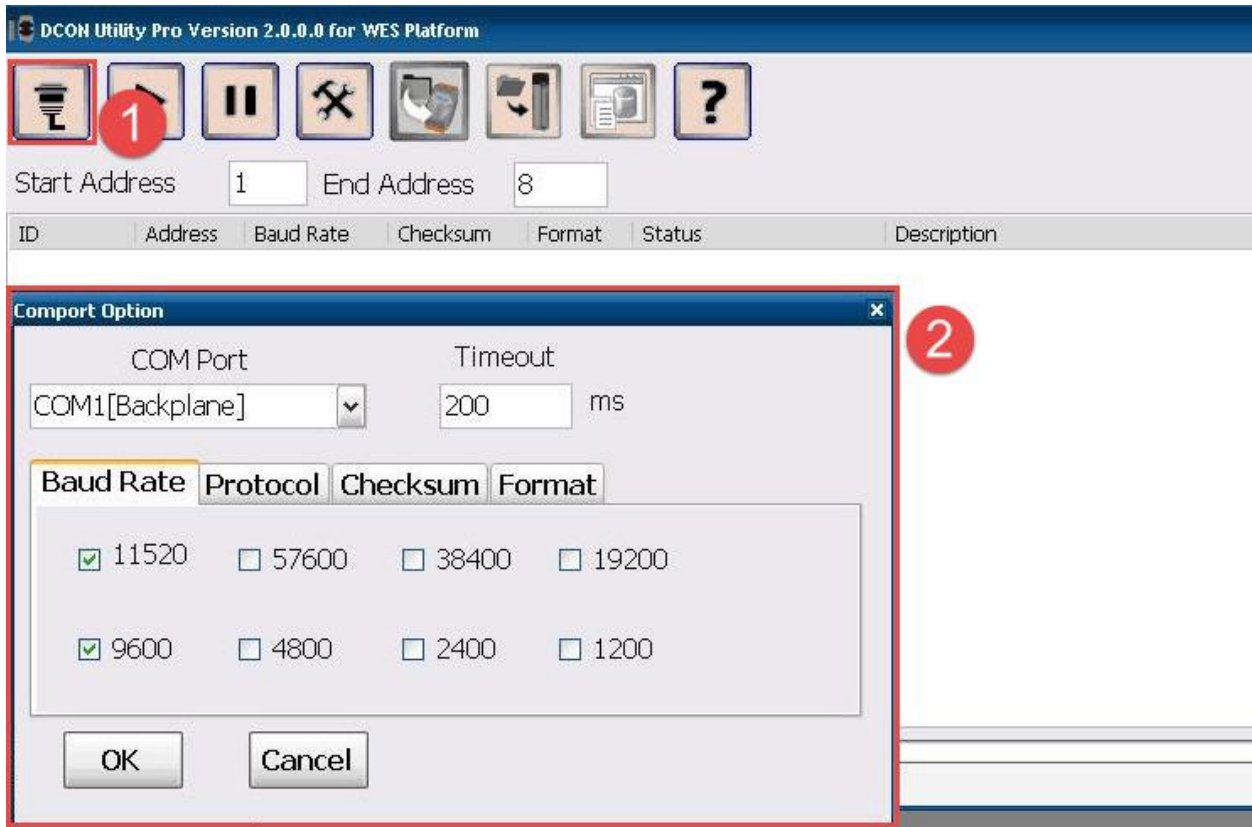
Making Data Acquisition Easy

CAGE/NCAGE CODE: 3FNFO



4. Open DCON utility pro

- 1 click on COM port(first icon).
- 2 It can select multi-options such as Baud Rate, Protocol, Checksum, and Format to search module. The default settings for the module can be found in Section 3. Click OK after selecting the COM port setting.





Making Data Acquisition Easy

CAGE/NCAGE CODE: 3FNFO

5. DCON utility pro will search for the selected COM port according the setting previously set. DCON Utility Pro supports DCON and Modbus protocol for all ICPDAS and the others modules.

DCON Utility Pro Version 2.0.0.0 for PC Platform

Start Address: 0 End Address: 255

ID	Address	Baud Rate	Checksum	Format	Status	Description
87024	0[0h]	115200	Disable	N,8,1		[DCON]4*AO (mA,V)
7052	5[5h]	115200	Disable	N,8,1		[Modbus RTU]8*DI

COM:1[N,8,1] || Address:6[06h] || Baud Rate:9600 || Checksum:Disable

## 6. Configuration I/O module setting on PC

DCON Utility Pro Version 2.0.0.0 for PC Platform

Start Address: 0 End Address: 255

ID	Address	Baud Rate	Checksum	Format	Status	Description
87057	2[2h]	115200	Disable	N,8,1		[DCON]16*DO
87057	4[4h]	115200	Disable	N,8,1		[DCON]16*DO

**87057 Firmware[A202]**

Configuration | DO | About

Protocol(INIT\*) | DCON

Address | 2 [02H]

Baud Rate(INIT\*) | 115200

Parity(INIT\*) | N,8,1-None Parity

Checksum(INIT\*) | Disable

Response Delay | 0

Set Module Configurations

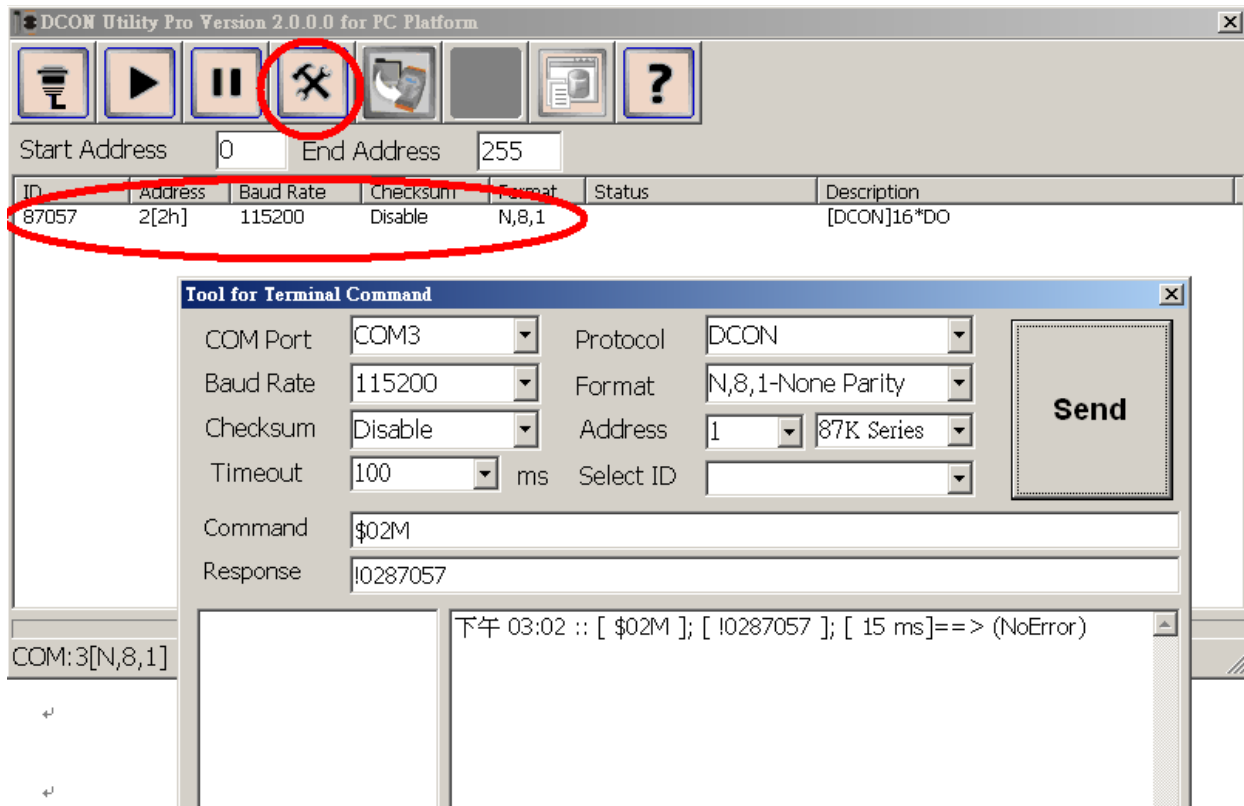


**Making Data Acquisition Easy**

7. For I-7000 modules, DCON utility pro terminal can send command to the module. See user manual Sections 2 for details command.

Configure the module: sending the %AANNTTCCFF command. See user manual Section 2 for details. To configure the I-7017Z, I-7018Z and I-7019 series, the \$AA7CiRrr command must also be sent.

Read data from the input channels: send either the #AA or #AAN command to the module.





**Making Data Acquisition Easy**

CAGE/NCAGE CODE: 3FNFO

8. If user doesn't know command, user can select Address and ID, it will show some refer commands as below. User can select necessary command to test or debug modules.

