



Making Data Acquisition Easy

CAGE/NCAGE CODE: 3FNFO

# I-7017C

## 8-channel Analog Input Data Acquisition Module, Communicable over RS-485 Quick Start Guide

Product Website:

[https://www.icpdas-usa.com/i\\_7017c.html](https://www.icpdas-usa.com/i_7017c.html)

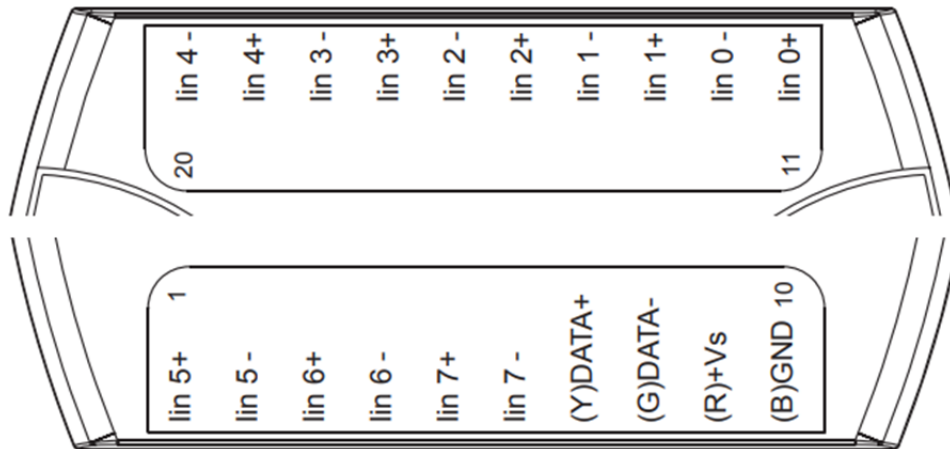
[http://www.icpdas-usa.com/dcon\\_utility\\_pro.html](http://www.icpdas-usa.com/dcon_utility_pro.html)

### 1. Introduction

I-7017C is a cost-effective solution for a wide range of valuable industrial control signals and systems. The DCON utility can help users to configure and test the I-7017C Analog Input Modules. Plenty of library functions and demo programs are provided to let users develop programs easily under Windows, Linux and DOS operating systems. Users may mount the modules on a DIN rail, panel or wall. Modules have a screw-terminal block to connect to the signals. I-7017C comes with FREE EZ Data Logger Software. I-7017C can be used with LabView and SCADA software.

### 2. Terminal Assignment

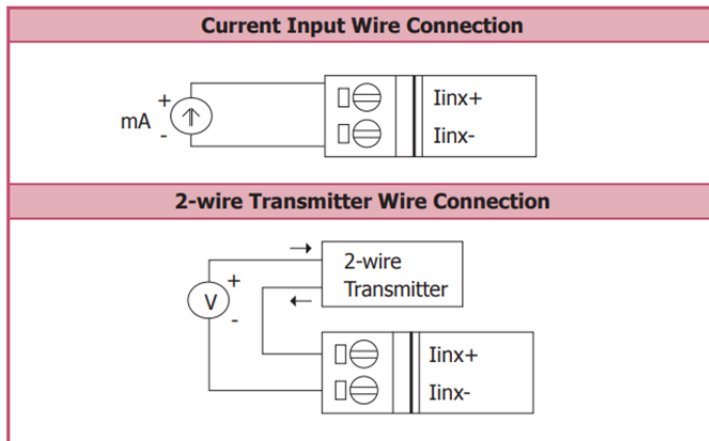
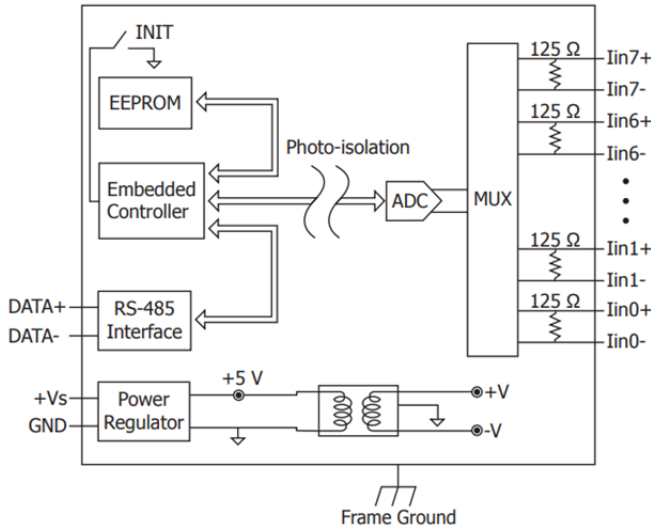
### 3. Block/ Wiring Diagram





Making Data Acquisition Easy

CAGE/NCAGE CODE: 3FNFO



## 4. Default Settings

Default settings for the I-7017, I-7018 and I-7019 series modules are:

- Module address: 01
- Analog input type:
  - Type 08, -10V to 10V, for the I-7017 and I-7019 series
  - Type 1B, -150V to +150V for the I-7017R-A5
  - Type 0D, -20mA to +20mA for the I-7017C, I-7017FC and I-7017RC
  - Type 05, -2.5V to 2.5V, for the I-7018 series
- Baud Rate: 9600 bps
- Checksum disabled
- Engineering unit format
- Filter set at 60Hz rejection
- JP1 set to single-ended mode for the I-7017, I-7017F, I-7018, I-7018P and I-7018BL.

---

I-7017C 8-channel AI DAQ Module - QuickStart (Mar/2019)

ICP DAS USA, Inc. | [www.icpdas-usa.com](http://www.icpdas-usa.com) | 1-310-517-9888 | 24309 Narbonne Ave. Suite 200. Lomita, CA 90717



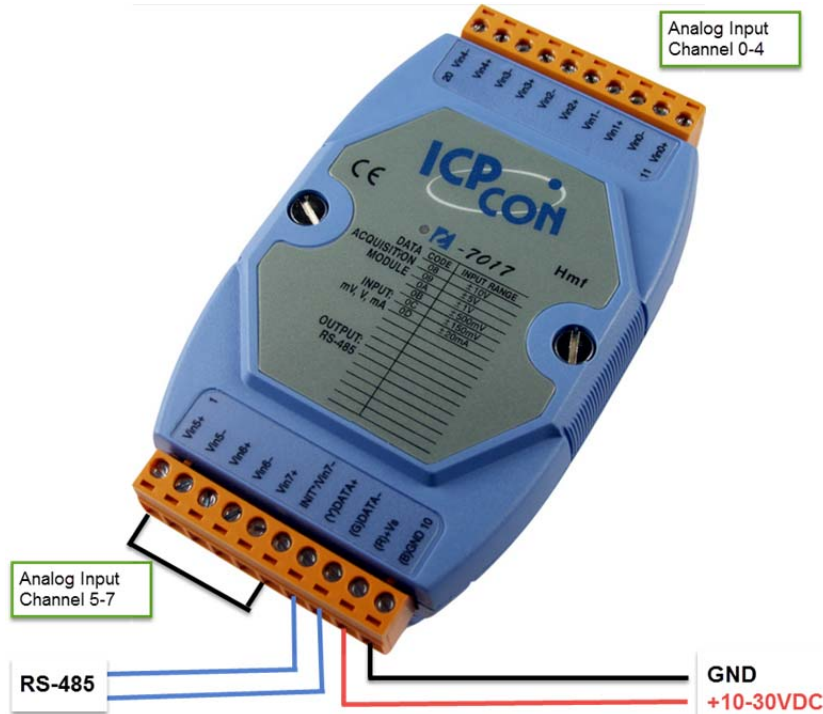
Making Data Acquisition Easy

CAGE/NCAGE CODE: 3FNFO

## 5. Configuration

To install the module, follow the steps below:

1. Connect the analog input.
2. Connect the module to the RS-485 network using the DATA+ and DATA- terminals. If the host is only equipped with an RS-232 interface, then an RS-232 to RS-485 converter will be required.
3. Connect the module to the power supply using the +Vs and GND terminals. Note that the voltage supplied should be in the range of +10 to +30V DC.





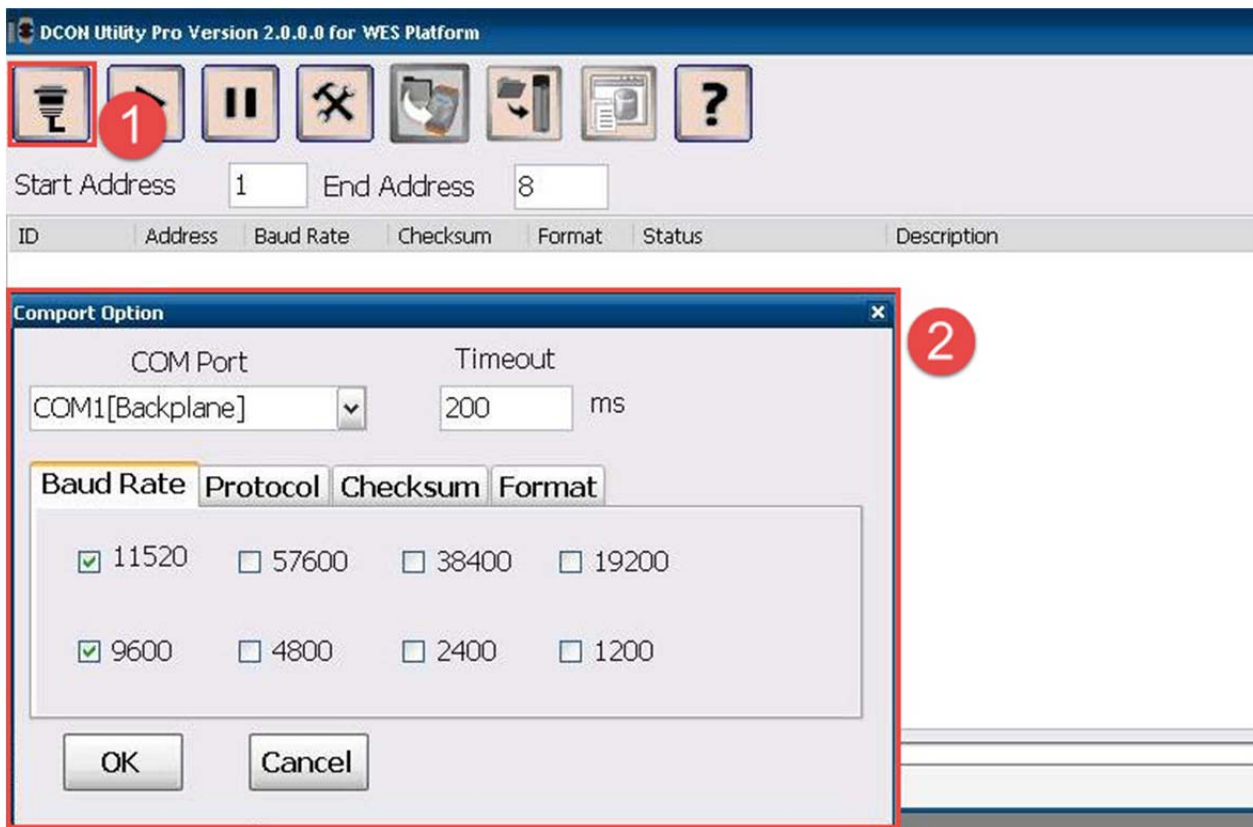
Making Data Acquisition Easy

CAGE/NCAGE CODE: 3FNFO



4. Open DCON utility pro

- 1 click on COM port(first icon).
- 2 It can select multi-options such as Baud Rate, Protocol, Checksum, and Format to search module. The default settings for the module can be found in Section 3. Click OK after selecting the COM port setting.

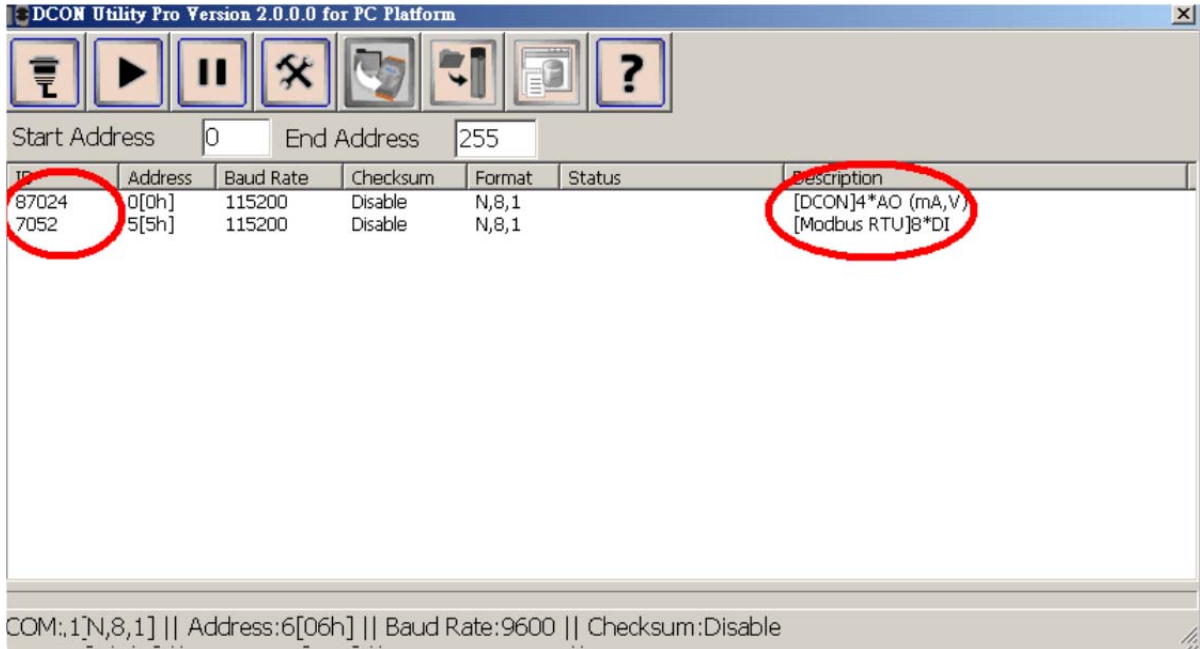




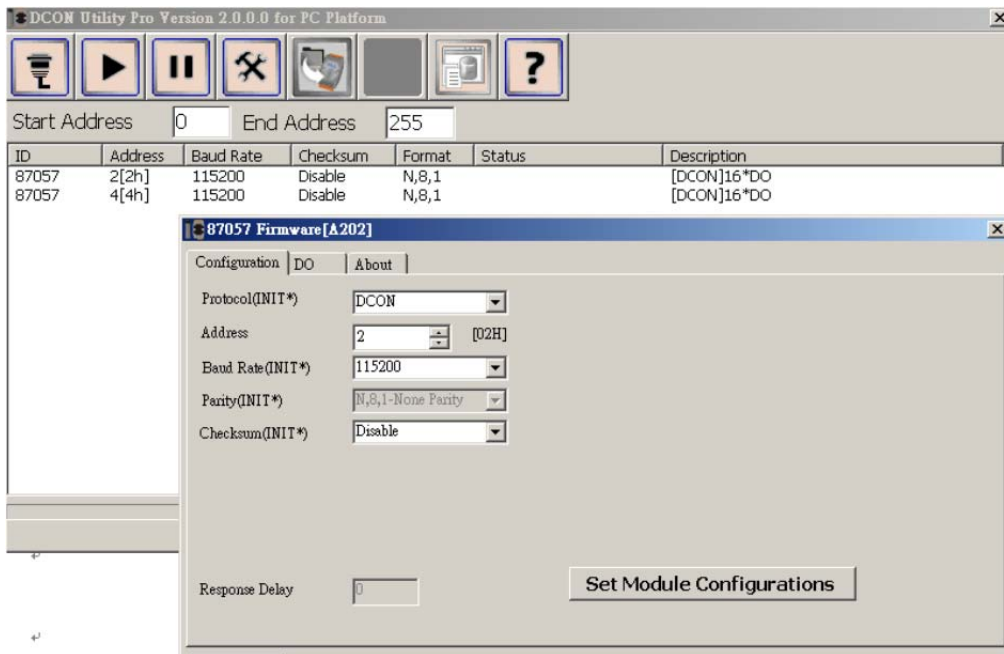
Making Data Acquisition Easy

CAGE/NCAGE CODE: 3FNFO

5. DCON utility pro will search for the selected COM port according the setting previously set. DCON Utility Pro supports DCON and Modbus protocol for all ICPDAS and the others modules.



6. Configuration I/O module setting on PC





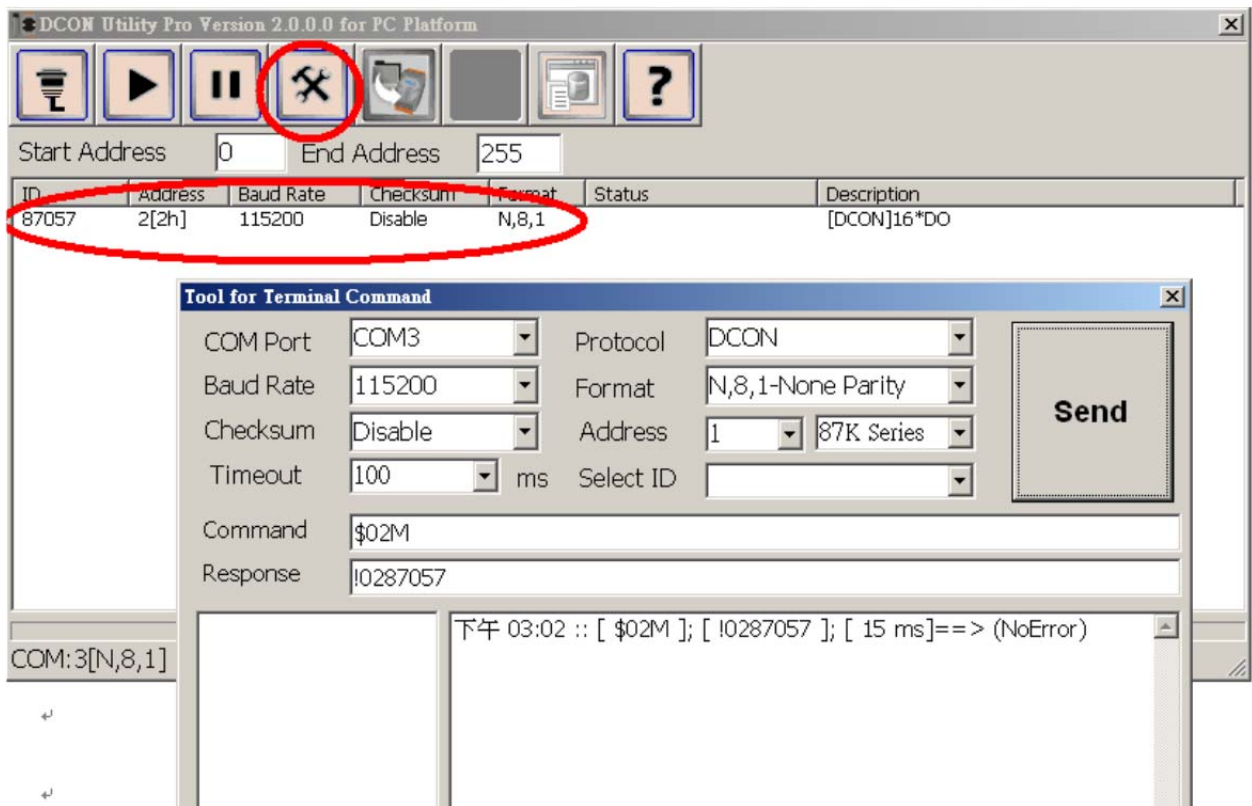
**Making Data Acquisition Easy**

CAGE/NCAGE CODE: 3FNFO

7. For I-7000 modules, DCON utility pro terminal can send command to the module. See user manual Sections 2 for details command.

Configure the module: sending the %AANNTTCCFF command. See user manual Section 2 for detail commands. To configure the I-7017Z, I-7018Z and I-7019 series, the \$AA7CiRrr command must also be sent.

Read data from the input channels: send either the #AA or #AAN command to the module.





Making Data Acquisition Easy

8. If user doesn't know the command, user can select Address and ID, it will show some refer commands as below. User can select necessary command to test or debug modules.

