



Making Data Acquisition Easy

CAGE/NCAGE CODE: 3FNFO

DB-24R/24

24-Channel Relay Output Board

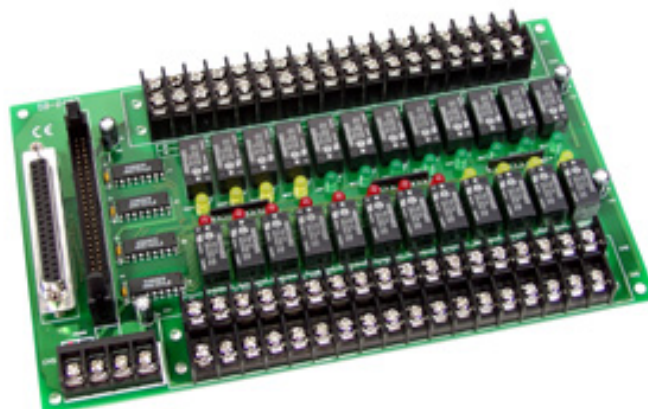
Quick Start Guide

Product Website:

https://www.icpdas-usa.com/db_24r_24.html

1. Introduction

The DB-24R / DB-24RD, 24-channel Relay Output Board, consists of 24 form c relays for efficient switch of load by programmed control. The DB-24R can be connected to DIO-24, DIO-48, DIO-D96, DIO-144, PIO-D144, PIO-D96 and PIO-D48 and any other OPTO-22 compatible Digital I/O board the relays are energized by apply 5 volt signal to the appropriate relay channel on the 50-pin header or 37-pin D-sub connector (DB-24RD). Twenty-four enunciator LEDs, one for each relay, light when their associated relay is activated. This board provides a screw terminal for external power supply.

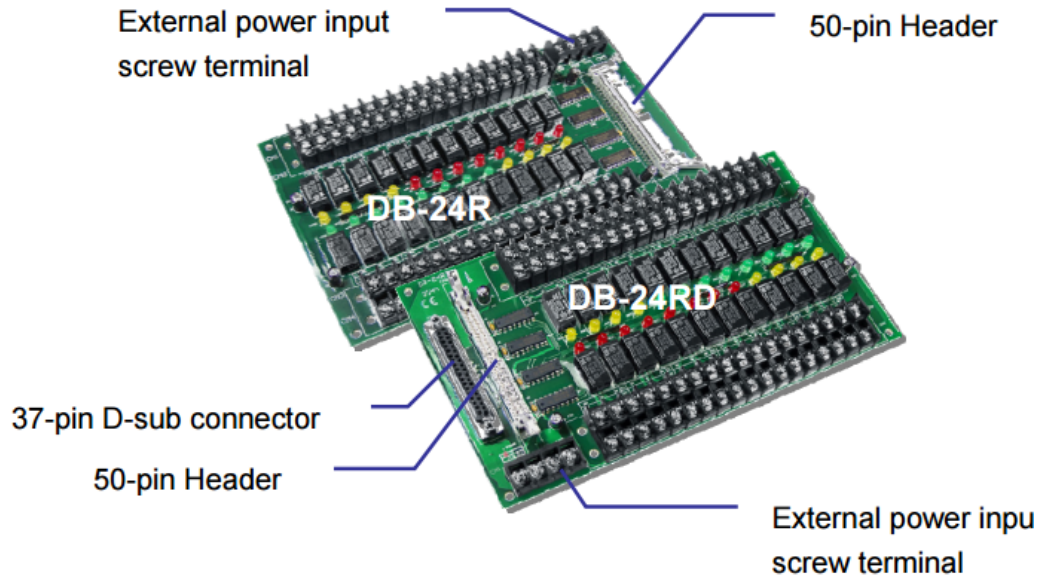




Making Data Acquisition Easy

CAGE/NCAGE CODE: 3FNFO

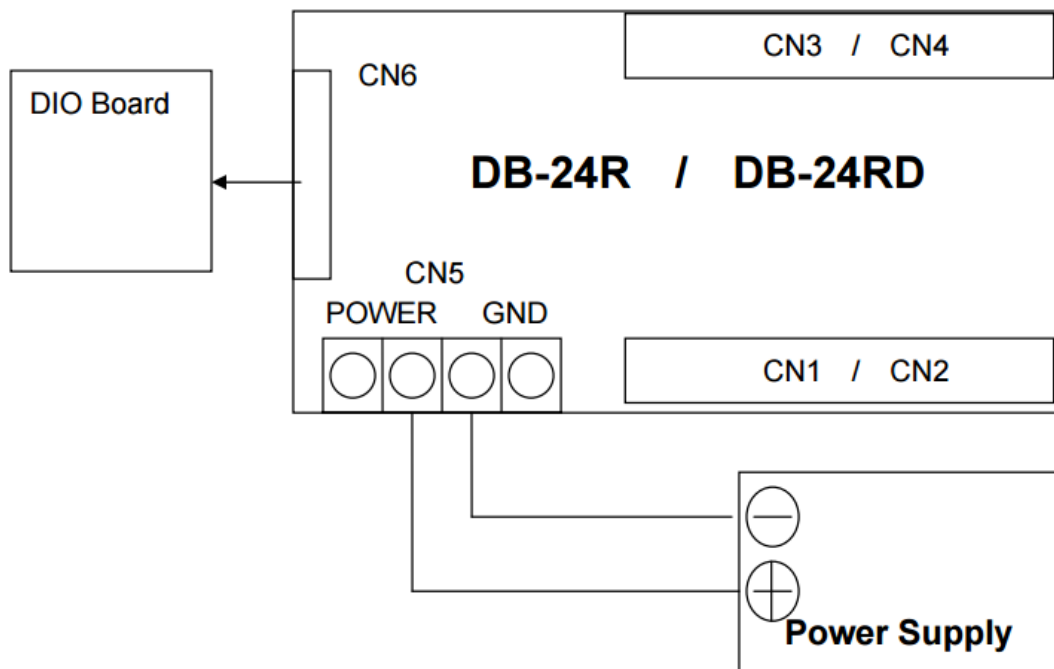
2. Layout



DB-24R and DB-24RD support external power supply only.

DB-24R/12 V, DB-24RD/12 V for DC 12 V external power supply

DB-24R/12 V, DB-24RD/24 V for DC 24 V external power supply





Making Data Acquisition Easy

CAGE/NCAGE CODE: 3FNFO

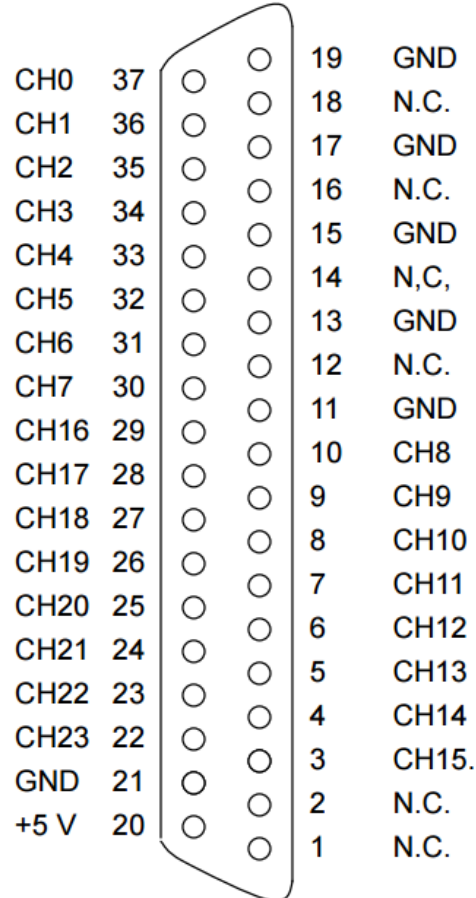
3. Pin Assignment

CN6: OPTO-22 50-Pin Header Pin assignment for DB-24R and DB-24RD

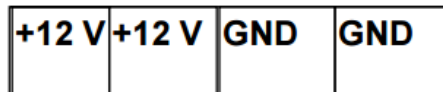
GND	50	○	○	49	+5 V input
GND	48	○	○	47	CH0
GND	46	○	○	45	CH1
GND	44	○	○	43	CH2
GND	42	○	○	41	CH3
GND	40	○	○	39	CH4
GND	38	○	○	37	CH5
GND	36	○	○	35	CH6
GND	34	○	○	33	CH7
GND	32	○	○	31	CH8
GND	30	○	○	29	CH9
GND	28	○	○	27	CH10
GND	26	○	○	25	CH11
GND	24	○	○	23	CH12
GND	22	○	○	21	CH13
GND	20	○	○	19	CH14
GND	18	○	○	17	CH15
GND	16	○	○	15	CH16
GND	14	○	○	13	CH17
GND	12	○	○	11	CH18
GND	10	○	○	9	CH19
GND	8	○	○	7	CH20
GND	6	○	○	5	CH21
GND	4	○	○	3	CH22
GND	2	○	○	1	CH23

CN7: 37-pin D-sub connector

Pin-Assignment for DB-24RD only



CN5: External Power Connector



**Note: Input DC+12 V power for optional 12 V version
Input DC+24 V power for optional 24 V version**



Making Data Acquisition Easy

CAGE/NCAGE CODE: 3FNFO

CN 1 /CN 2 : Screwing terminal

CH 12	CH 14	CH 16	CH 18	CH 20	CH 22
CH 13	CH 15	CH 17	CH 19	CH 21	CH 23

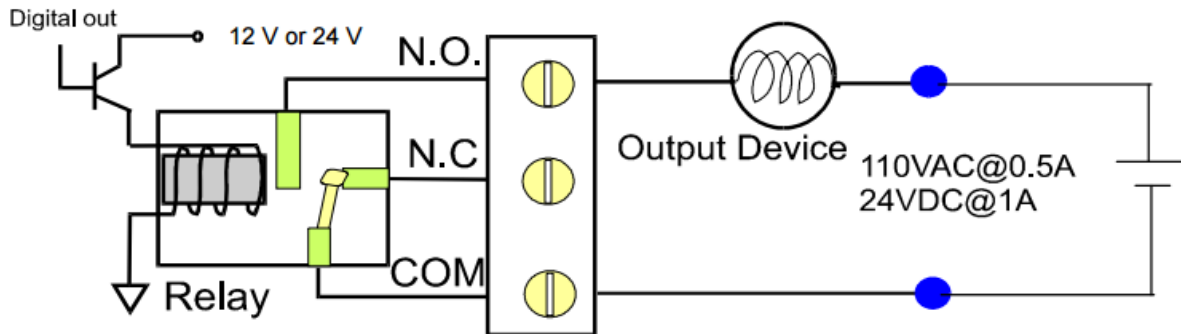
CN 3 / CN 4 : Screwing terminal

CH 0	CH 2	CH 4	CH 6	CH 8	CH 10
CH 1	CH 3	CH 5	CH 7	CH 9	CH 11

Each Channel

CH 0~23		
MC(common)	NC(normal close)	NO(normal open)

Form C Relay





Making Data Acquisition Easy

CAGE/NCAGE CODE: 3FNFO

4. Dimension

